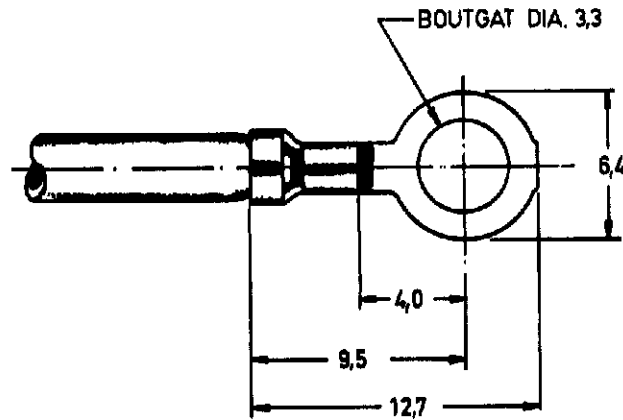


DIMENSIONS IN (MM) DO NOT SCALE PRINT

NUMBER
C-160189-H

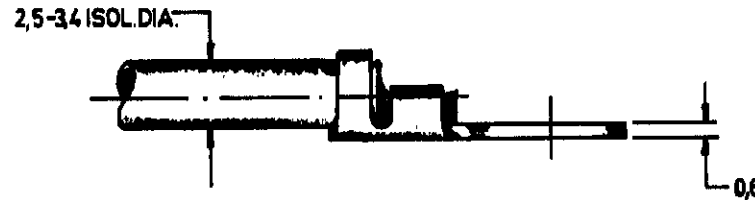
LTR.	REVISION RECORD	DR.	CHK.	DATE
A1	REVISED PER ECO-09-026346	KK	AEG	25NOV09

NOTE;
1 OBSOLETE PARTS: OBSOLETE CIS STREAMLINING PER D.RENAUD/D.SINISI



BESTELNR.	MATERIAL	FINISH
160189-1	N.S.78 (DIN. 17660)	BLANK
160189-2	N.S.78 (DIN. 17660)	VERTIND
160189-3	POSPOR BRONS	BLANK
160189-4	POSPOR BRONS	VERTIND
160189-5	N.S.77 (DIN. 17660)	VERZILVERD

1 OBSOLETE



CUSTOMER PRINT
FOR REFERENCE ONLY

©1963 BY AMP Holland N.Y. ALL RIGHTS RESERVED. AMP PRODUCTS COVERED BY PATENTS AND/OR PATENTS PENDING.

-9	-8	-7	-6	-5	-4	-3	-2	-1	QWS SIZE	NUMBER	NAME	REMARKS	ITEM NO.
										ZIE TABEL	HEAT TREAT	FINISH	ZIE TABEL
										AMP	DR. G. BRANDEZ 15.12.63	DATE 15.12.63	DATE REL 15.12.63
										AMP-HOLLAND N.Y.	TYPE A. M.	PRINT DIST	LOC H
										1-HERTOGENBOSCH HOLLAND	SIZE A	NUMBER C-160189-H	REV A1
										SCALE 05-1,43 mm	CMA	NAME RINGTONG MET ISOLATIE ONDERSTEUNING	