

PART NAME

TABLET ENCLOSURE

PART No.

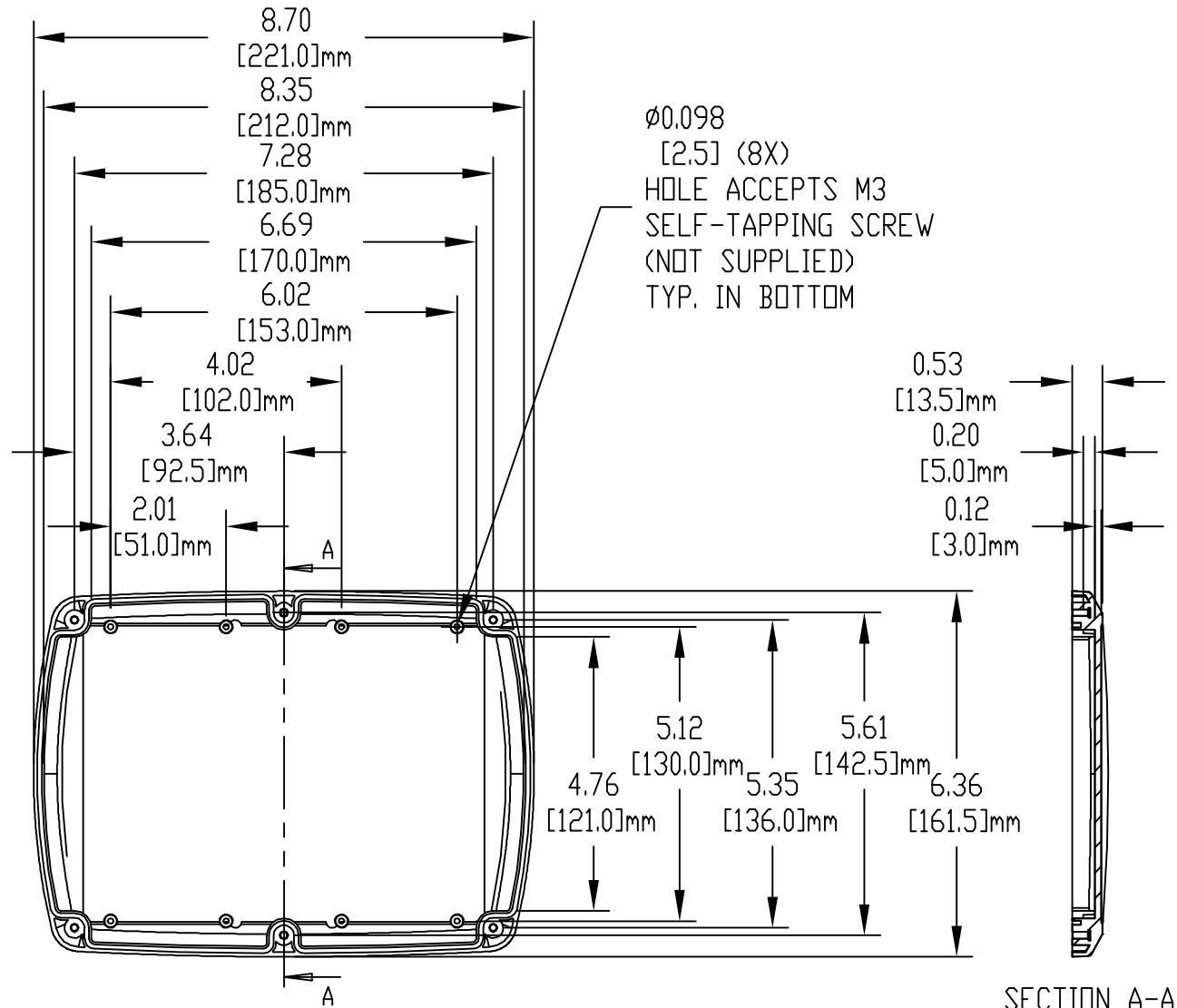
TB-32612-B & TB-32612-W

REV. DATE

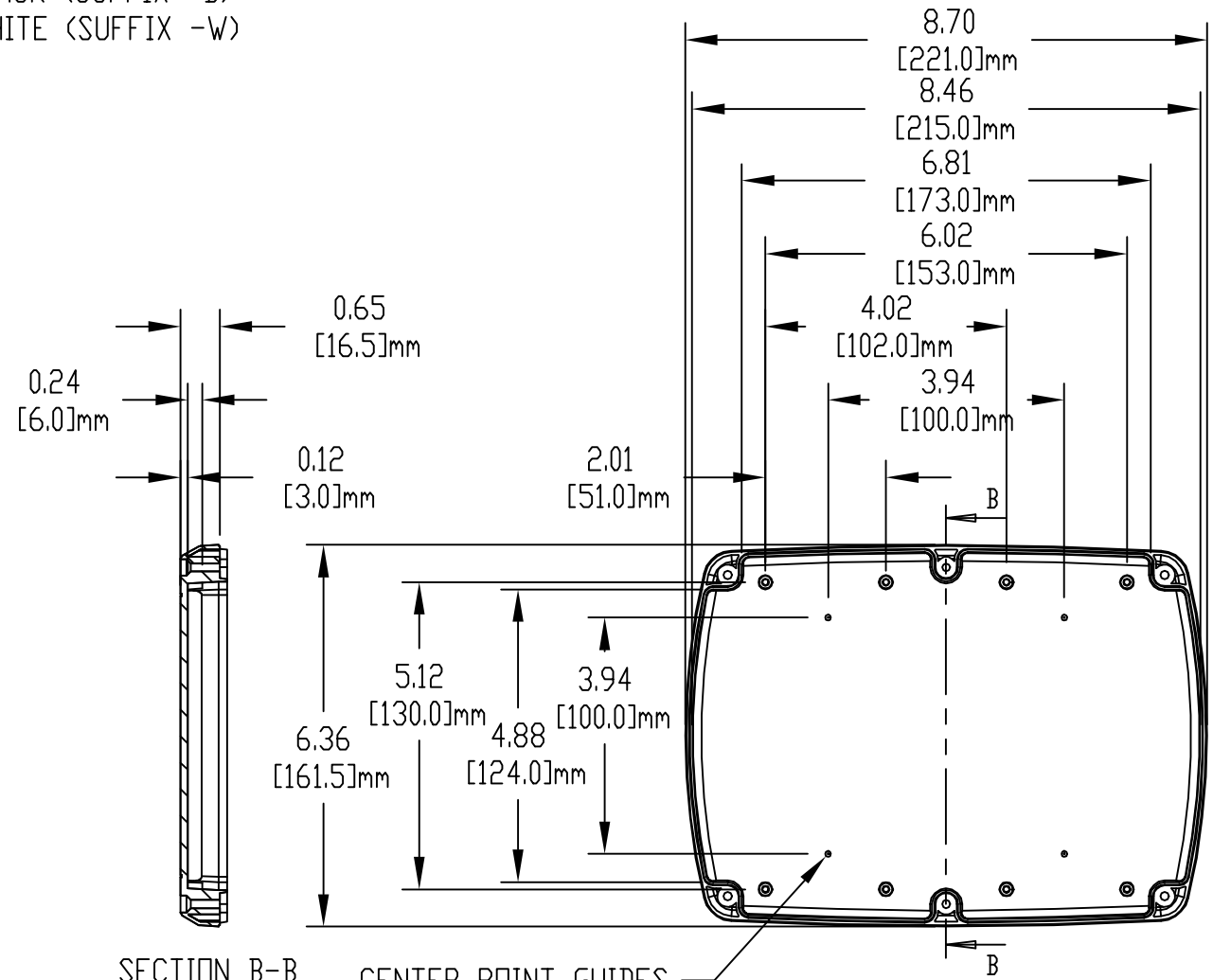
2-23-13

MATERIAL:  
 ABS UL94-HB BLACK (SUFFIX -B)  
 ABS UL94-V0 WHITE (SUFFIX -W)

∅0.098  
 [2.5] (8X)  
 HOLE ACCEPTS M3  
 SELF-TAPPING SCREW  
 (NOT SUPPLIED)  
 TYP. IN BOTTOM

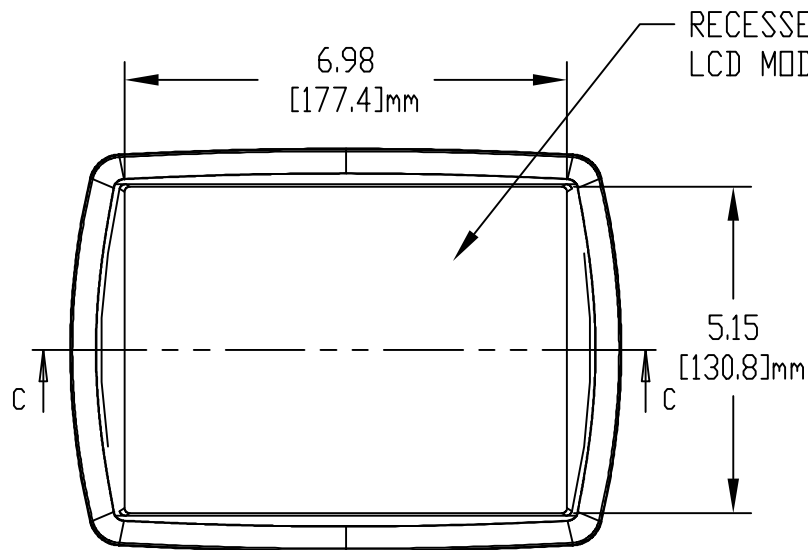


SECTION A-A

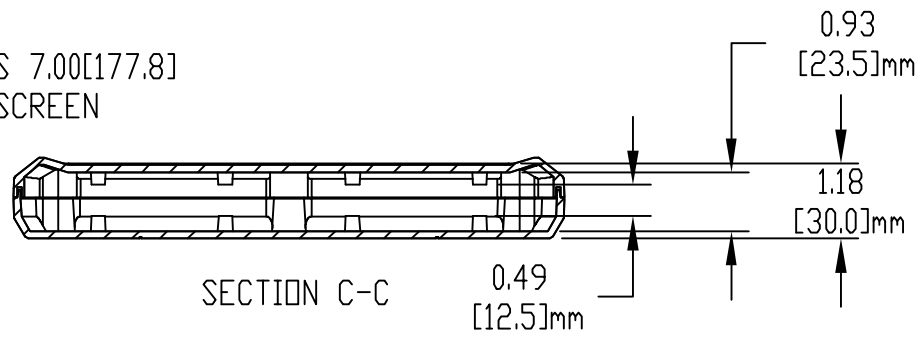


SECTION B-B

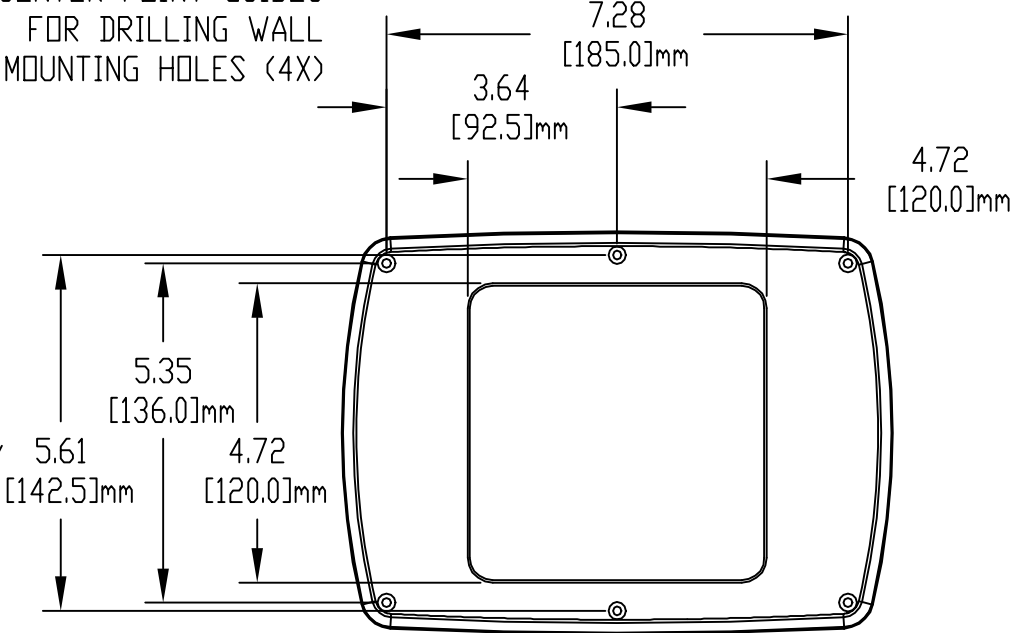
CENTER POINT GUIDES  
 FOR DRILLING WALL  
 MOUNTING HOLES (4X)



RECESSED AREA ACCEPTS 7.00[177.8]  
 LCD MODULE OR TOUCH SCREEN



SECTION C-C



- NOTES:
- 1.) SIX (6) M3 x 0.63[16] LG. SELF-TAPPING SCREWS SUPPLIED FOR ASSEMBLY
  - 2.) FOUR (4) ADD-ON RUBBER FEET SUPPLIED
  - 3.) ALL HOLE DIAMETERS HAVE ±0.005[0.13] TOLERANCE  
 ALL OTHER DIMENSIONS HAVE ±0.015[0.38] TOLERANCE
  - 4.) DIMENSIONS ARE INCH[MILLIMETER] - THIRD ANGLE PROJECTION
  - 5.) OPTIONAL SILICONE SPONGE GASKET #TB-32612-GSK AVAILABLE