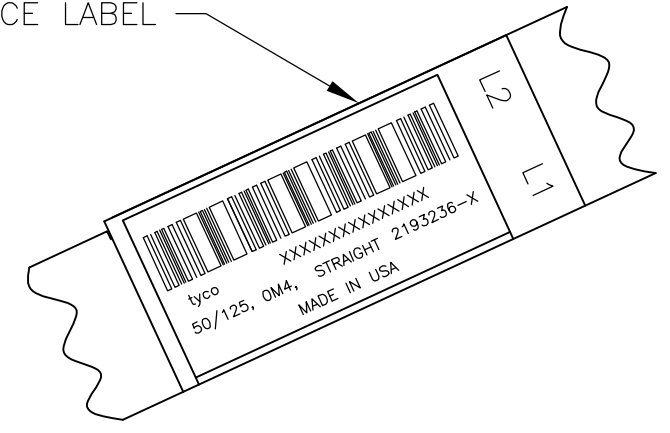
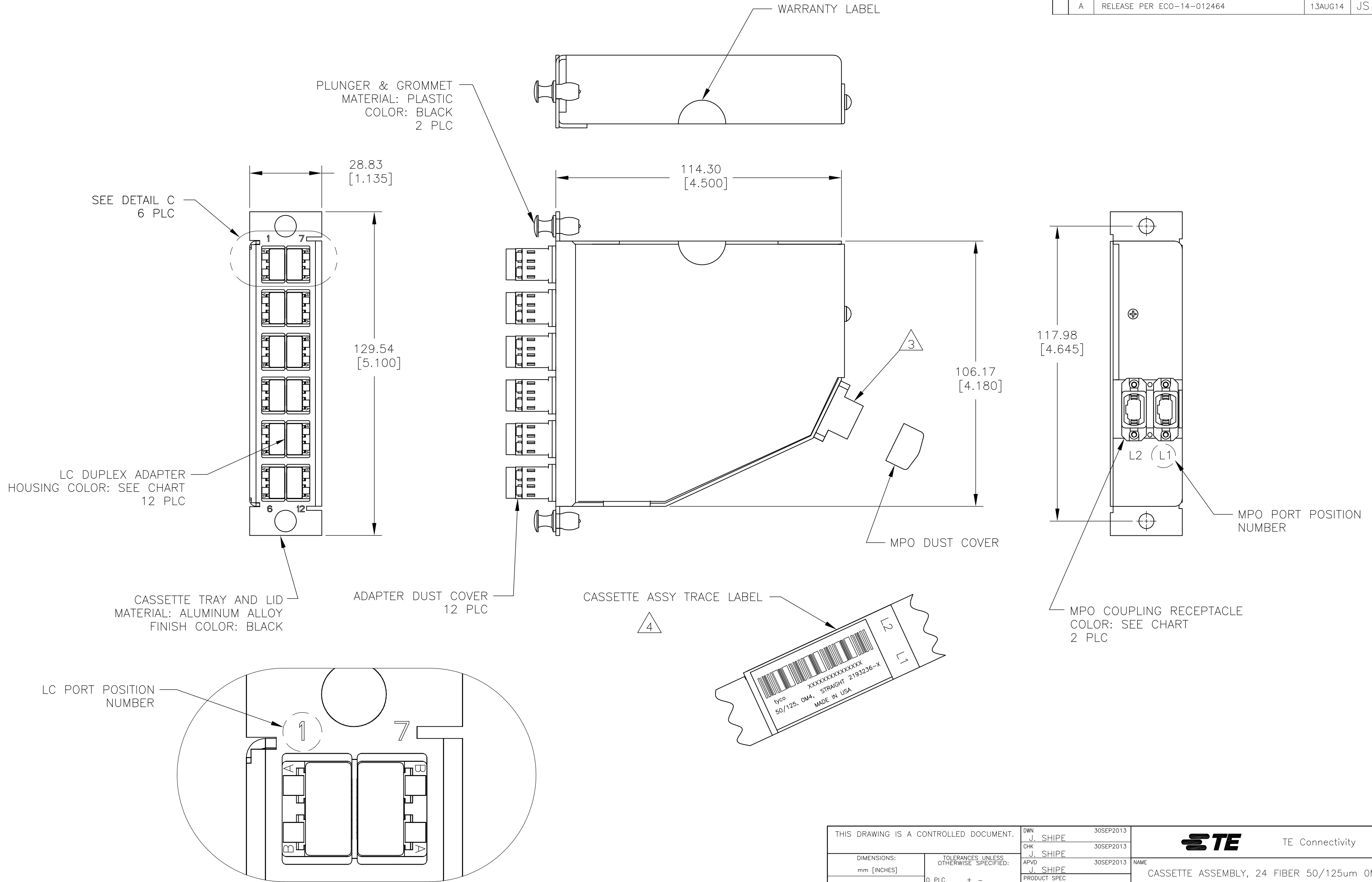


LOC	DIST	REVISIONS					
HP	00	P	LTR	DESCRIPTION	DATE	DWN	APVD
		A		RELEASE PER ECO-14-012464	13AUG14	JS	JS

D  
C  
B  
A

D  
C  
B  
A



THIS DRAWING IS A CONTROLLED DOCUMENT.		DWN J. SHIPE 30SEP2013	<b>STE</b> TE Connectivity
DIMENSIONS: mm [INCHES]		CHK J. SHIPE 30SEP2013	
TOLERANCES UNLESS OTHERWISE SPECIFIED:		APVD J. SHIPE 30SEP2013	NAME CASSETTE ASSEMBLY, 24 FIBER 50/125um OM4 MPO - LC STRAIGHT THRU
0 PLC ± -	1 PLC ± -	PRODUCT SPEC	SIZE A2
2 PLC ± -	3 PLC ± -	APPLICATION SPEC	CAGE CODE 00779
4 PLC ± -	ANGLES ± -	WEIGHT	DRAWING NO C-2193236
MATERIAL	FINISH	CUSTOMER DRAWING	RESTRICTED TO
		SCALE NTS	SHEET 1 of 2
			REV A

2193236

THIS DRAWING IS UNPUBLISHED. RELEASED FOR PUBLICATION  
 © COPYRIGHT - By - ALL RIGHTS RESERVED.


LOC		DIST		REVISIONS			
P	LTR	DESCRIPTION		DATE	DWN	APVD	
-	-	SEE SHEET 1		-	-	-	

- MAXIMUM CABLE ASSEMBLY INSERTION LOSS IS 0.75dB WHEN TESTED AT 850nm OR 1300nm.
- MINIMUM CABLE ASSEMBLY RETURN LOSS IS 23dB WHEN TESTED AT 850nm OR 1300nm.
- WHITE MARKING ON MPO TO BE FACING TOWARD TOP OF CONNECTOR MODULE. WHITE MARK INDICATES FIBER 1 SIDE
- SEE TRACE LABEL DETAIL
- A COPY OF CASSETTE ASSEMBLY LOSS TEST DATA WILL BE PLACED INSIDE OR WITH THE UNIT PACKAGE. CASSETTES WILL BE TESTED AT 850nm WAVELENGTH.
- PRODUCT AND PROCESSING MUST MEET REQUIREMENTS OF TE STANDARD TEC-138-702

L1 FIBER PATH STRAIGHT THRU		
LC/PC PORTS		MPO
INSIDE	OUTSIDE	
1A	1B	1
1B	1A	2
2A	2B	3
2B	2A	4
3A	3B	5
3B	3A	6
4A	4B	7
4B	4A	8
5A	5B	9
5B	5A	10
6A	6B	11
6B	6A	12

L2 FIBER PATH STRAIGHT THRU		
LC/PC PORTS		MPO
INSIDE	OUTSIDE	
7A	7B	1
7B	7A	2
8A	8B	3
8B	8A	4
9A	9B	5
9B	9A	6
10A	10B	7
10B	10A	8
11A	11B	9
11B	11A	10
12A	12B	11
12B	12A	12

PER SPECIFICATION 107-1645-1

TE BAR CODE {  }

XXXXXXXXXXXXXXXXXXXXX } TE TRACE # - HUMAN READABLE

STE 50/125, OM4, STRAIGHT X-XXXXXXX-X } TE PART NO.


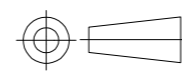
MADE IN XXXX

COUNTRY OF ORIGIN

4 TRACE LABEL DETAIL

AQUA SECURE	AQUA SECURE	1-2193236-1
SLATE SECURE	SLATE SECURE	1-2193236-0
ROSE SECURE	ROSE SECURE	2193236-9
VIOLET SECURE	VIOLET SECURE	2193236-8
BROWN SECURE	BROWN SECURE	2193236-7
ORANGE SECURE	ORANGE SECURE	2193236-6
YELLOW SECURE	YELLOW SECURE	2193236-5
BLUE SECURE	BLUE SECURE	2193236-4
GREEN SECURE	GREEN SECURE	2193236-3
RED SECURE	RED SECURE	2193236-2
BLACK STANDARD	AQUA STANDARD	2193236-1
MPO COUPLING BUSHING COLOR & TYPE	LC ADAPTER COLOR & TYPE	PART NUMBER

THIS DRAWING IS A CONTROLLED DOCUMENT.

DIMENSIONS: mm [INCHES]	TOLERANCES UNLESS OTHERWISE SPECIFIED:	DWN J. SHIPE 30SEP2013	 TE Connectivity
	0 PLC ± -	CHK J. SHIPE 30SEP2013	
	1 PLC ± -	APVD J. SHIPE 30SEP2013	
	2 PLC ± -	PRODUCT SPEC	
MATERIAL	FINISH	3 PLC ± -	NAME CASSETTE ASSEMBLY, 24 FIBER 50/125um OM4 MPO - LC STRAIGHT THRU
		4 PLC ± -	SIZE A2 CAGE CODE 00779 DRAWING NO. C=2193236 RESTRICTED TO -
		ANGLES ± -	SCALE NTS SHEET 2 OF 2 REV A
		WEIGHT -	CUSTOMER DRAWING