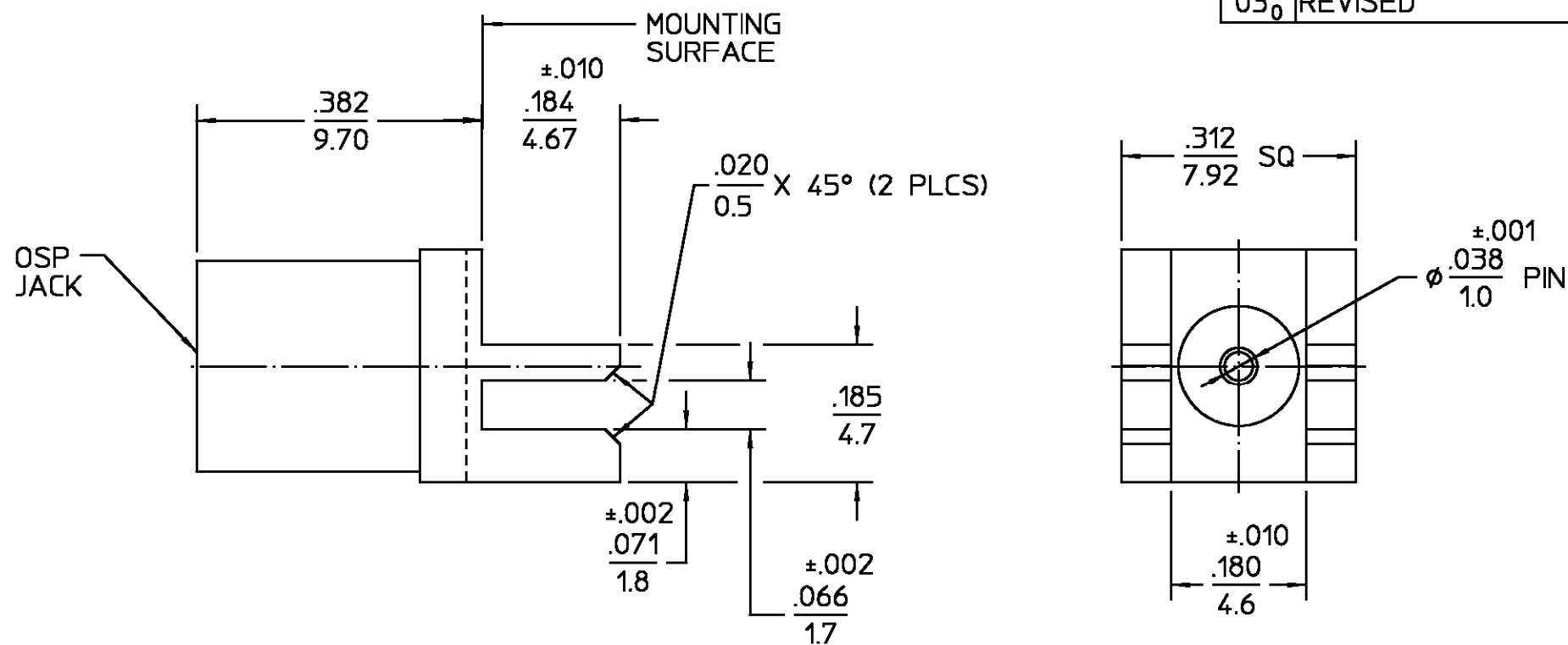


REVISIONS			
REV	DESCRIPTION	DATE	APPROVED
03 ₀	REVISED	KYLE 8-28-97	<i>[Signature]</i> 8/28/97



ELECTRICAL	MECHANICAL	ENVIRONMENTAL
Nominal Impedance (Ohms) <u>50</u>	Mating Characteristics:	Temperature Rating <u>-40 TO +105°C</u>
Frequency Range (GHz) DC to <u>6.0</u>	Insertion (MAX Lbs) <u>3.0</u>	Vibration MIL-STD-1344, Method 2005, Condition V-F
Volt Rating (VRMS MAX) @ Sea Level <u>250</u>	Withdrawal (MIN Oz) <u>1.0</u>	Shock MIL-STD-1344, Method 2004, Condition A
RF Leakage (dB MIN) <u>-(60-f(GHz))</u>	Force to Engage (Lbs MAX) <u>3.0</u>	Thermal Shock MIL-STD-1344, Method 1003, Condition A
Corona, 70,000 Ft (VRMS MIN) <u>190</u>	& Disengage (Lbs MAX) <u>1.5</u>	Moisture Resistance MIL-STD-1344 Method 1002, COND B TYPE I
Dielectric Withstanding Voltage (VRMS MIN) @ Sea Level <u>500</u>	Center Contact Captivation Axial (Lbs) <u>6</u>	Corrosion - MIL-STD-1344, Method 1001, 48 Hrs
Contact Resistance (Milliohms MAX) Center Contact <u>3.0</u>		<u>.XXX = in</u>
Outer Contact <u>5.0</u>		<u>XX.X = mm (REF)</u>
Cable to Housing <u>N/A</u>		
RF High Potential @ Sea Level (VRMS MIN @ 5 MHz) <u>500</u>		
IR.(Megohms MIN) <u>10,000</u>		

COMPONENT	MATERIAL	FINISH
HOUSING	BRASS PER ASTM-B-16 HALF HARD	WHITE BRONZE PLATE
DIELECTRIC	PTFE FLUOROCARBON PER ASTM-D-1457	N/A
INNER CONTACT	BERYLLIUM COPPER PER ASTM B 196, ALLOY C17300, CONDITION H	GOLD PLATE PER MIL-G-45204
CENTER CONTACT	BRASS PER ASTM-B-16 HALF HARD	GOLD PLATE PER MIL-G-45204
CONTACT RING	BERYLLIUM COPPER PER ASTM B 194, ALLOY C17200, CONDITION H	GOLD PLATE PER MIL-G-45204

UNLESS OTHERWISE SPECIFIED DIMENSIONS ARE IN INCHES	DRAWN BY <i>[Signature]</i> DATE 7/9/97	 AMP Incorporated 140 Fourth Avenue Waltham, MA 02451-7599								
FRAC. ± 1/64	CHECKED BY									
DEC. ±.005	APPD BY <i>[Signature]</i> 7/10/97									
ANGLES ± 1°	USE ASS'Y PROCEDURE	TITLE "OSP" END LAUNCH JACK RECEPTACLE- STRAIGHT TERMINAL								
These drawings and specifications are the property of M/A COM Interconnect Div. and shall not be reproduced or copied or used in whole or in part as the basis for the manufacture or sale of item(s) without written permission.	NO. AP. <u>N/A</u>	<table border="1"> <tr> <td>SIZE B</td> <td>CODE IDENT NO. 26805</td> <td>4470-5001-37</td> <td>REV 03₀</td> </tr> <tr> <td>SCALE 5:1</td> <td colspan="2"></td> <td>SHEET 1 OF 1</td> </tr> </table>	SIZE B	CODE IDENT NO. 26805	4470-5001-37	REV 03 ₀	SCALE 5:1			SHEET 1 OF 1
SIZE B	CODE IDENT NO. 26805	4470-5001-37	REV 03 ₀							
SCALE 5:1			SHEET 1 OF 1							

CUSTOMER DRAWING

AMP PART # 1221887-1
SHEET 1 OF 1 REV A