

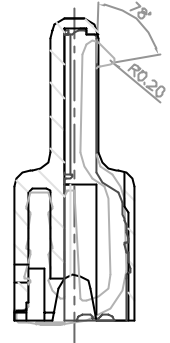
Tous droits strictement réservés. Reproduction ou communication o des tiers interdite sous quelque forme que ce soit sans autorisation écrite du propriétaire. Propriété de o FCI. Droits de reproduction FCI.

All rights strictly reserved. Reproduction or issue to third parties in any form whatever is not permitted without written authority from the proprietor. Property of FCI. Copyright FCI.

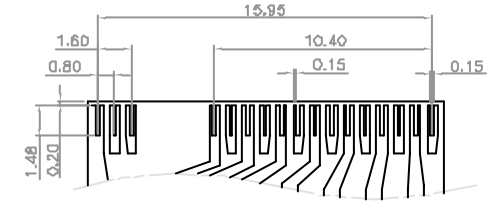
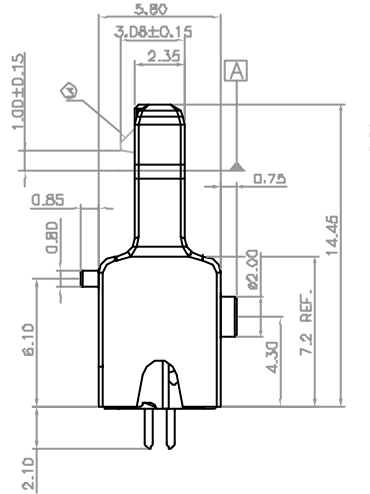
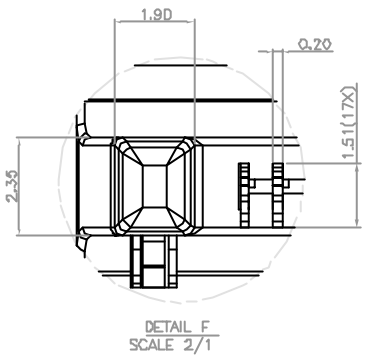
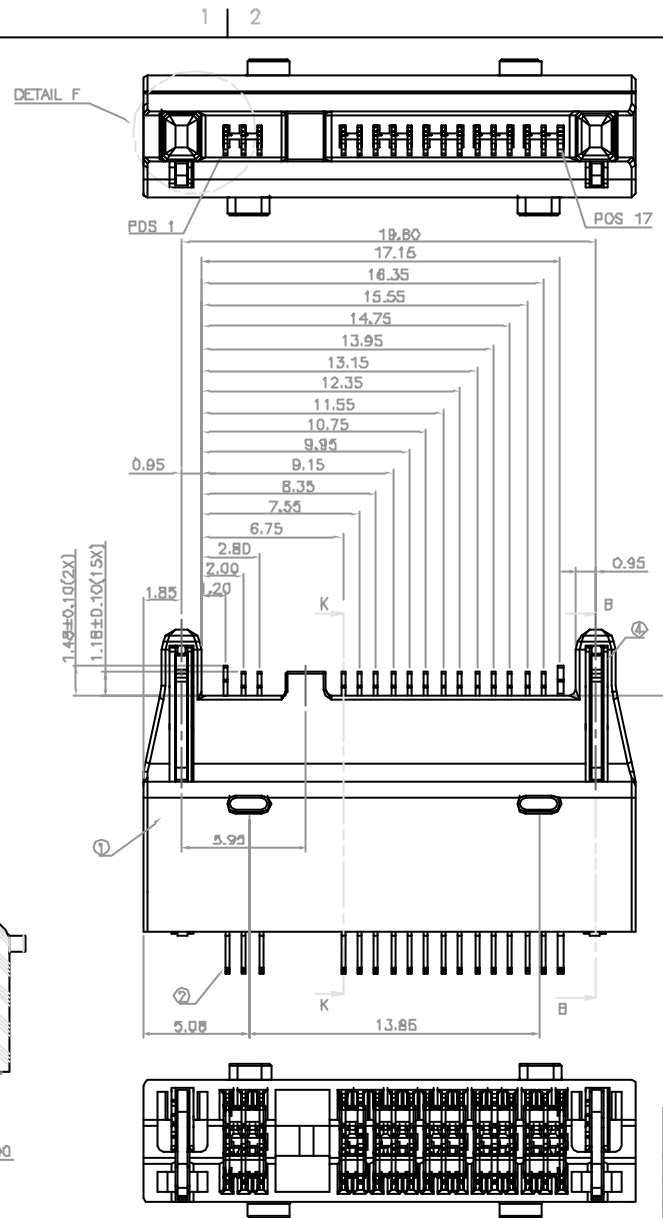
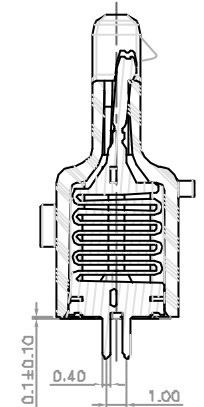
FCI

| |
|----------------|
| PART NUMBER |
| 10031285-001 |
| 10031285-001LF |

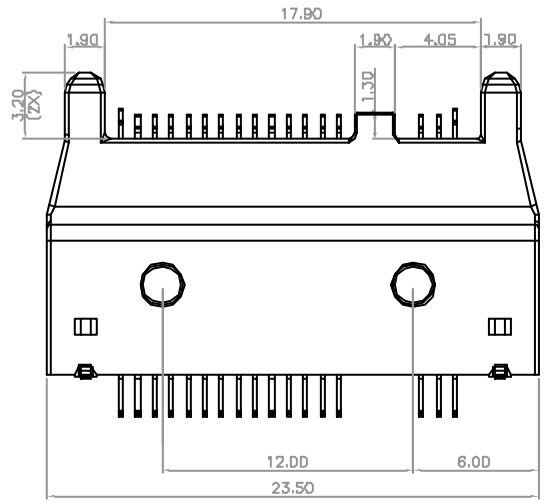
SECTION B-B



SECTION K-K



Required board layout view on front side



| | | | | | | | | | | |
|-------------|----------------|----|------------|---------------------------------------|--------------------|----------------|------------------------|------------|-------|--------|
| mat'l. code | | | | tolerances unless otherwise specified | | CUSTOMER COPY | www.fciconnect.com | | | |
| ltr | con no | dr | date | linear | .X ± 0.15 | | | projection | title | |
| A | T04-0088 | M | W 02/18/04 | | .XX ± 0.10 | MM | BLUETOOTH ASSEMBLY | | | |
| B | T04-0217 | M | W 05/18/04 | angles | .XXX ± | | | | | |
| C | 0604-0088 | P | M 12/18/04 | | .0° ± 2° | product family | MOBILE I/O | code | | |
| | | | | dr | MAGGIE WU 07/10/03 | size | dwg no | | | |
| | | | | enrg | LEIF SHEN 07/10/03 | scale | | | | |
| | | | | chr | PAUL WANG 07/10/03 | 3:1 | A4 | 10031285 | sheet | 1 of 2 |
| | | | | appd | JENN TSAD 07/10/03 | | | | | |
| sheet index | revision sheet | C | C | | | | | | | |
| | | 1 | 2 | | | | | | | |

cage code
22526

ACAD

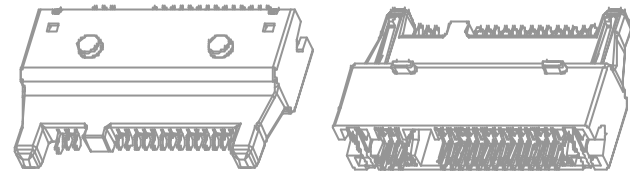
PDM: Rev:C

STATUS: Released

Printed: May 28, 2010

| |
|----------------|
| PART NUMBER |
| 10031285-001 |
| 10031285-001LF |

| | DESCRIPTION | MATERIAL |
|---|---------------|--|
| 1 | HOUSING | DSM Stanyl Nylon 46 TE250F8 |
| 2 | TERMINAL PINS | STOL 94 Contact Area: 30 micro-inches minimum electroplate hard Gold over-plating over 100-150 micro-inches of ductile Nickel barrier plating. Gold plating is to extend a minimum of 2.4 mm from the tip of the contact. Solder Tail: Plating shall be Tin/Lead, 90 (Acceptable range: 85-95) /10 (acceptable range: 5-15) for 10031285-001 or Plating shall be pure Sn for 10031285-001LF (78 micro inches minimum) over Ductile Nickel (50 micro-inches minimum). |
| 3 | PASSIVE LATCH | SUS 301 3/4 Hardness |
| 4 | PEG BLADE | SUS 301 3/4 Hardness |



Notes:

1. Contact retention force 4N minimum
2. Latch retention force 19.8N minimum
3. The housing will withstand exposure to 260°C peak temperature for 10 seconds in a convection, infra red vapor phase reflow oven
4. 10031285-D01LF meets European union directives and other country regulations as described in GS-22-008
5. Lead free label for 10031285-001LF per GS-14-920

Tous droits strictement réservés. Reproduction ou communication a des tiers interdite sous quelque forme que ce soit sans autorisation écrite du propriétaire. Propriété de c FCI. Droits de reproduction FCI.



All rights strictly reserved. Reproduction or reuse to third parties in any form whatever is not permitted without written authority from the proprietor. Property of FCI. Copyright FCI.

| | | | | | | | |
|-------------|----------------|---------------------------------------|-----------|---------------|------------|------------------------|---------------------------|
| mat'l. code | | tolerances unless otherwise specified | | CUSTOMER COPY | | www.fciconnect.com | |
| ltr | ecn no | dr | date | linear | .X ± 0.15 | projection | title |
| C | | | | | .XX ± 0.10 | | BLUETOOTH ASSEMBLY |
| | | | | angles | .XXX ± | | |
| | | | | | .0° ± 2° | | |
| | | dr | MAGGIE WU | 07/10/03 | | MM | product family MOBILE I/O |
| | | engr | LEIF SHEN | 07/10/03 | | | code - |
| | | chr | PAUL WANG | 07/10/03 | | scale | size dwg no |
| | | appd | JENN TSAO | 07/10/03 | 2:1 | A4 | 10031285 |
| sheet index | revision sheet | | | | | | sheet 2 of |

cage code
22526

ACAD

PDM: Rev:C

STATUS: Released

Printed: May 28, 2010