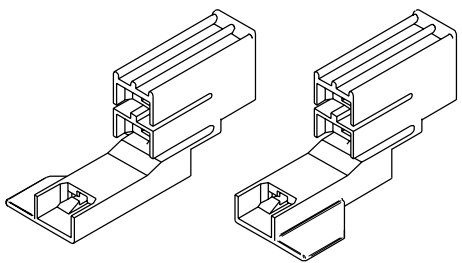
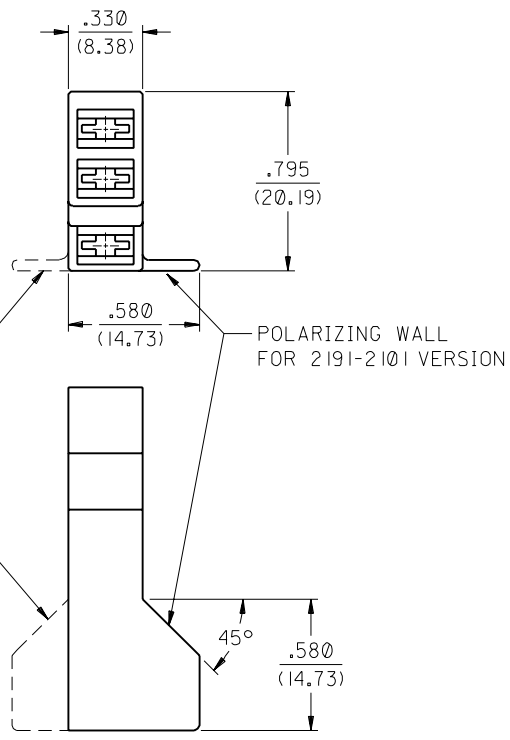
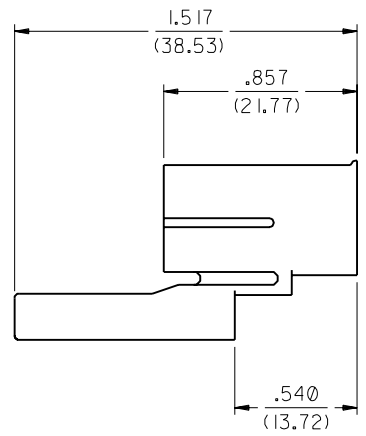
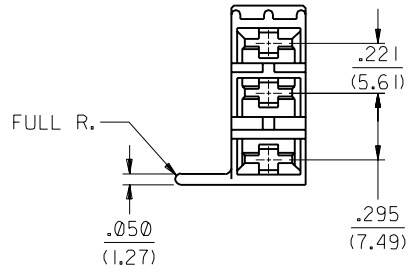


PART NUMBER	ENG. NO.	COLOR
006-02-9033	2191-2101	BLACK
006-02-9034	2191-2002	NATURAL



2191-2101      2191-2002

NOTES:

- MATERIAL:  
NYLON 6/6, UL 94V-2  
COLOR: SEE CHART
- THIS HOUSING FOR USE WITH 2176 AND 2576 SERIES TERMINALS.
- ALL DIMENSIONS ARE FOR REFERENCE ONLY.

A	FINAL RELEASE ECN U70232 RUSHTON 8-30-96
I	X-RELEASE ECN U6 0632 95/12/19 GJK

MFG.	SH.	REV.	LTR.	REVISIONS
------	-----	------	------	-----------

DIMENSIONS SHOWN (METRIC) INCH		▽ = 0    ▼ = 0		REVISE ONLY ON CAD SYSTEM	
UNLESS OTHERWISE SPECIFIED TOLERANCES: ANGULAR ± 1/2°					
		INCH		METRIC	
3 PLACE	±	---	---	---	---
2 PLACE	±	---	---	---	---
1 PLACE	---	---	---	---	---
DRAFT WHERE APPLICABLE MUST REMAIN WITHIN DIMENSIONS					
DRWG. BY	GJK	CHK'D. BY	KBP	TITLE	
APP'D. BY	RAS	SCALE	2 : 1	SWITCH CONNECTOR HOUSING, 3 CIRCUIT FLAT BLADE SYSTEM	
PART NO. SEE CHART		DRWG. NO. SD-2191-2*0*		SHEET NO. DATE	
FILE NAME S2191X1.DGN		THIS DRAWING CONTAINS INFORMATION THAT IS PROPRIETARY TO MOLEX INC. AND SHOULD NOT BE USED WITHOUT WRITTEN PERMISSION.		1 OF 1 95/12/19	
				DIV. CP	