

Ratings

Voltage: 30 V
Current: 1.0 A

Operating Temperature Range

-25° to 85° C, relative humidity of 85% or less

Materials

- ① Insulator: Nylon 46, black
- ② Pin: Phosphorus bronze, 5 µm gold and tin plated
- ③ Shell: SPCC Steel, nickel plated

Electrical Requirements

Dielectric strength: 1 min @ 500 Vac
Insulation resistance: 1000 MΩ @ 500 Vdc
Contact resistance: 30 mΩ or less

Mechanical Requirements

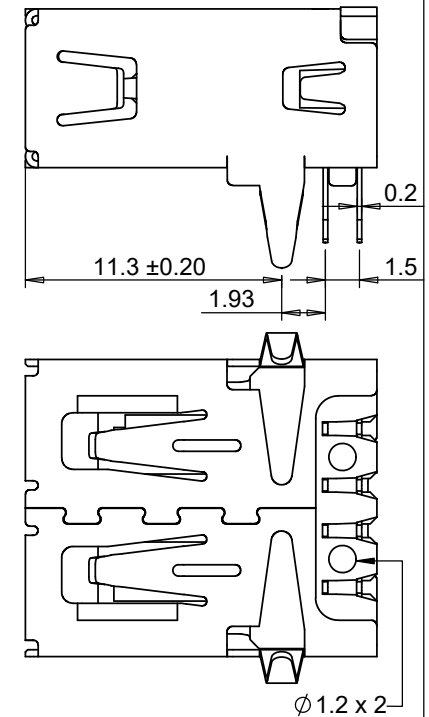
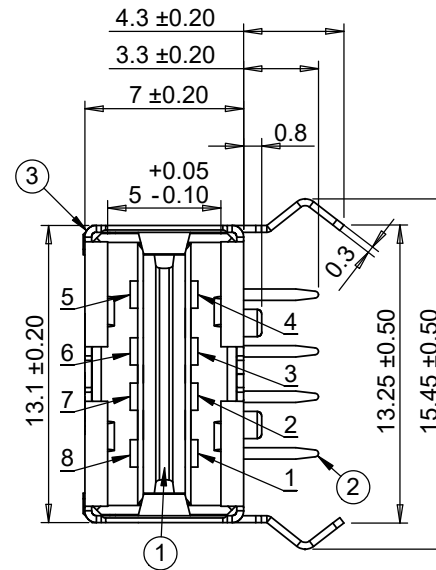
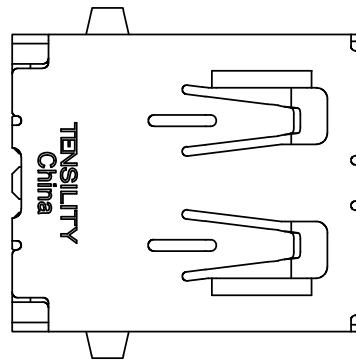
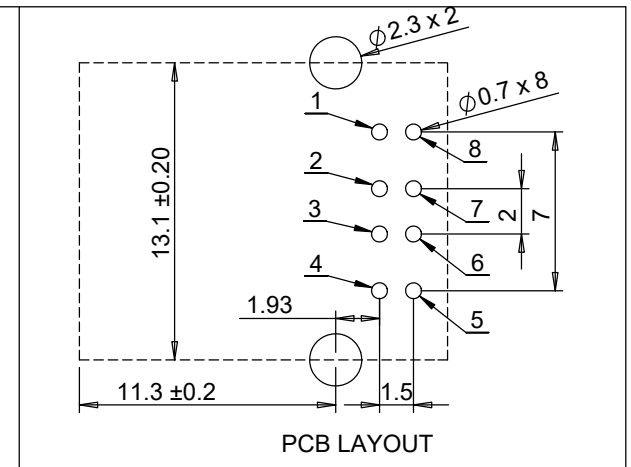
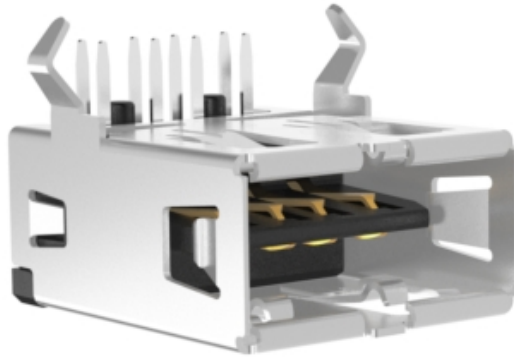
Insertion force: maximum of 3.5 kgf
Withdrawal force: minimum of 1.0 kgf
Life cycle: 1500 mating cycles while maintaining 3.5 kgf min. insertion force, 1.0 kgf min. withdrawal force, less than 100 mΩ contact resistance, greater than 100 MΩ insulation resistance, and withstand 100 Vac for 1 minute.
Terminal strength: 0.3 kgf in any direction without damage

Soldering

Solderability: 75% minimum coverage when terminals dipped 2mm in 255 ±5 °C solder bath for 3 ±0.5 seconds
Solder bath durability: no deformation when immersed in 260 ±5 °C up to surface of the board 1.6 mm for 10 seconds or less
Solder iron durability: no deformation when exposed to 350 ±10 °C for 3 ±0.5 seconds

Environmental Requirements

Cold test: -25 ±3 °C for 48 hours without deformation
Heat test: 85 ±2 °C, relative humidity 45-85% for 48 hours without deformation
Humidity test: 40 ±2 °C, relative humidity 90-98% for 48 hours without deformation



Revision:	Date:	Description:
A	11/6/2016	Initial release
A1	11/22/2016	Included top view with markings

Prepared:
Verified:
Dimensions are in millimeters. Tolerances: X: ± 0.5 mm X.X: ± 0.3 mm X.XX: ± 0.05 mm

Notes:
RoHS and REACH compliant
Function test: no open, no short circuit, no intermittent
Description:
Connector, USB A 2.0 jack, reversible insertion, nickel shell, PCB mount, 90°, thru hole, board lock

TENSILITY

tel 1.541.323.3228 800 877.670.7118
fax 1.541.323.4202 web tensility.com

Size:	Part number:
A	54-00030
Scale: 3:1	Sheet 1 of 1