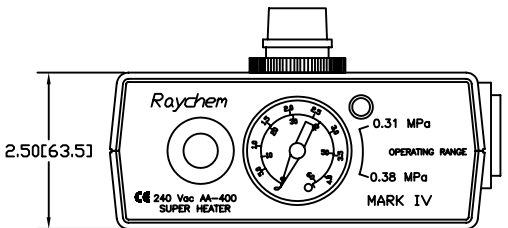
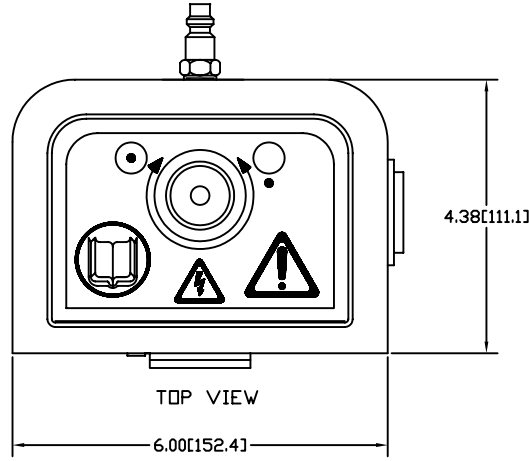


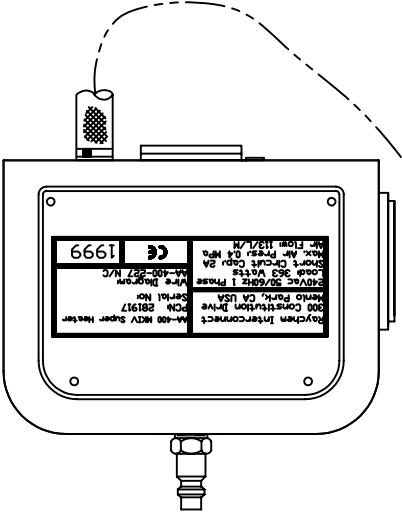
REVISIONS			
LTR	DESCRIPTION	DATE	APPROVED
	Initial Release Per DCR No. R000225	02/01/00	PMG



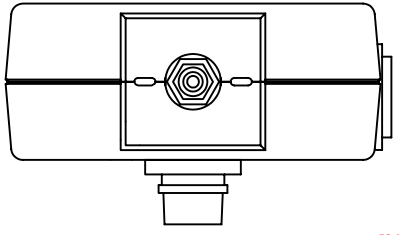
FRONT VIEW



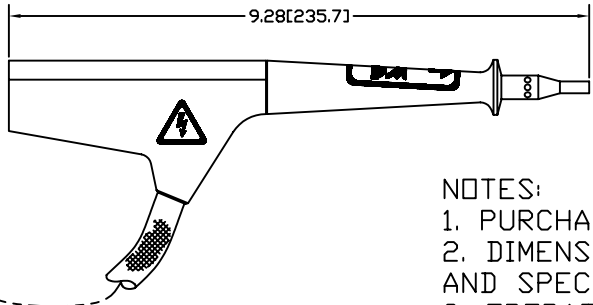
TOP VIEW



BOTTOM VIEW



BACK VIEW



NOTES:
 1. PURCHASE AS RAYCHEM P/N 28197
 2. DIMENSIONS ARE FOR REFERENCE ONLY AND SPECIFIED IN INCHES / [mm]
 3. OPERATING REQUIREMENTS:
 220/240 Vac, 4 CFM [0.41 MPa] @ 60 PSIG [113 l/m] OF CLEAN & DRY COMPRESSED AIR

SPECIFICATION CONTROL DRAWING

If this document is printed it becomes uncontrolled. Check for the latest revision

UNLESS OTHERWISE SPECIFIED DIMENSIONS ARE IN INCHES AND TOLERANCES ARE:		DRWN P. Godfrey	DATE 02/01/00	Raychem		RAYCHEM CORPORATION 300 CONSTITUTION DRIVE MENLO PARK, CALIFORNIA 94025	
AA-400-200		CHECKED E. Stadler	DATE 02/01/00	TITLE		AA-400-MARK IV SUPER HEATER CE 240 Vac	
NEXT ASSY	USED ON	APPROVED E. Cyzzik	DATE 02/01/00	THIRD ANGLE PROJECTION		SIZE D	CODE IDENT. NO. 06090
THIS DRAWING AND THE INFORMATION SET FORTH HEREON ARE THE PROPERTY OF RAYCHEM CORPORATION AND ARE TO BE HELD IN TRUST AND CONFIDENCE. PUBLICATION, DUPLICATION, DISCLOSURE OR USE FOR ANY PURPOSE NOT EXPRESSLY AUTHORIZED IN WRITING BY RAYCHEM CORPORATION IS PROHIBITED.		MATERIAL		FINISH		DWG. NO. AA-400-200-01	REV 1
SALE PRICE C [InfoCAL] 40020001		PROJECT CE-AA-400		SCALE FULL		DO NOT SCALE THIS DRAWING SHEET 1 OF 1	