

# KIT33887EKEVB Evaluation Board

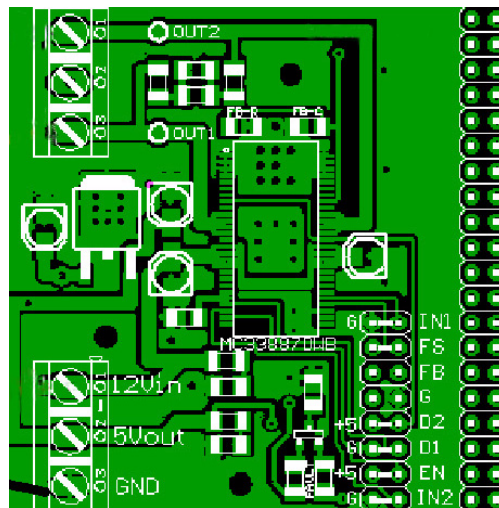


Figure 1. KIT33887EKEVB

## Table of Contents

1	Kit Contents / Packing List	2
2	Important Notice	3
3	Setup the EVB	4
4	Using the EVB	5
5	EVB Schematic	6
6	Board Layout	7
7	Bill of Material	10
8	References	11
9	Revision History	12

# 1 Kit Contents / Packing List

- Evaluation Board - KIT33887EKEVB
- CD33887, Revision 3

## 2 Important Notice

Freescale provides the enclosed product(s) under the following conditions:

This evaluation kit is intended for use of ENGINEERING DEVELOPMENT OR EVALUATION PURPOSES ONLY. It is provided as a sample IC pre-soldered to a printed circuit board to make it easier to access inputs, outputs, and supply terminals. This EVB may be used with any development system or other source of I/O signals by simply connecting it to the host MCU or computer board via off-the-shelf cables. This EVB is not a Reference Design and is not intended to represent a final design recommendation for any particular application. Final device in an application will be heavily dependent on proper printed circuit board layout and heat sinking design as well as attention to supply filtering, transient suppression, and I/O signal quality.

The goods provided may not be complete in terms of required design, marketing, and or manufacturing related protective considerations, including product safety measures typically found in the end product incorporating the goods. Due to the open construction of the product, it is the user's responsibility to take any and all appropriate precautions with regard to electrostatic discharge. In order to minimize risks associated with the customers applications, adequate design and operating safeguards must be provided by the customer to minimize inherent or procedural hazards. For any safety concerns, contact Freescale sales and technical support services.

Should this evaluation kit not meet the specifications indicated in the kit, it may be returned within 30 days from the date of delivery and will be replaced by a new kit.

Freescale reserves the right to make changes without further notice to any products herein. Freescale makes no warranty, representation or guarantee regarding the suitability of its products for any particular purpose, nor does Freescale assume any liability arising out of the application or use of any product or circuit, and specifically disclaims any and all liability, including without limitation consequential or incidental damages. "Typical" parameters can and do vary in different applications and actual performance may vary over time. All operating parameters, including "Typical", must be validated for each customer application by customer's technical experts.

Freescale does not convey any license under its patent rights nor the rights of others. Freescale products are not designed, intended, or authorized for use as components in systems intended for surgical implant into the body, or other applications intended to support or sustain life, or for any other application in which the failure of the Freescale product could create a situation where personal injury or death may occur.

Should Buyer purchase or use Freescale products for any such unintended or unauthorized application, Buyer shall indemnify and hold Freescale and its officers, employees, subsidiaries, affiliates, and distributors harmless against all claims, costs, damages, and expenses, and reasonable attorney fees arising out of, directly or indirectly, any claim of personal injury or death associated with such unintended or unauthorized use, even if such claim alleges that Freescale was negligent regarding the design or manufacture of the part. Freescale™ and the Freescale logo are trademarks of Freescale Semiconductor, Inc. All other product or service names are the property of their respective owners. © Freescale Semiconductor, Inc. 2008

### 3 Setup the EVB

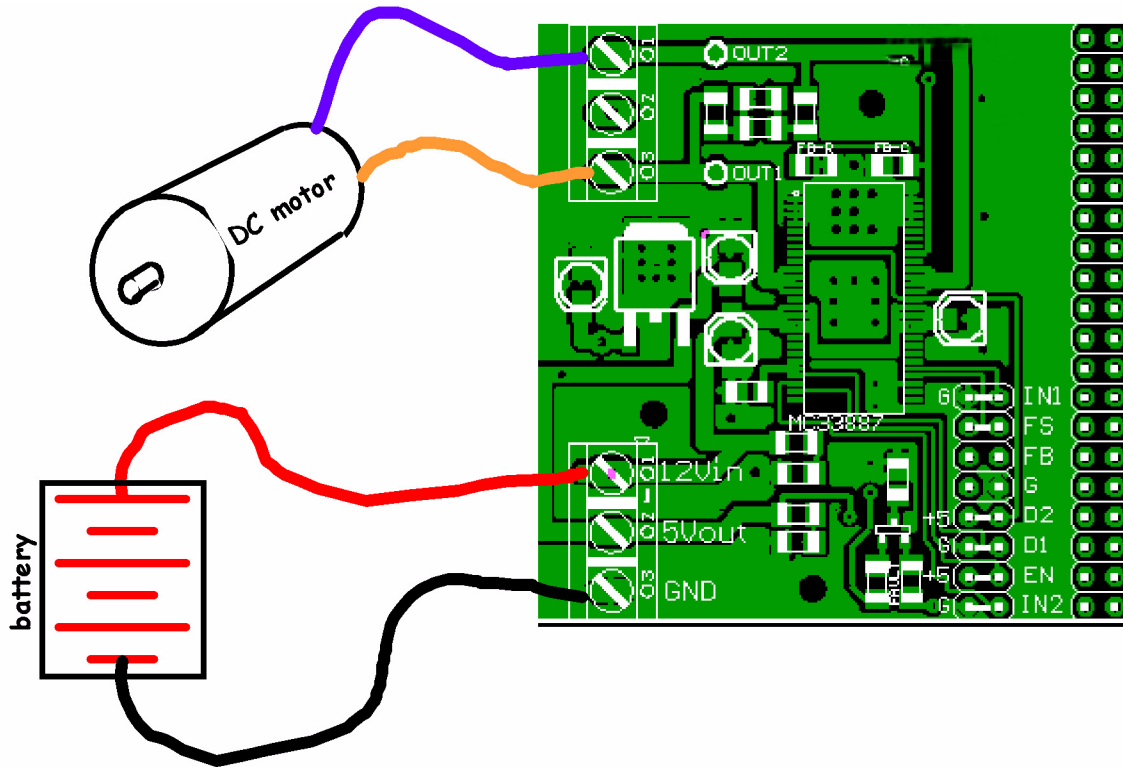


Figure 1. Setting up the EVB

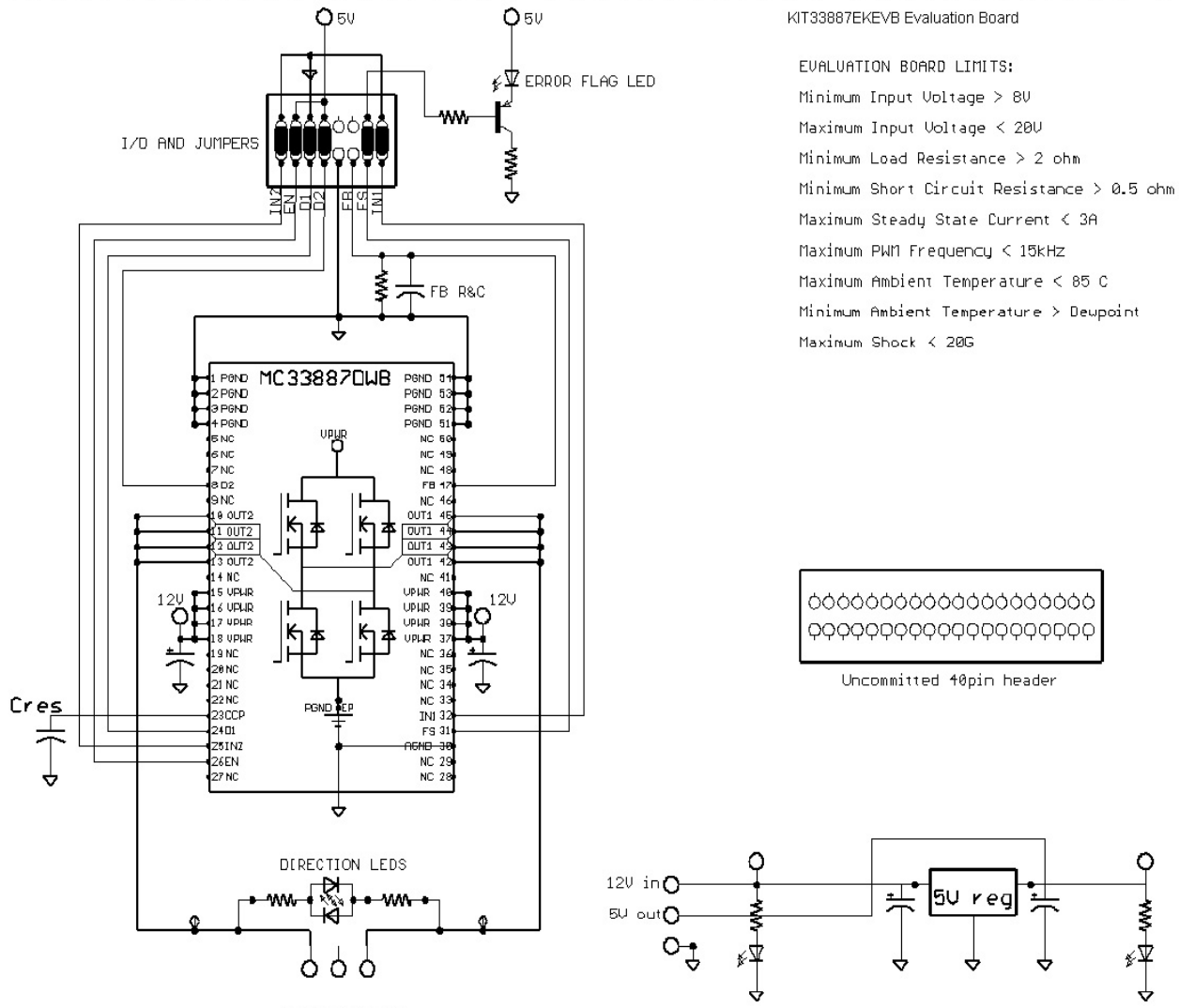
## 4 Using the EVB

**Warning: Always wear Safety Glasses when working with electronic modules and/or soldering.**

The EVB is provided to quickly evaluate features of the MC33887 device with a simple bench-top setup:

1. Terminal blocks are provided for easy hook-up of power and loads. Strip wire ~ 0.25" before inserting into terminal block, then tighten down the screw until the wire is snug. Apply a voltage between 5V and 35V to the terminal labeled "12Vin", and apply the ground return to the terminal labeled "GND". The board has a built-in 5V regulator, and up to 500mA may be drawn from the terminal labeled 5Vout, if desired.
2. Jumpers are provided at the I/O 2X8 pin header to provide quick set-up of the enable, disables, and inputs. Alternatively, an uncommitted 2X20 pin header is provided to which the I/O may be wire wrapped in any desired pinout. This 2X20 pin header will then accept standard 40 pin flat ribbon cables to provide connection to various Metrowerks Development Systems.
3. To turn on a load in one direction, the inputs should be set as follows: D1 to ground, D2 to +5V, EN to +5V, IN1 to +5V (or left floating, as it has internal pull-ups to +5V), and IN2 to ground. To run current through the load in the opposite direction, reverse the logic states of IN1 and IN2. (Note: Logic One > 3.3V, Logic Zero <1.4V.)
4. To control the load via PWM, apply a PWM pulse train to either IN1 or IN2, while holding the other INput at a steady-state logic level. Swapping the signals applied to IN1 and IN2 will provide control in the opposite direction.
5. A Fault Status indicating LED is included on the board, and can be connected to the Fault Status flag output by placing a jumper over the two pins opposite the FS label on the 2X8 pin header. By so doing, the FAULT LED will light whenever the IC encounters any of the following fault conditions: Over Temperature, Shorted Load, Under Voltage. The LED will remain lit until the IC's fault status flag is reset by one of the following means: toggling D1, toggling D2, toggling EN, or removing then reapplying power.

# 5 EVB Schematic



KIT33887EKEVB Evaluation Board

**EVALUATION BOARD LIMITS:**

- Minimum Input Voltage > 8V
- Maximum Input Voltage < 28V
- Minimum Load Resistance > 2 ohm
- Minimum Short Circuit Resistance > 0.5 ohm
- Maximum Steady State Current < 3A
- Maximum PWM Frequency < 15kHz
- Maximum Ambient Temperature < 85 C
- Minimum Ambient Temperature > Deupoint
- Maximum Shock < 20G

Figure 2. EVB Schematic

## 6 Board Layout

### 6.1 Assembly

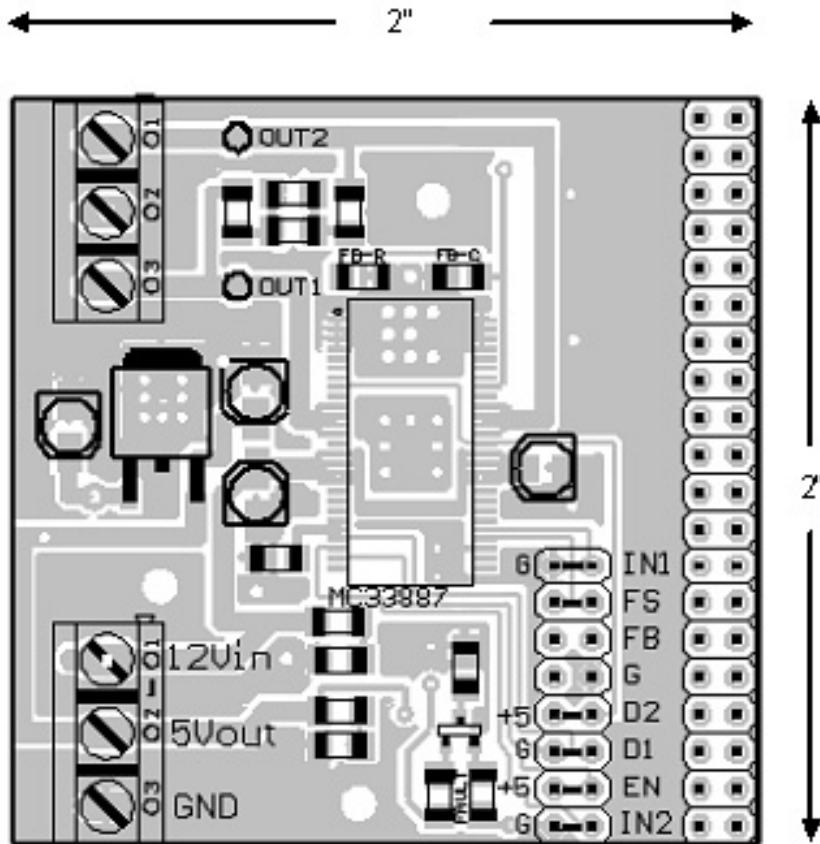


Figure 3. Assembly

## 6.2 PCB Top Copper

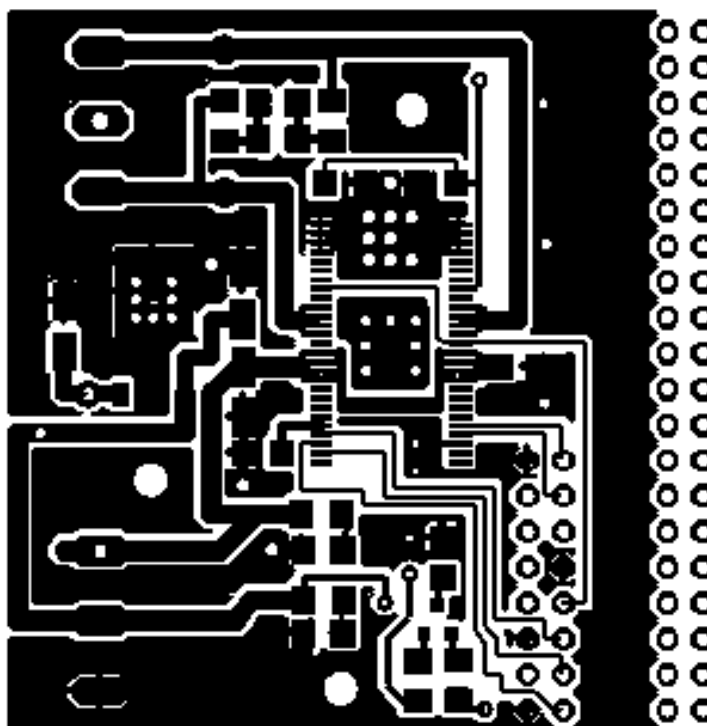


Figure 4. PCB Top Copper



## 6.3 PCB Bottom Copper

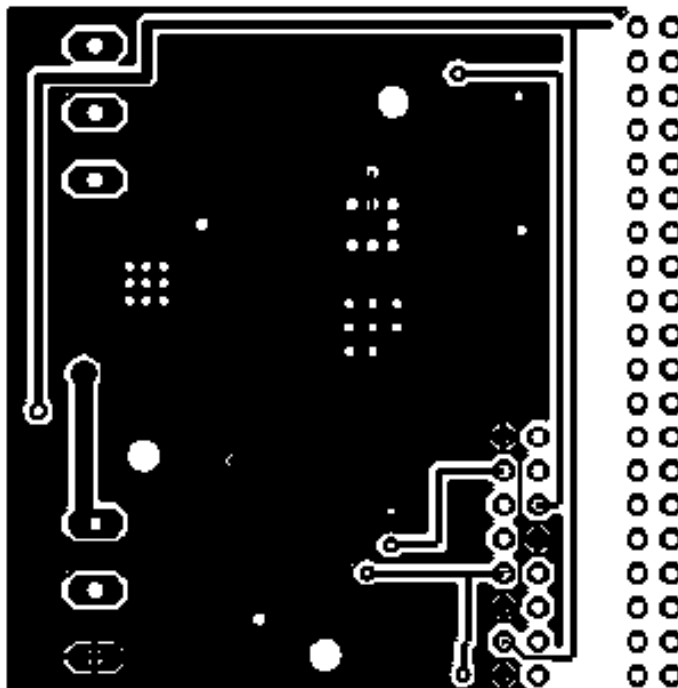


Figure 5. PCB Bottom Copper

## 7 Bill of Material

Qty	Value	Device	Manufacturer
1		MC33887EK	Freescale Semiconductor, Inc.
2		AK300/3AK500/3A	ANY
1		PINHD -2X8	ANY
1		PINHD -2X20	AN;Y
3	1K Ohm	R -US_R1206	ANY
1	1uF 50v	C -USC1206	ANY
1	2K Ohm	R -US_R1206	ANY
4	5uF 50v	CPOL US153CLV-0405	ANY
1	15K Ohm	R -US_R1206	ANY
1	33nF 50v	C -USC1206	ANY
1	300 Ohm	R -US_R1206	ANY
1	500 Ohm	R -US_R1206	ANY
1	5V	7805DT 5VREG	Any
1	GRN	SMTLED	ANY
1	PNP SOT 23	MMBT3906LT1	ANY
2	RED	SMTLED	ANY
2		TP20r	ANY
2	YEL	SMTLED	ANY

## 8 References

Following are URLs where you can obtain information on other Freescale products and application solutions:

Description	URL
Data Sheet - MC33887	<a href="http://www.freescale.com/files/analog/doc/data_sheet/MC33887.pdf">www.freescale.com/files/analog/doc/data_sheet/MC33887.pdf</a>
Freescale's Web Site	<a href="http://www.freescale.com">www.freescale.com</a>
Freescale's Analog Web Site	<a href="http://www.freescale.com/analog">www.freescale.com/analog</a>

## 9 Revision History

REVISION	DATE	DESCRIPTION OF CHANGES
1.0	11/2008	<ul style="list-style-type: none"><li>Initial Release</li></ul>

## **How to Reach Us:**

### **Home Page:**

[www.freescale.com](http://www.freescale.com)

### **Web Support:**

<http://www.freescale.com/support>

### **USA/Europe or Locations Not Listed:**

Freescale Semiconductor, Inc.  
Technical Information Center, EL516  
2100 East Elliot Road  
Tempe, Arizona 85284  
+1-800-521-6274 or +1-480-768-2130  
[www.freescale.com/support](http://www.freescale.com/support)

### **Europe, Middle East, and Africa:**

Freescale Halbleiter Deutschland GmbH  
Technical Information Center  
Schatzbogen 7  
81829 Muenchen, Germany  
+44 1296 380 456 (English)  
+46 8 52200080 (English)  
+49 89 92103 559 (German)  
+33 1 69 35 48 48 (French)  
[www.freescale.com/support](http://www.freescale.com/support)

### **Japan:**

Freescale Semiconductor Japan Ltd.  
Headquarters  
ARCO Tower 15F  
1-8-1, Shimo-Meguro, Meguro-ku,  
Tokyo 153-0064  
Japan  
0120 191014 or +81 3 5437 9125  
[support.japan@freescale.com](mailto:support.japan@freescale.com)

### **Asia/Pacific:**

Freescale Semiconductor Hong Kong Ltd.  
Technical Information Center  
2 Dai King Street  
Tai Po Industrial Estate  
Tai Po, N.T., Hong Kong  
+800 2666 8080  
[support.asia@freescale.com](mailto:support.asia@freescale.com)

### **For Literature Requests Only:**

Freescale Semiconductor Literature Distribution Center  
P.O. Box 5405  
Denver, Colorado 80217  
1-800-441-2447 or 303-675-2140  
Fax: 303-675-2150  
[LDCForFreescaleSemiconductor@hibbertgroup.com](mailto:LDCForFreescaleSemiconductor@hibbertgroup.com)

Information in this document is provided solely to enable system and software implementers to use Freescale Semiconductor products. There are no express or implied copyright licenses granted hereunder to design or fabricate any integrated circuits or integrated circuits based on the information in this document.

Freescale Semiconductor reserves the right to make changes without further notice to any products herein. Freescale Semiconductor makes no warranty, representation or guarantee regarding the suitability of its products for any particular purpose, nor does Freescale Semiconductor assume any liability arising out of the application or use of any product or circuit, and specifically disclaims any and all liability, including without limitation consequential or incidental damages. "Typical" parameters that may be provided in Freescale Semiconductor data sheets and/or specifications can and do vary in different applications and actual performance may vary over time. All operating parameters, including "Typicals", must be validated for each customer application by customer's technical experts. Freescale Semiconductor does not convey any license under its patent rights nor the rights of others. Freescale Semiconductor products are not designed, intended, or authorized for use as components in systems intended for surgical implant into the body, or other applications intended to support or sustain life, or for any other application in which the failure of the Freescale Semiconductor product could create a situation where personal injury or death may occur. Should Buyer purchase or use Freescale Semiconductor products for any such unintended or unauthorized application, Buyer shall indemnify and hold Freescale Semiconductor and its officers, employees, subsidiaries, affiliates, and distributors harmless against all claims, costs, damages, and expenses, and reasonable attorney fees arising out of, directly or indirectly, any claim of personal injury or death associated with such unintended or unauthorized use, even if such claim alleges that Freescale Semiconductor was negligent regarding the design or manufacture of the part.

Freescale™ and the Freescale logo are trademarks of Freescale Semiconductor, Inc. All other product or service names are the property of their respective owners.

© Freescale Semiconductor, Inc., 2008. All rights reserved.