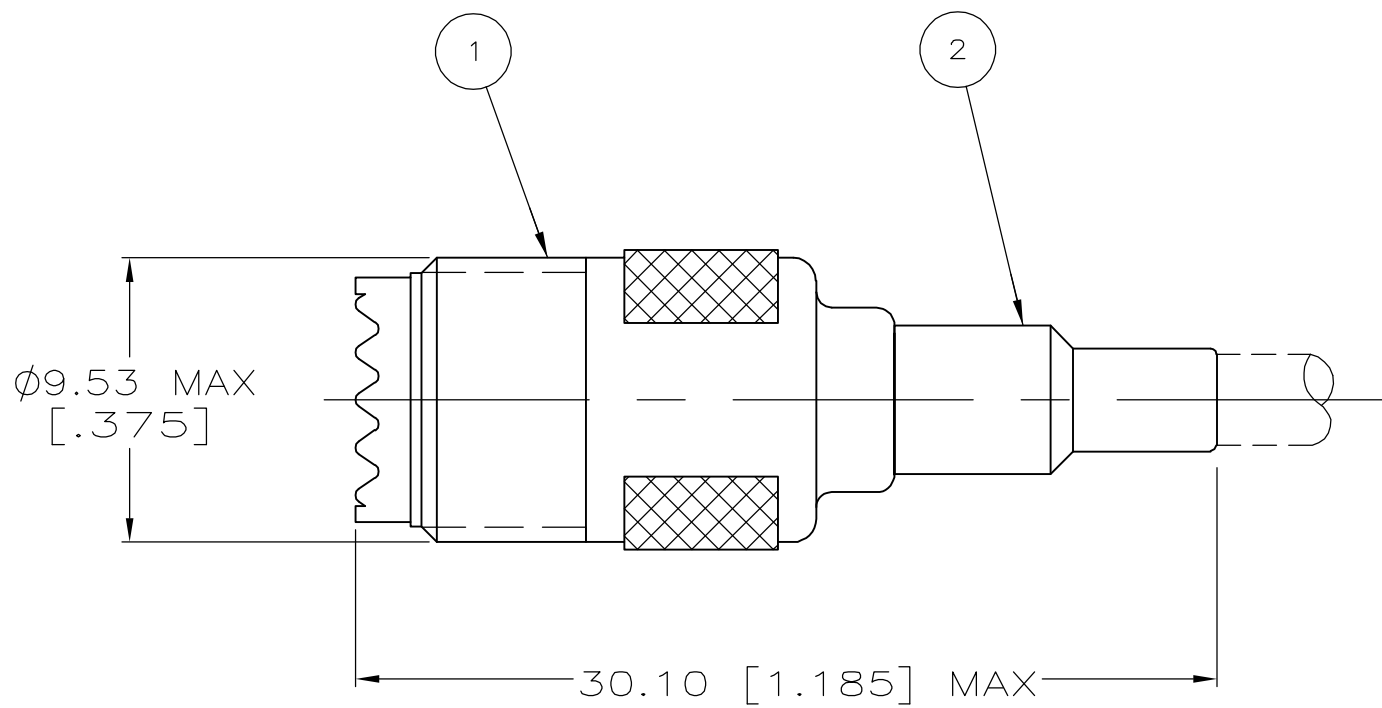
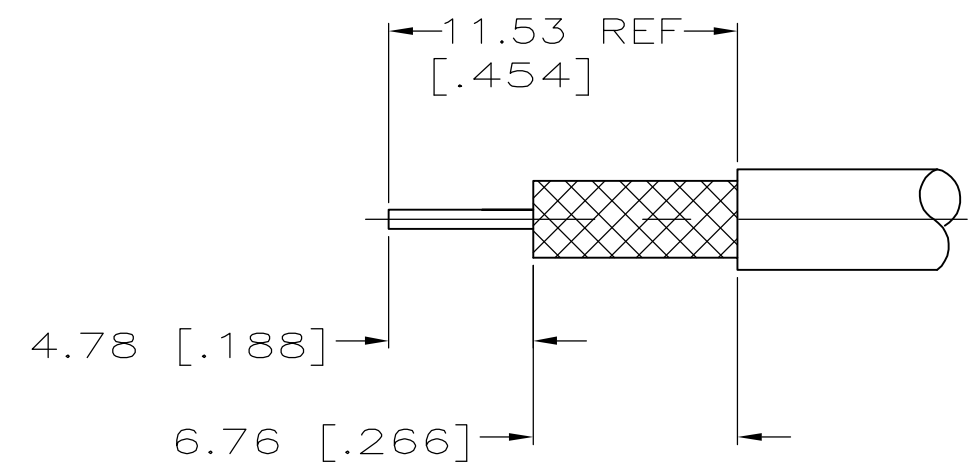


THIS DRAWING IS UNPUBLISHED. RELEASED FOR PUBLICATION
 © COPYRIGHT BY TYCO ELECTRONICS CORPORATION. ALL RIGHTS RESERVED.

LOC	DIST	REVISIONS					
AJ	16	P	LTR	DESCRIPTION	DATE	DWN	APVD
		0		REV PER EC-0S14-0496-04	01FEB2005	GA	JL



- △1 FOR USE WITH: RG-316/U CABLE
- △2 USE CRIMPING TOOL: PNEUMATIC TOOL 69365-3 WITH DIE SET 58159-1



RECOMMENDED STRIP LENGTH

9-328666-0	414479-1	5414477-1
② FERRULE	① JACK ASSY QTY=1	PART NO

THIS DRAWING IS A CONTROLLED DOCUMENT.		DWN G. ATTADIA - DOCK5 01FEB2005	Tyco Electronics Corporation Harrisburg, Pa 17105-3608				
DIMENSIONS: mm [INCHES]		CHK J. HAVENER 01FEB2005					
TOLERANCES UNLESS OTHERWISE SPECIFIED:		APVD J. LIPPERT 01FEB2005	NAME JACK, MINIATURE UHF				
0 PLC ± - 1 PLC ± - 2 PLC ± 0.38 [.015] 3 PLC ± - 4 PLC ± - ANGLES ± -		PRODUCT SPEC -	-				
MATERIAL -		FINISH -	APPLICATION SPEC -	SIZE A3	CAGE CODE 00779	DRAWING NO C-5414477	RESTRICTED TO -
CUSTOMER DRAWING			WEIGHT -	SCALE 4:1	SHEET 1 OF 1	REV 0	