

DETAILS

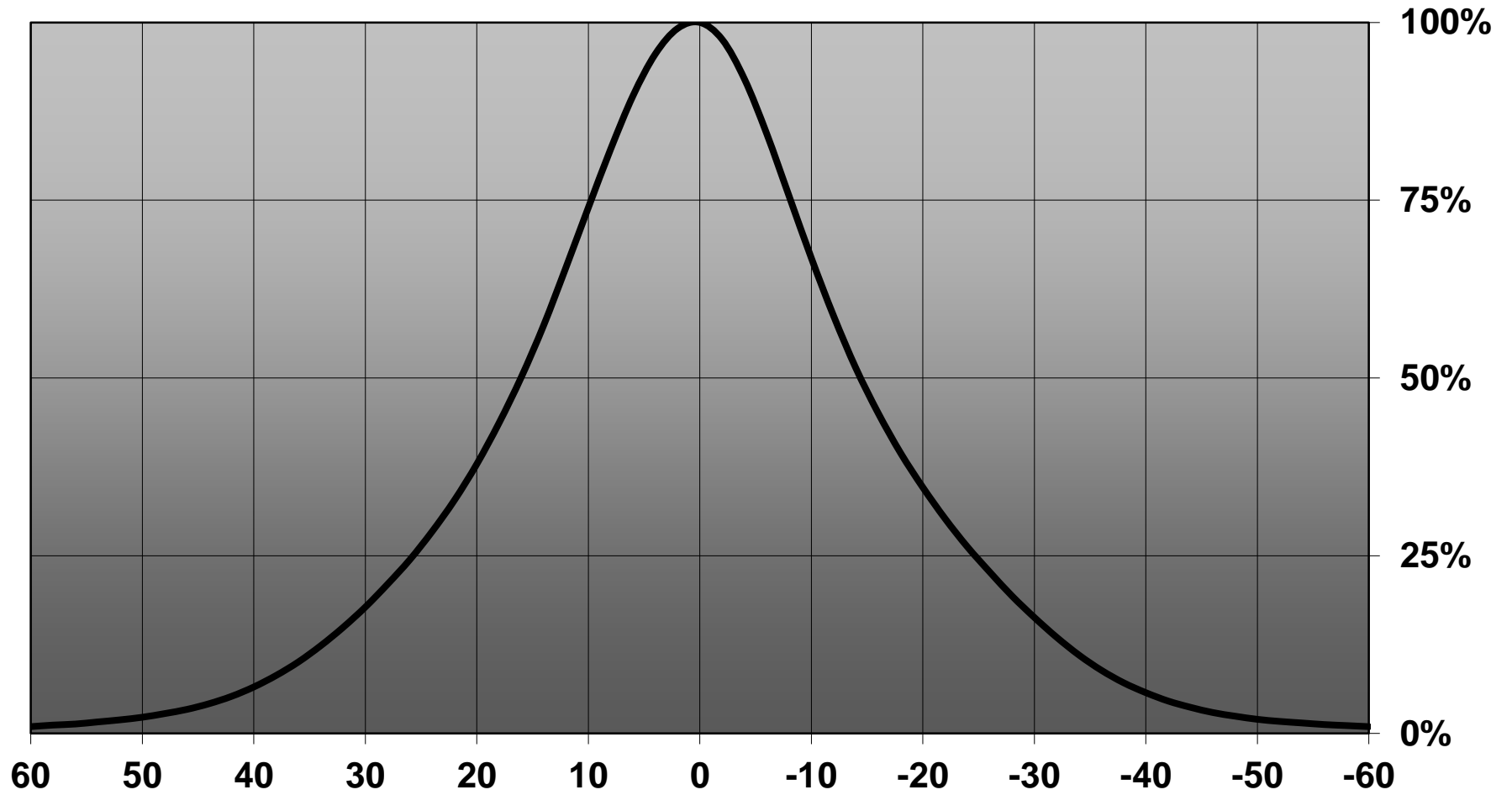
Product Number	CN13906_MIRELLA-50-M-PF-RZL
Family	Mirella
Type	RefPack
Color	metal
Diameter	49,9 mm
Height	25,6 mm
Style	round
Optic Material	PC
Holder Material	
Fastening	screw, socket
Status	production ready
ROHS Compliant	Yes
Date Updated	2/11/2016



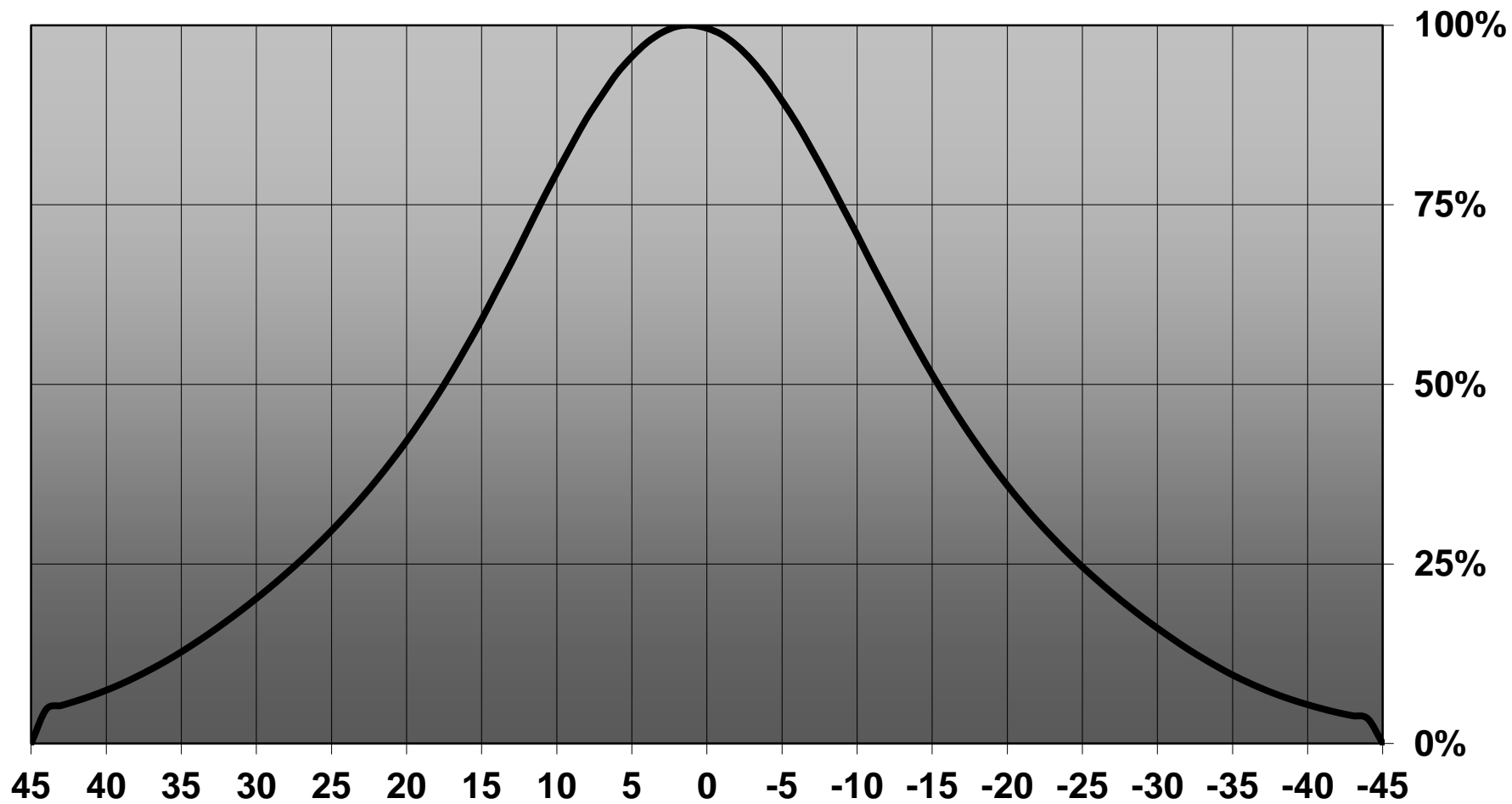
OPTICAL PROPERTIES

LED	Viewing	Light	Efficiency	cd/lm	Connector
	Angle	Beam			
CLL02x/CLU02x (LES10)	36 deg	Medium	-	1.000	-
CLU700/701	32 deg	Medium	81 %	1.700	-
XM-L RGB	31 deg	Medium	79 %	1.800	-
XHP50	31 deg	Medium	81 %	1.700	-
XHP70	33 deg	Medium	80 %	1.600	-
MHD-E/G	35+53 deg	Medium	83 %	1.500	-
XQ-E HI RGBW	30 deg	Medium	87 %	2.000	-
LUXEON Z RGB	28 deg	Medium	79 %	2.100	-
CXM-9	38 deg	Medium	82 %	1.400	-
Ostar-SMT RGB	29 deg	Medium	80 %	2.000	-
Duris S10	33 deg	Medium	81 %	1.800	LEDiL: LEDiL
OSTAR Stage (S2WP)	27 deg	Medium	83 %	2.230	LEDiL: LEDiL
Soleriq S9	sim: 32	Medium	sim: 86 %	sim: 2.000	-

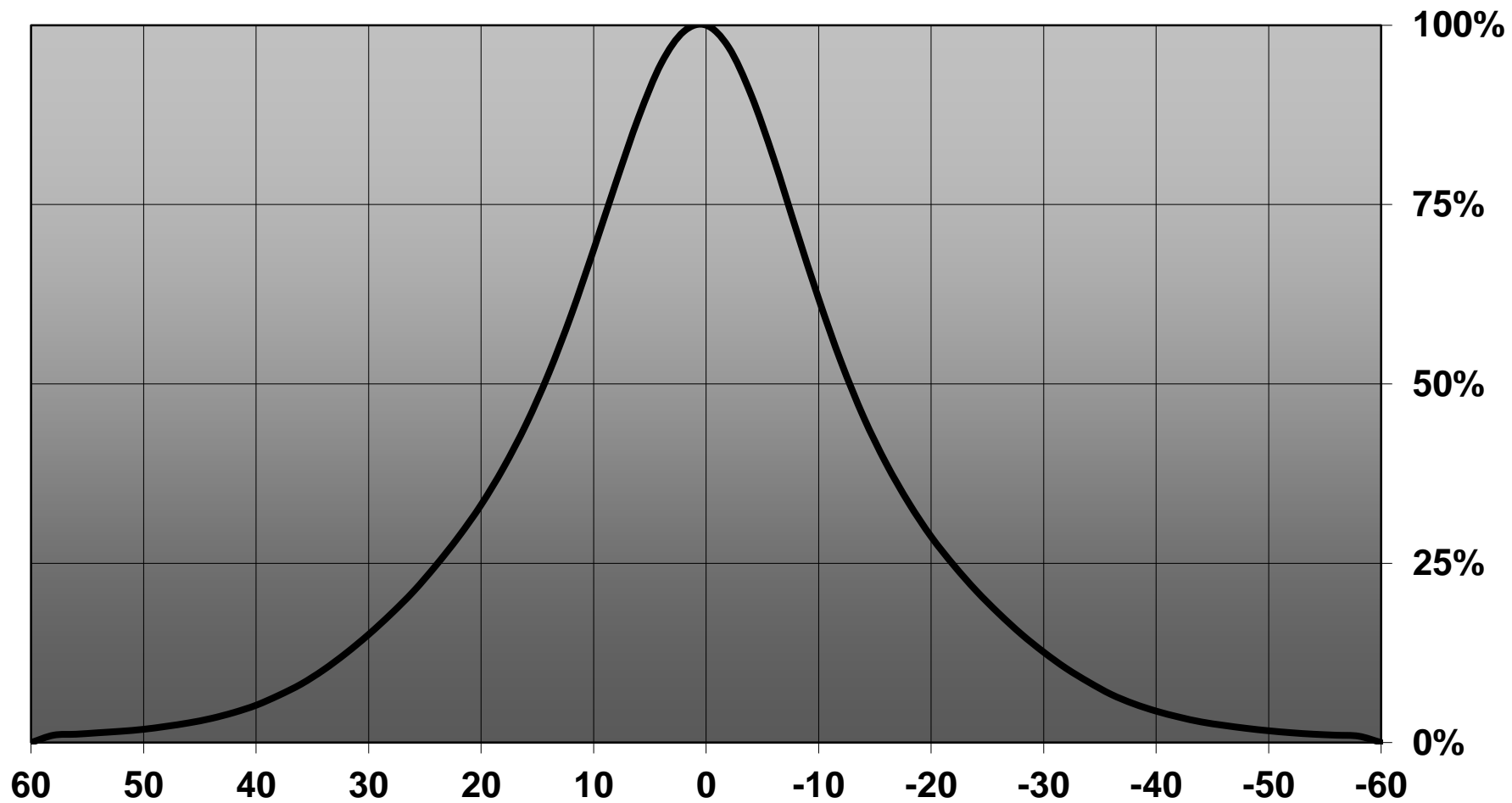
Relative intensity of CN13906_MIRELLA-50-M-PF-RZL_(XQ-E_HI_RGBW)



Relative intensity of CN13906_MIRELLA-50-M-PF-RZL_(Duris_S10)



Relative intensity of CN13906_MIRELLA-50-M-PF-RZL_(Osram_Stage_S2WP)



D

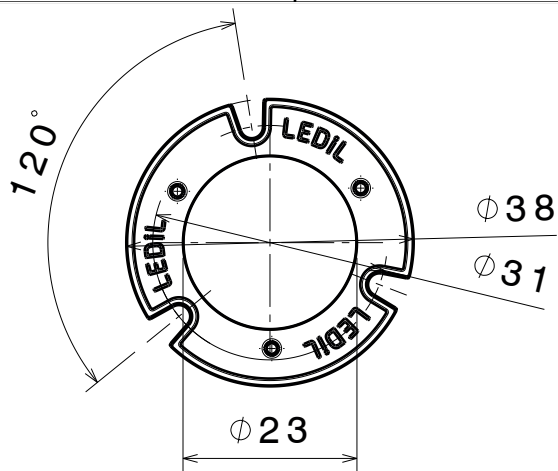
C

B

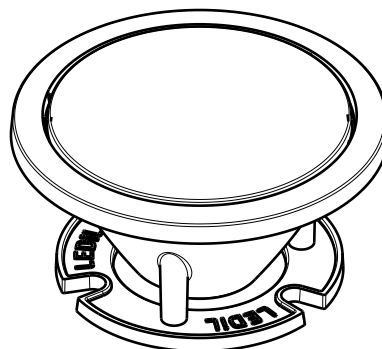
A

NOTE: It is recommended to use glue like DELO-PUR 9895 for pin fastening.

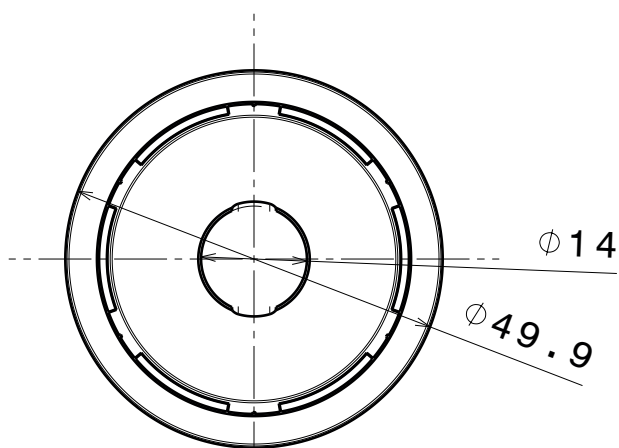
[http://www.delo.de/fileadmin/datasheet/DELO-PUR_9895_\(TIDB-GB\).pdf](http://www.delo.de/fileadmin/datasheet/DELO-PUR_9895_(TIDB-GB).pdf)



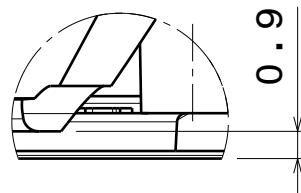
Front view



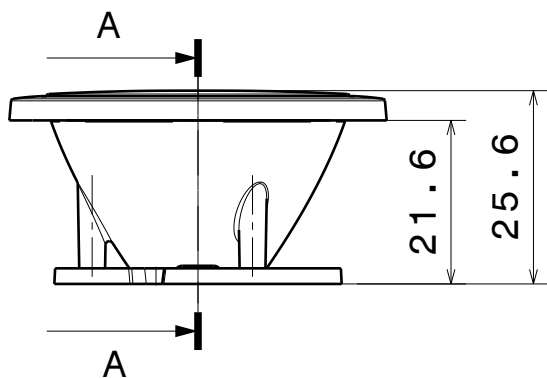
Isometric view



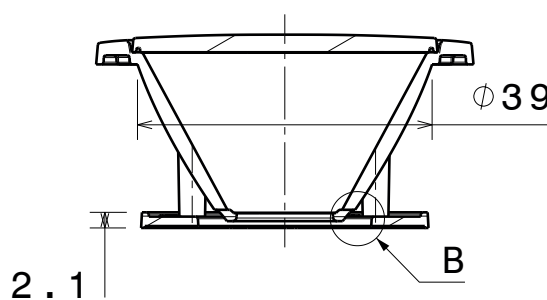
Top view



Detail B



Front view



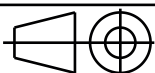
Section view A-A

Tolerances if not otherwise shown
According to DIN ISO 2768-1
Linear measures:
Up to 30mm class M, otherwise class C.
According to DIN ISO 2768-2
Form and position: class L

LEDiL

Ledil Oy
Salorankatu 10
FIN 24240 SALO
Finland

THIRD ANGLE PROJECTION:



DRAWING TITLE

MIRELLA-PF-RZL Datasheet

This drawing is the property of LEDiL Oy. It may not be reproduced, copied or communicated without a written agreement with LEDiL Oy.

SIZE PART NUMBER

A4

-

SCALE 1:1 WEIGHT

-

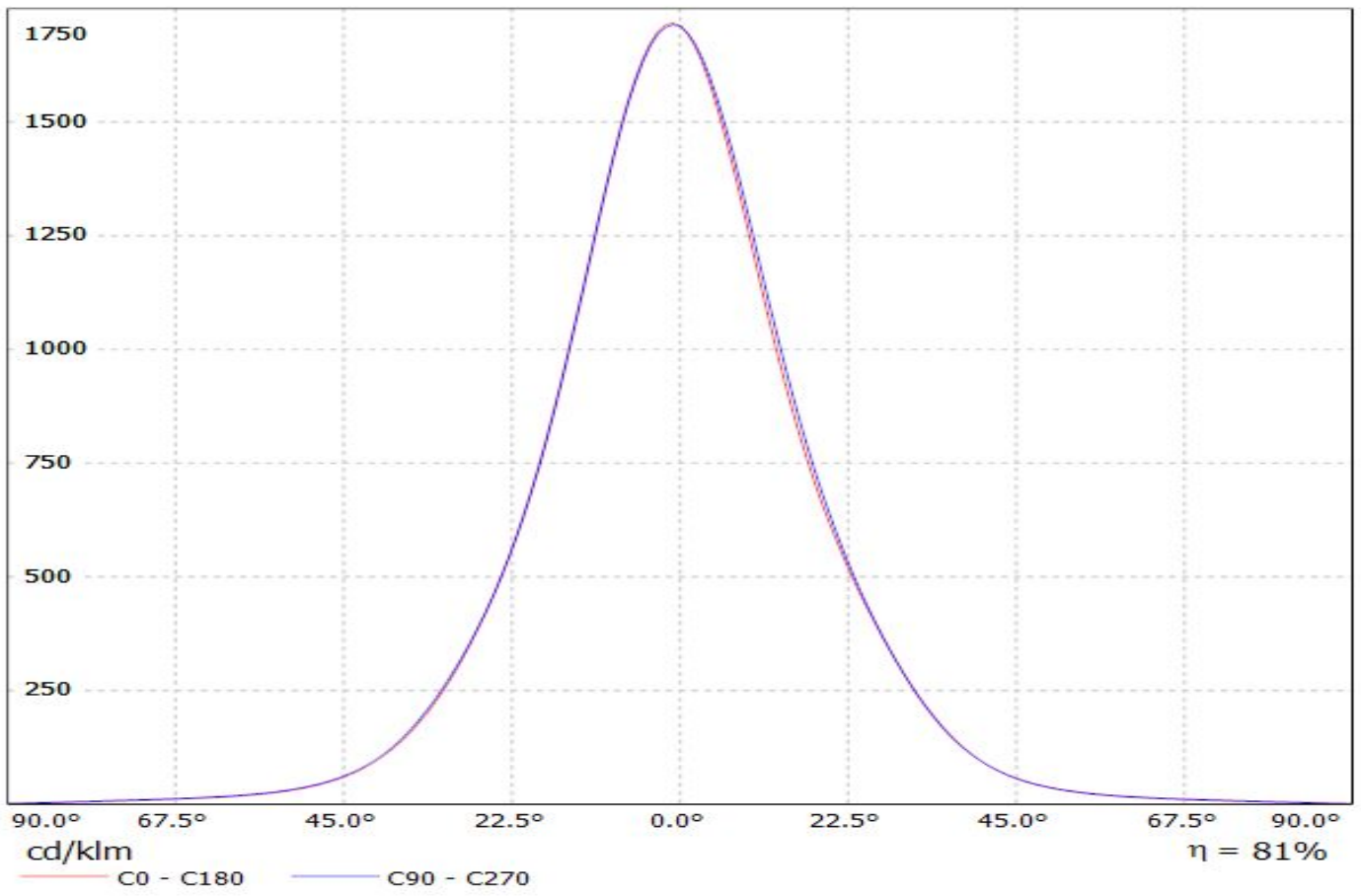
SHEET 1/1

D

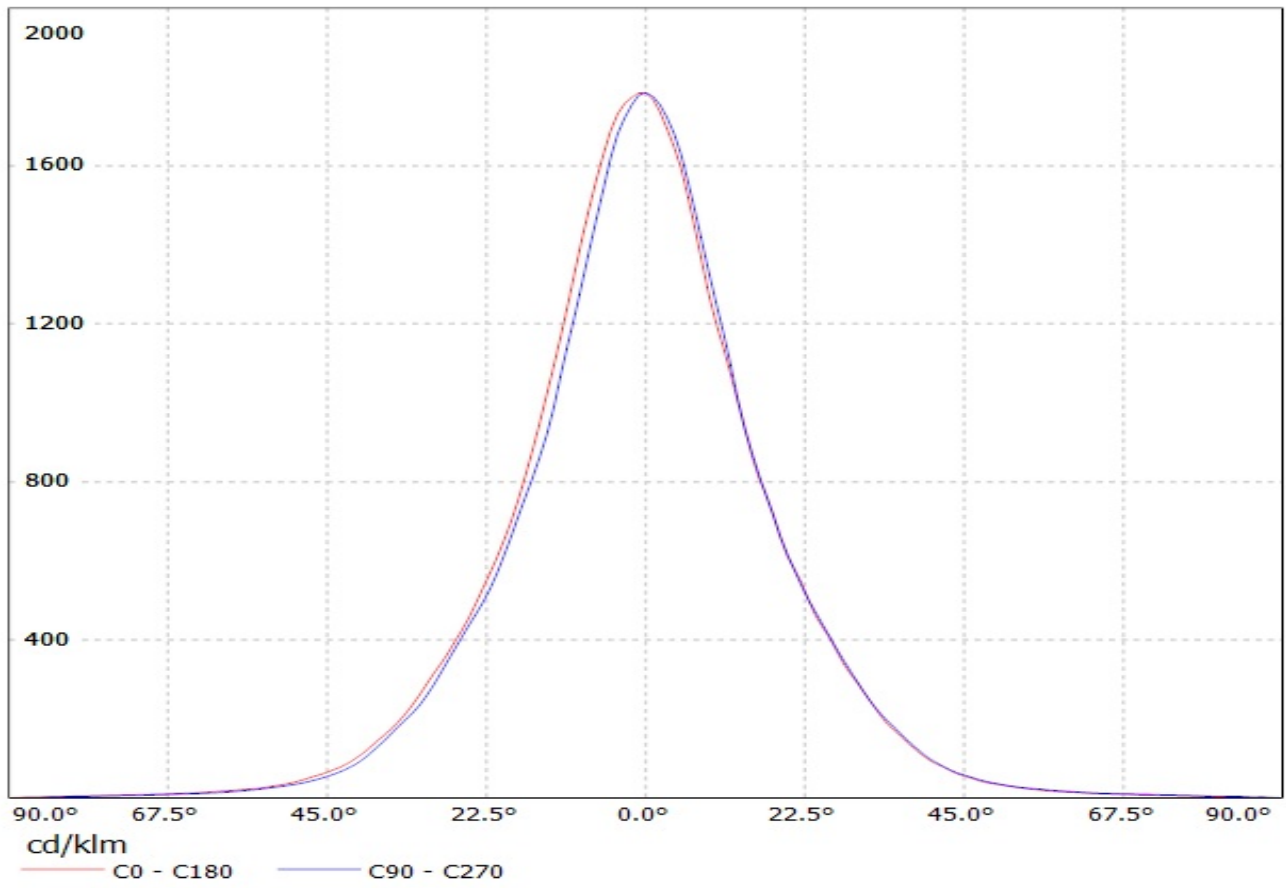
A

Luminaire: LEDiL Oy CN13906_MIRELLA-50-M-PF-RZL_(CLU700)

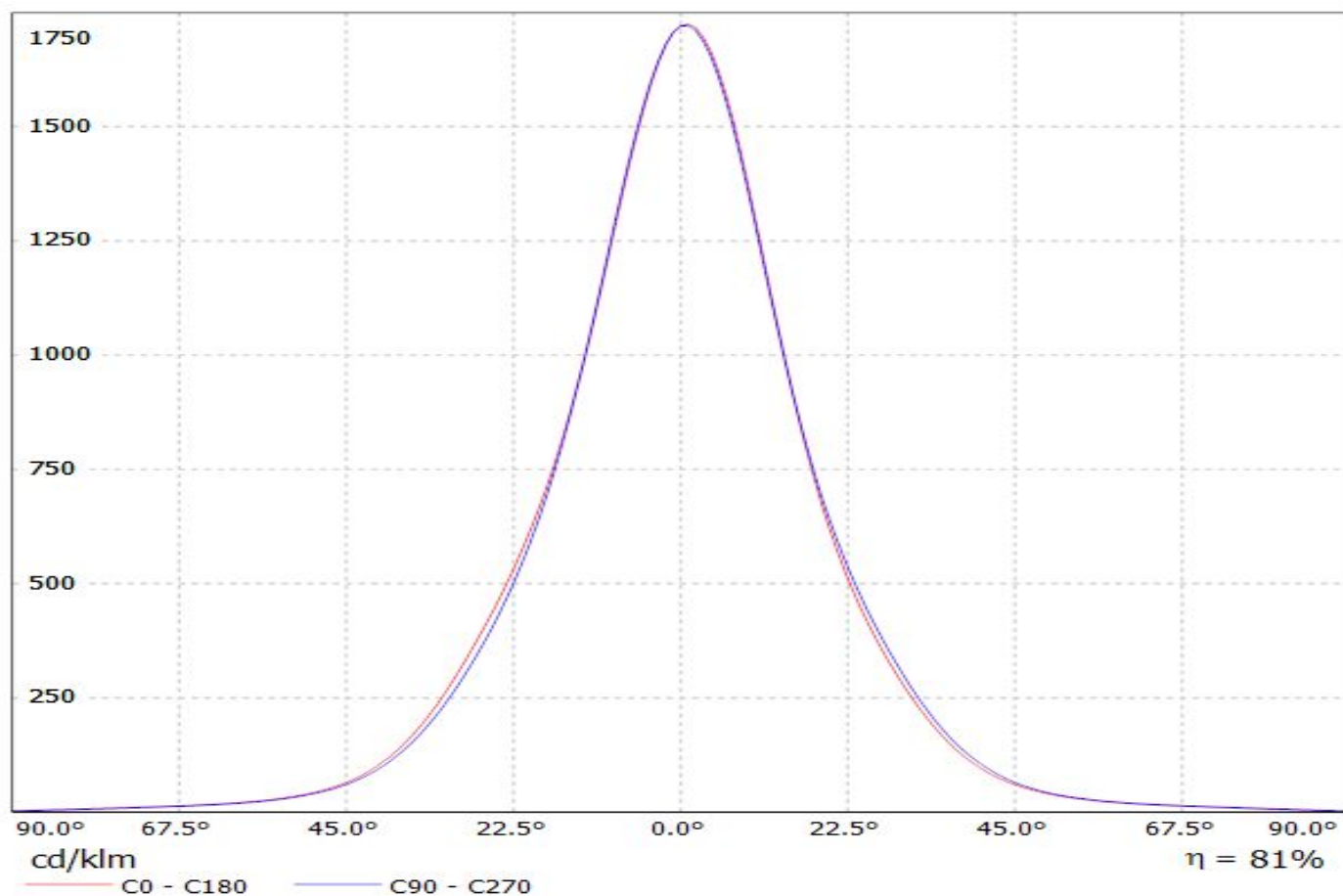
Lamps: 1 x Citizen_CLU700_(C13083_PF-SOCKET)_384.09lm@100mA_P=2.90608W_I=0.1044A



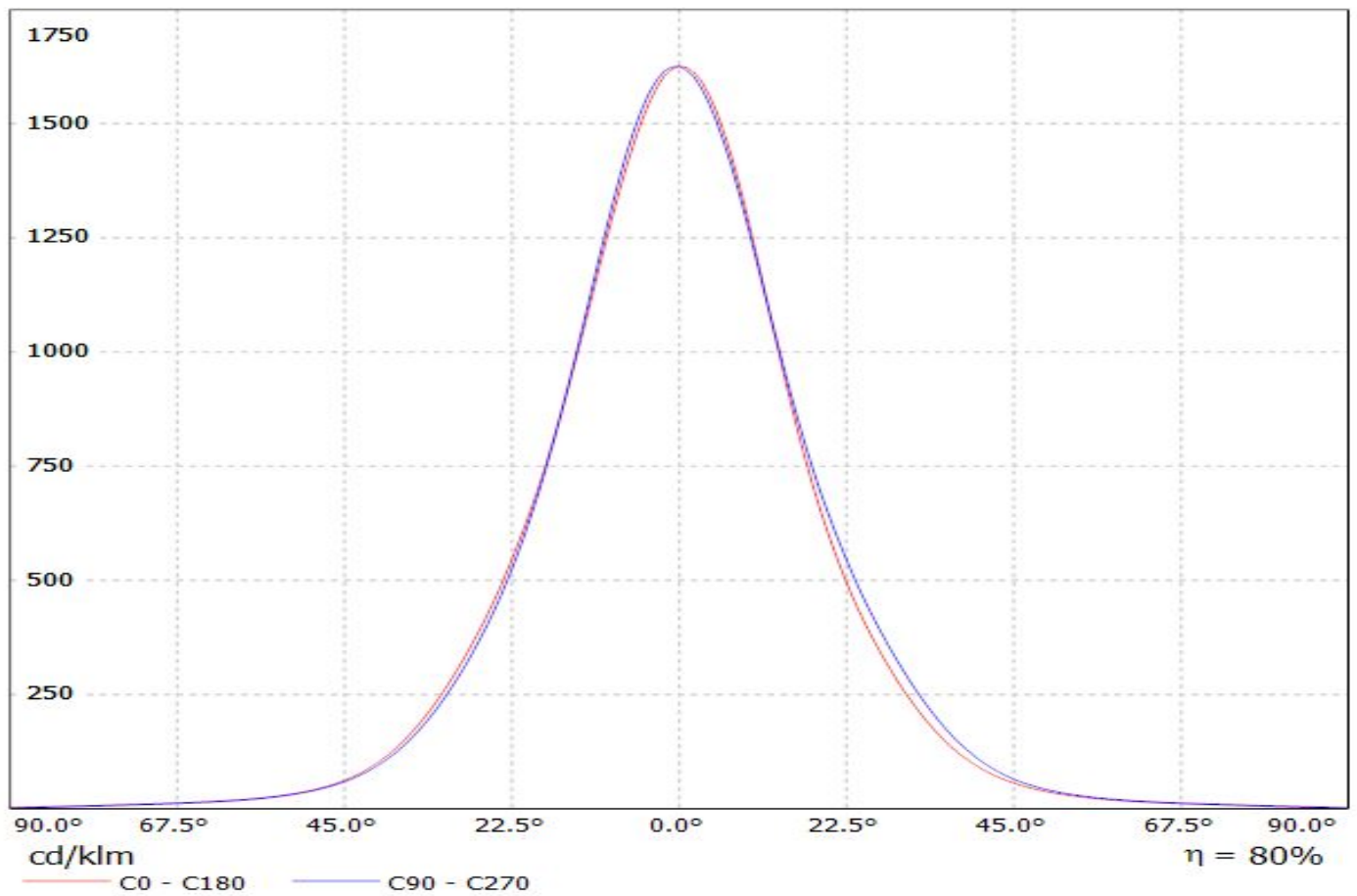
Luminaire: Ledil Oy CN13906_MIRELLA-50-M-PF-RZL (XM-L_RGB) Efficiency=79%
Lamps: 1 x Cree XM-L RGB (206lm @ 250mA) CCT= P=2.8W I=250mA



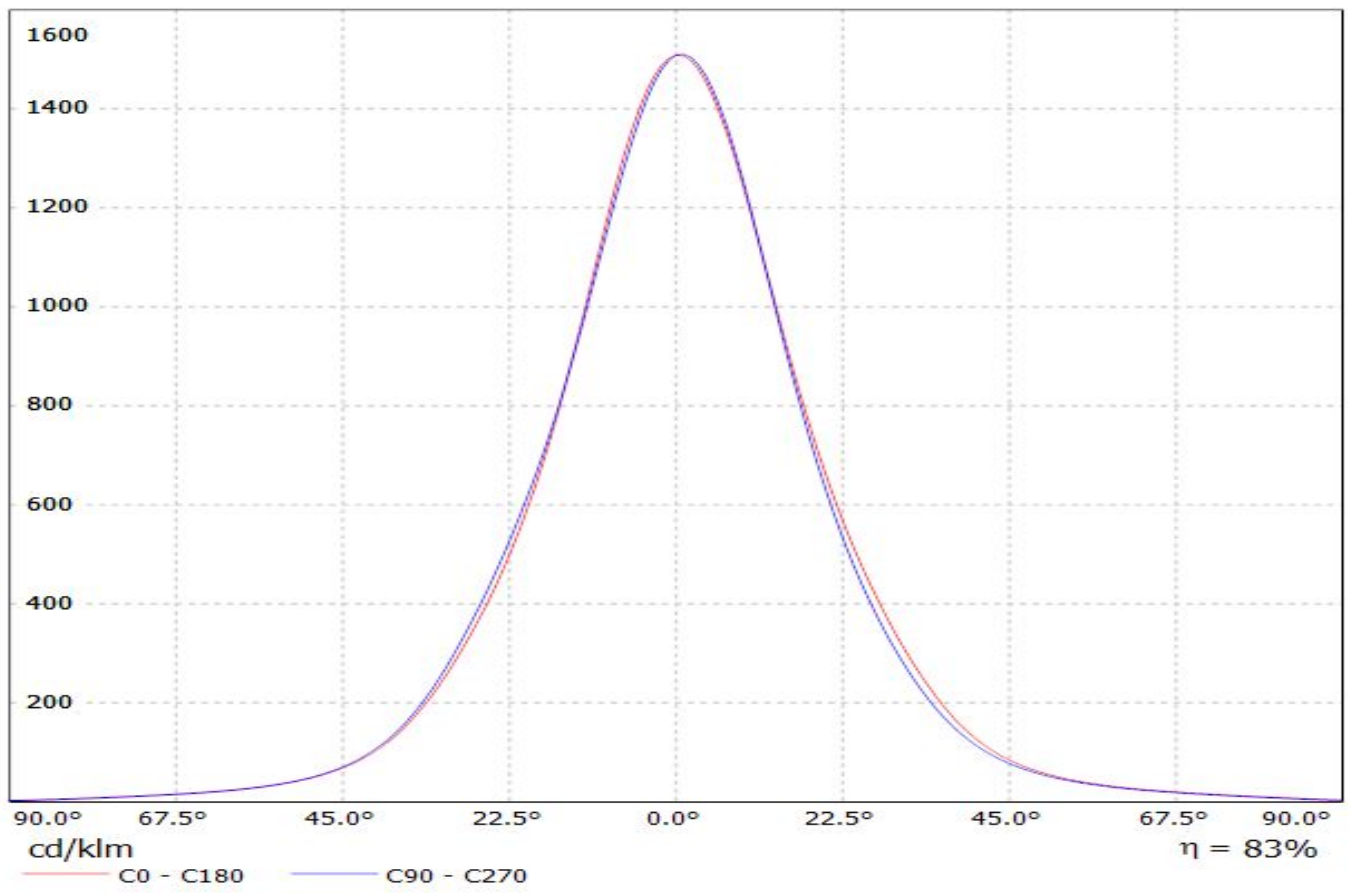
Luminaire: LEDiL Oy CN13906_MIRELLA-50-M-PF-RZL_(CREE_XHP50_WARM_WHITE)
Lamps: 1 x CREE_XHP50_WARM_WHITE_195.088lm@250mA_P=1.40004W_I=0.2499A



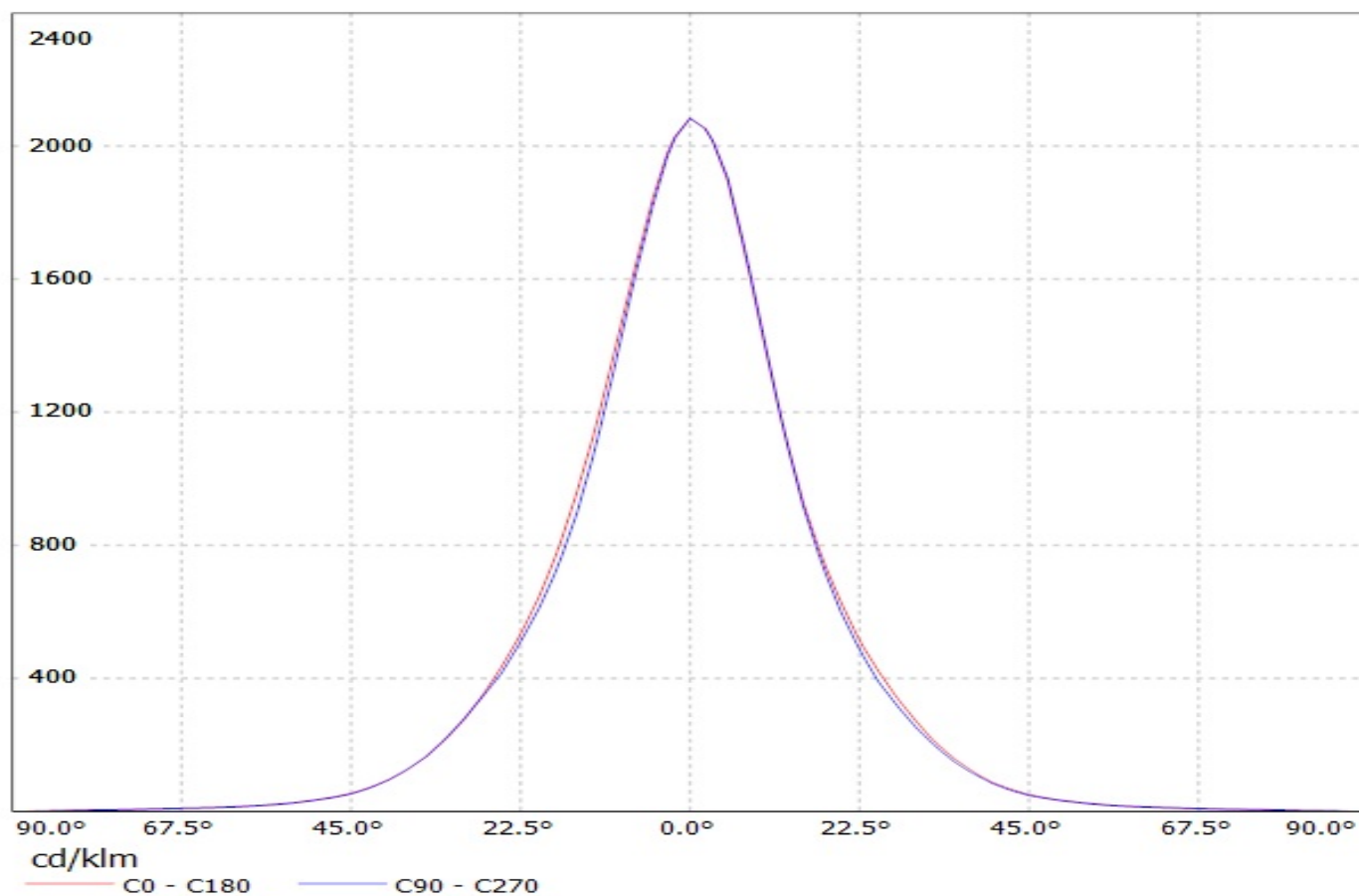
Luminaire: LEDiL Oy CN13906_MIRELLA-50-M-PF-RZL_(CREE_XHP70)
Lamps: 1 x CREE_XHP70_260.212lm@250mA_P=1.383W_η=0.2499A



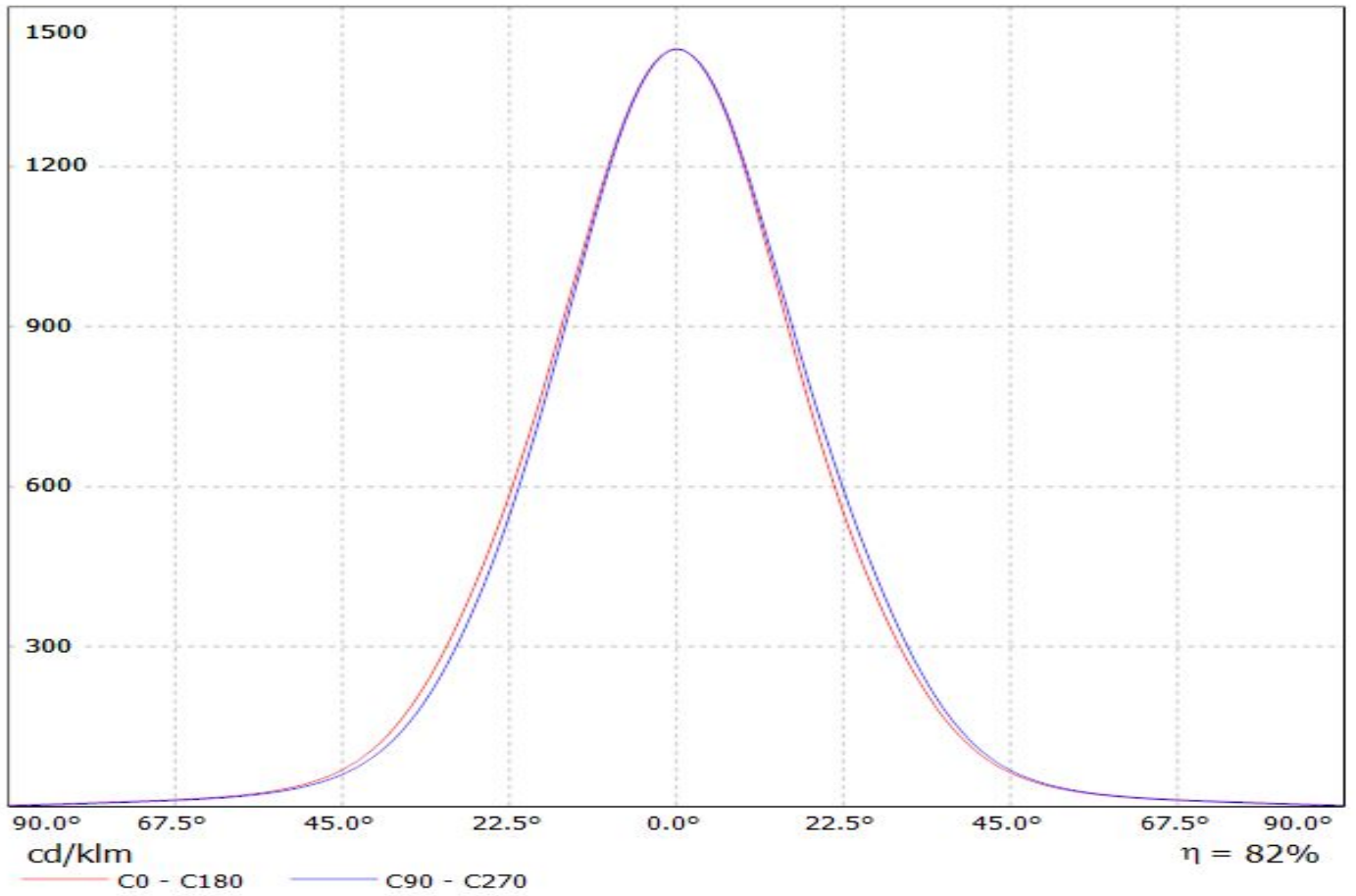
Luminaire: Ledil CN13906_MIRELLA-50-M-PF-RZL_(MHD-G)
Lamps: 1 x Cree MHD-G_530.44lm@100mA_P=3.0W_I=0.100A



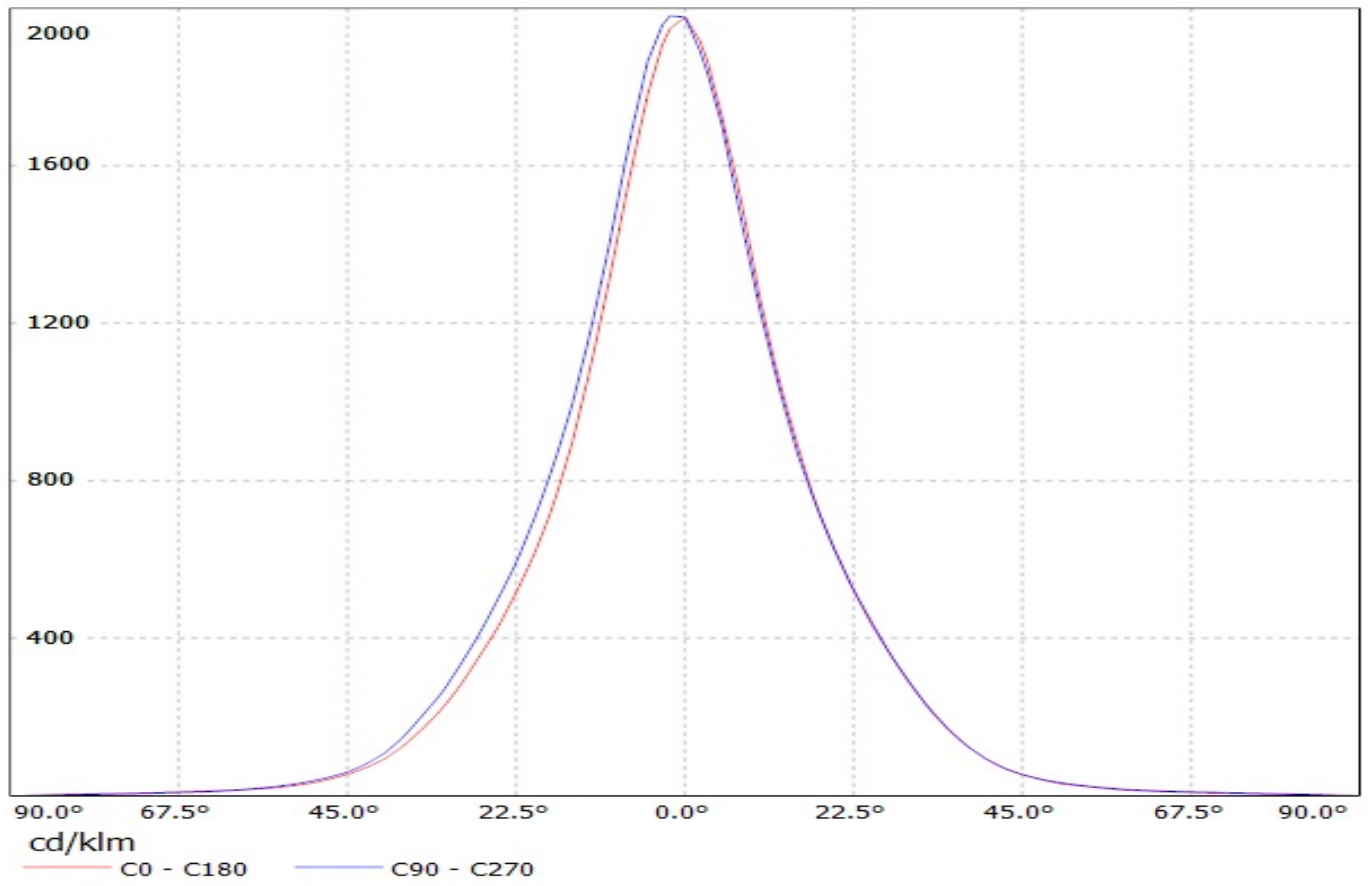
Luminaire: LEDil Oy CN13906_MIRELLA-50-M-PF-RZL_(Luxeon_Z_RGB) Efficiency=78%
Lamps: 1 x Philips Lumileds Luxeon RGB (164lm @ 250mA) P=2.6W I=250mA



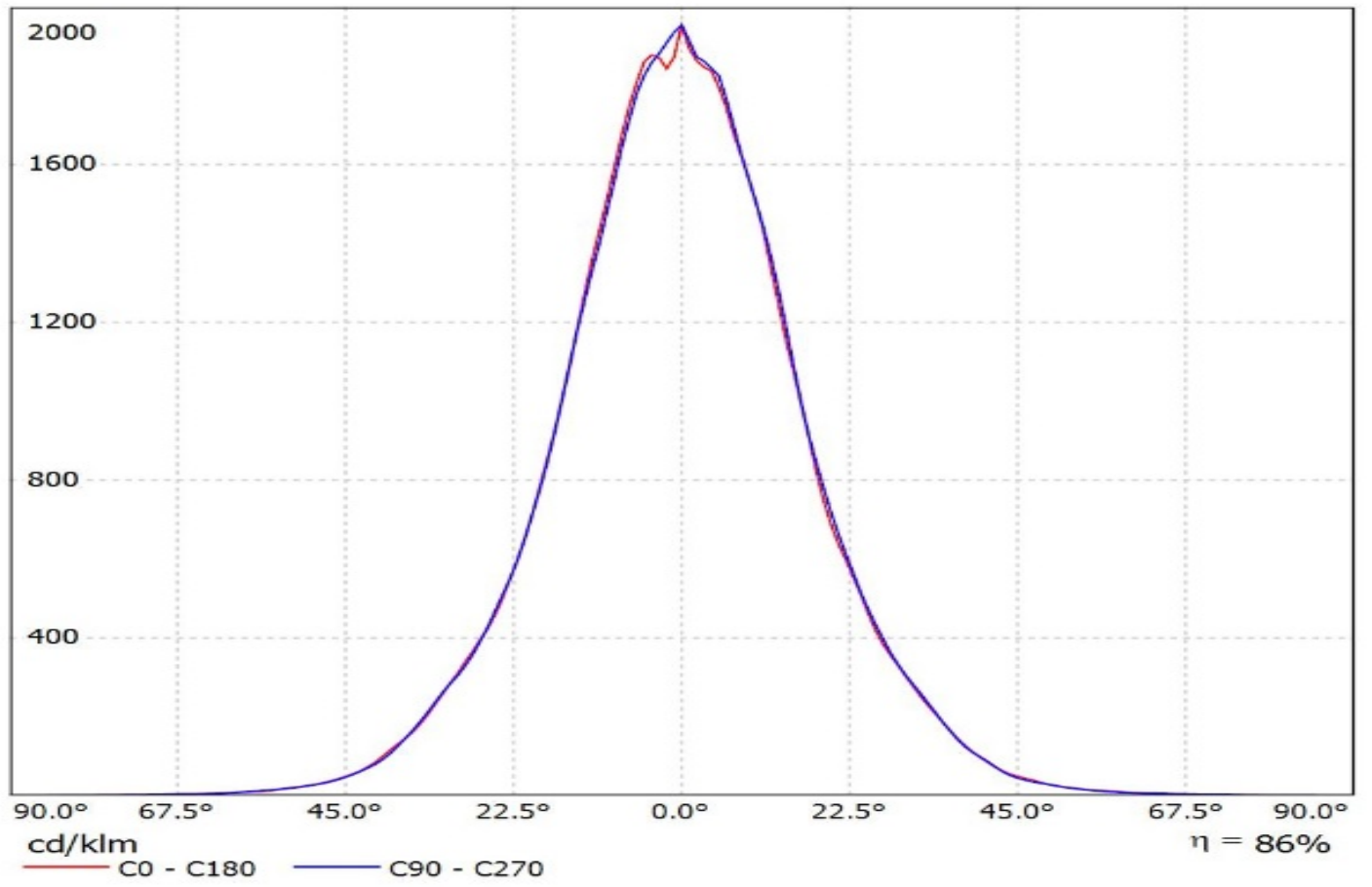
Luminaire: LEDiL Oy CN13906_MIRELLA-50-M-PF-RZL_(CXM-9)
Lamps: 1 x Luminus_XNOVA_CXM-9_962.046lm@240mA_P=8.29334W_I=240mA



Luminaire: Ledil Oy CN13906_MIRELLA-50-M-PF-RZL_(Ostar-SMT_RGB) Efficiency=80%
Lamps: 1 x Osram Ostar_SMT RGB 164lm @ 250mA CCT= P=3.0W I=250mA

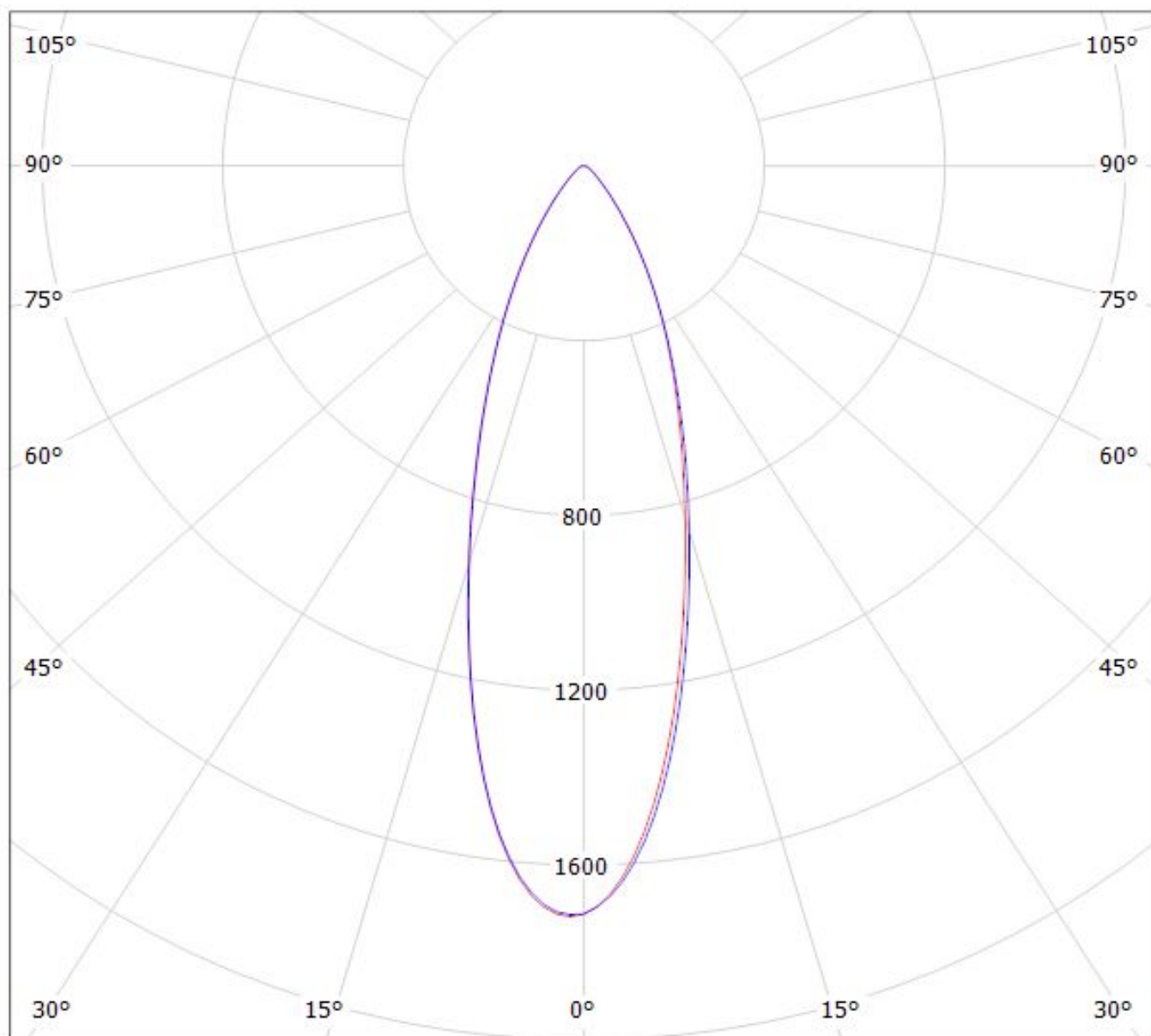


Luminaire: Ledil Oy CN13906_MIRELLA-50-M-PF-RZL_(Soleriq_S9)_SIMULATED
Lamps: 1 x Osram Soleriq S9 (GW KAFJB3.EM)



Luminaire: LEDiL Oy CN13906_MIRELLA-50-M-PF-RZL_(CLU700)

Lamps: 1 x Citizen_CLU700_(C13083_PF-SOCKET)_384.09lm@100mA_P=2.90608W_I=0.1044A



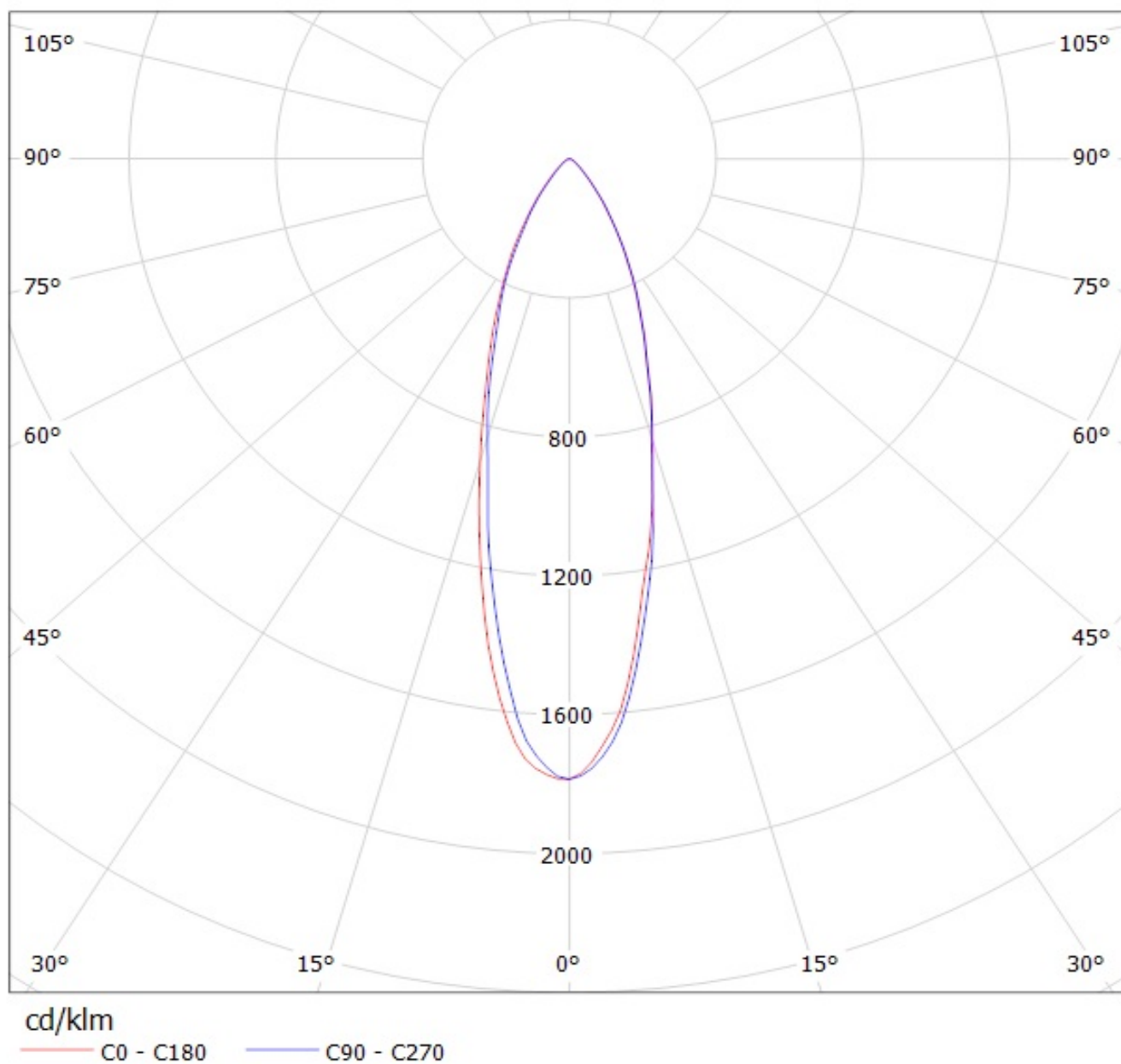
cd/klm

$\eta = 81\%$

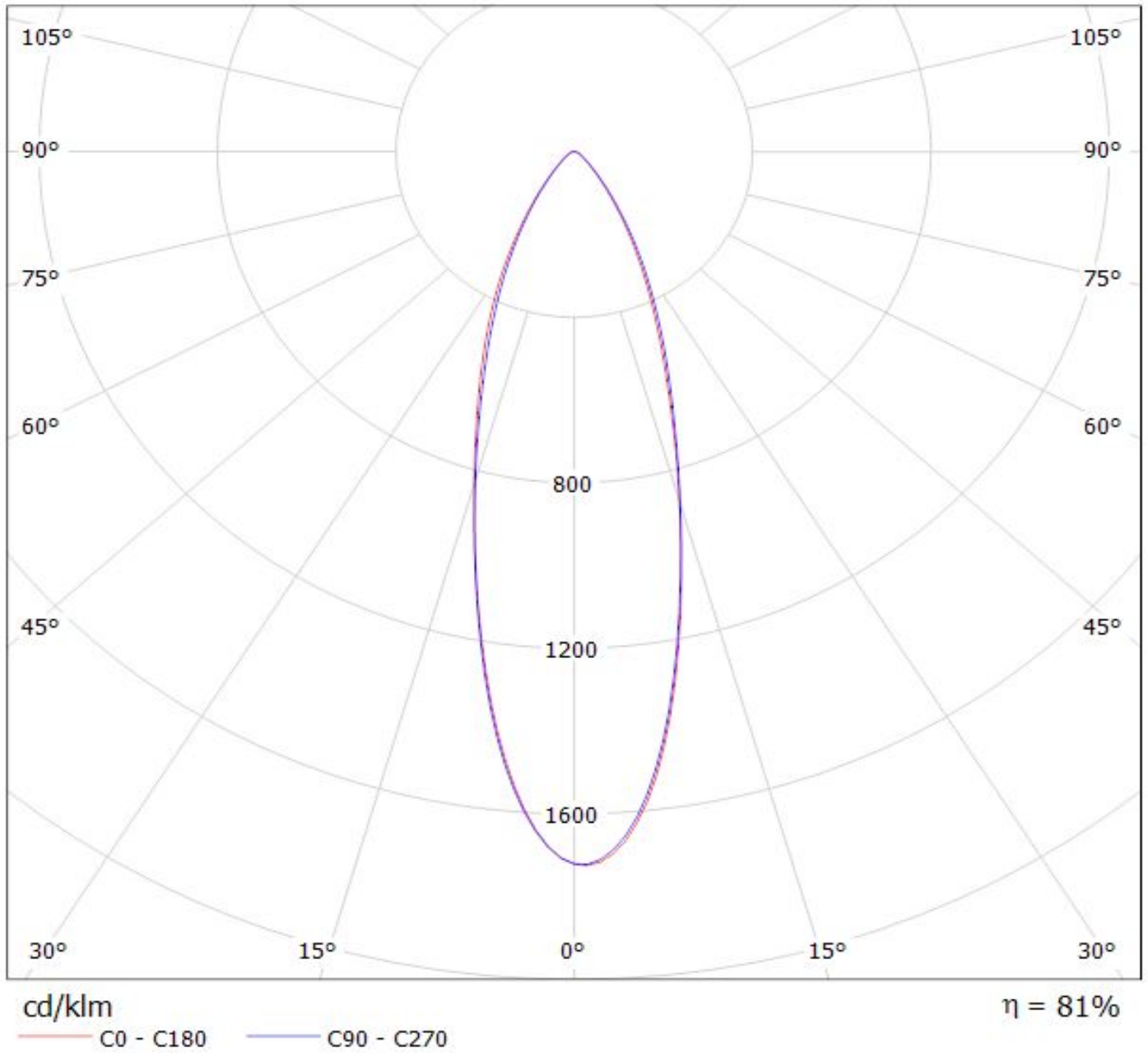
— C0 - C180

— C90 - C270

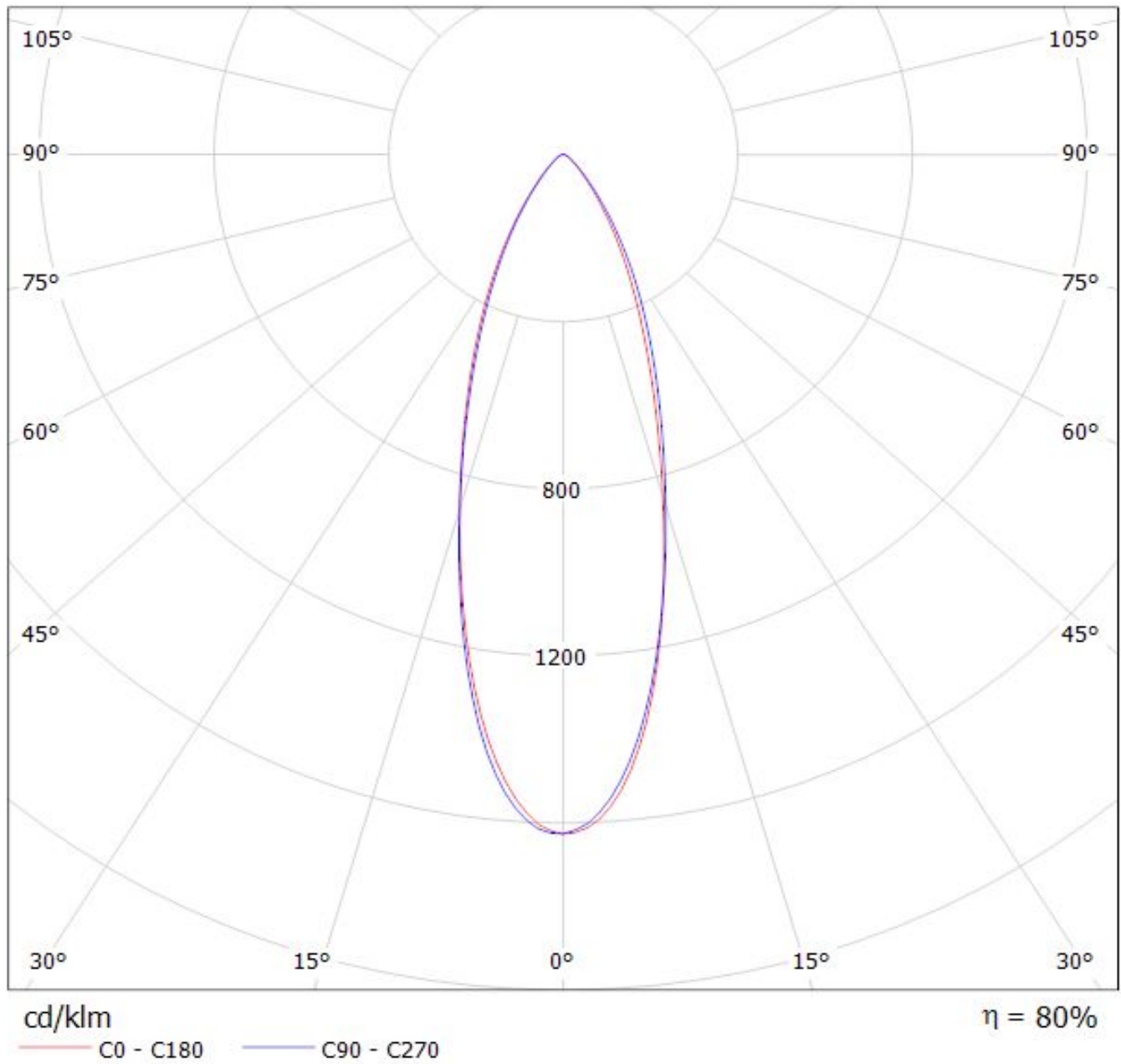
Luminaire: Ledil Oy CN13906_MIRELLA-50-M-PF-RZL_(XM-L_RGB) Efficiency=79%
Lamps: 1 x Cree XM-L RGB (206lm @ 250mA) CCT= P=2.8W I=250mA



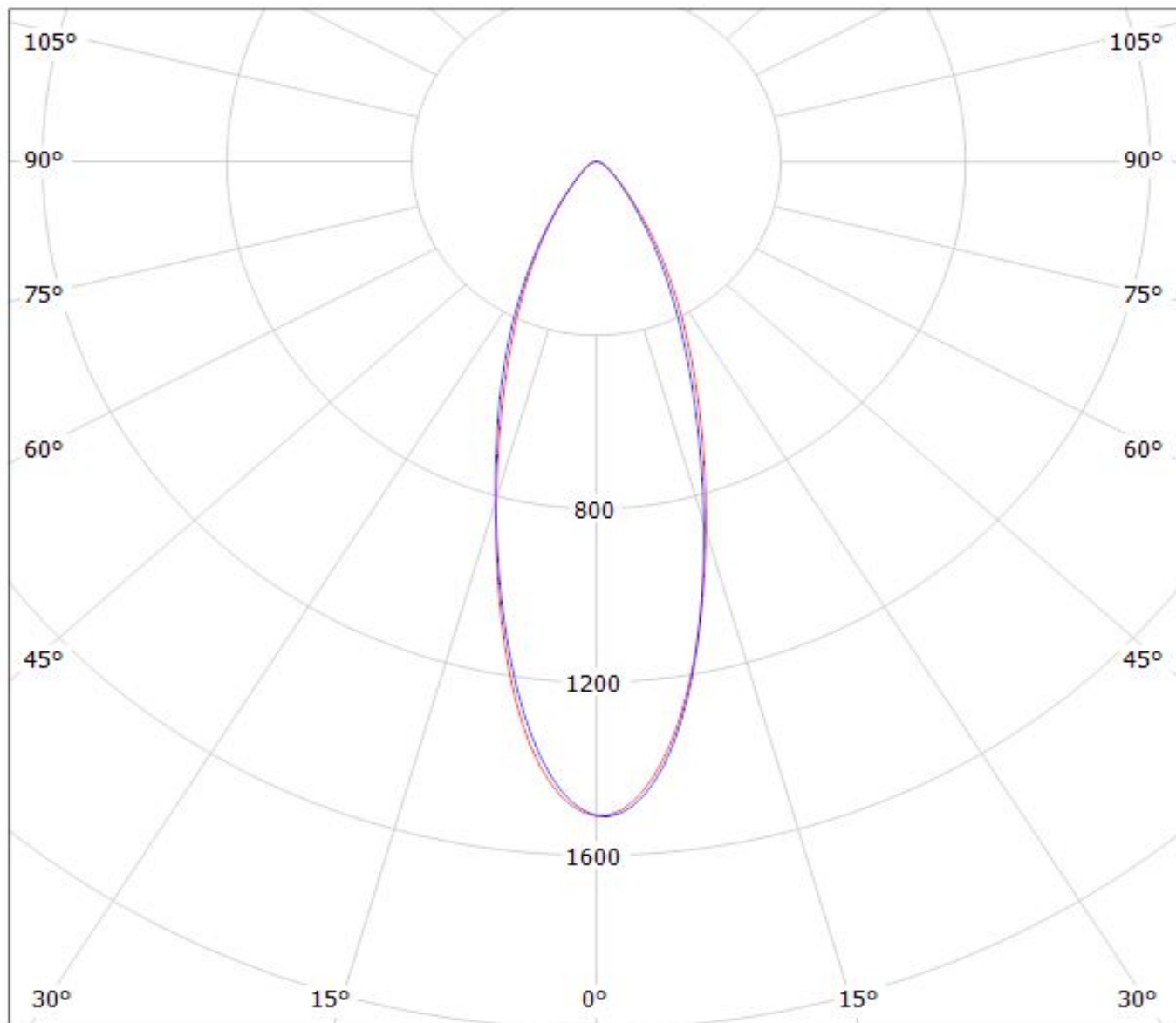
Luminaire: LEDiL Oy CN13906_MIRELLA-50-M-PF-RZL_(CREE_XHP50_WARM_WHITE)
Lamps: 1 x CREE_XHP50_WARM_WHITE_195.088lm@250mA_P=1.40004W_I=0.2499A



Luminaire: LEDiL Oy CN13906_MIRELLA-50-M-PF-RZL_(CREE_XHP70)
Lamps: 1 x CREE_XHP70_260.212lm@250mA_P=1.383W_I=0.2499A



Luminaire: Ledil CN13906_MIRELLA-50-M-PF-RZL_(MHD-G)
Lamps: 1 x Cree MHD-G_530.44lm@100mA_P=3.0W_I=0.100A

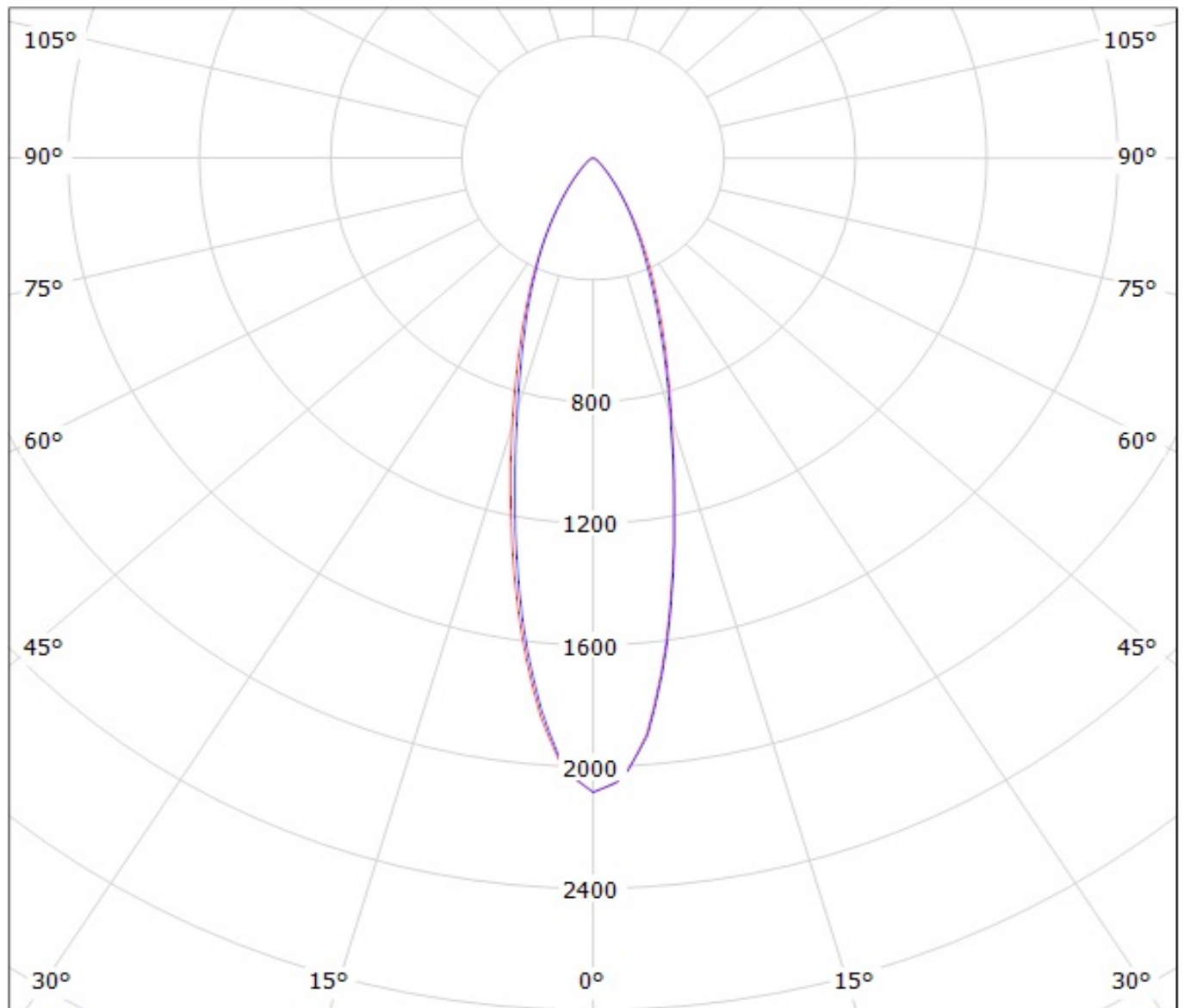


cd/klm

$\eta = 83\%$

— C0 - C180 — C90 - C270

Luminaire: LEDil Oy CN13906_MIRELLA-50-M-PF-RZL_(Luxeon_Z_RGB) Efficiency=78%
Lamps: 1 x Philips Lumileds Luxeon RGB (164lm @ 250mA) P=2.6W I=250mA



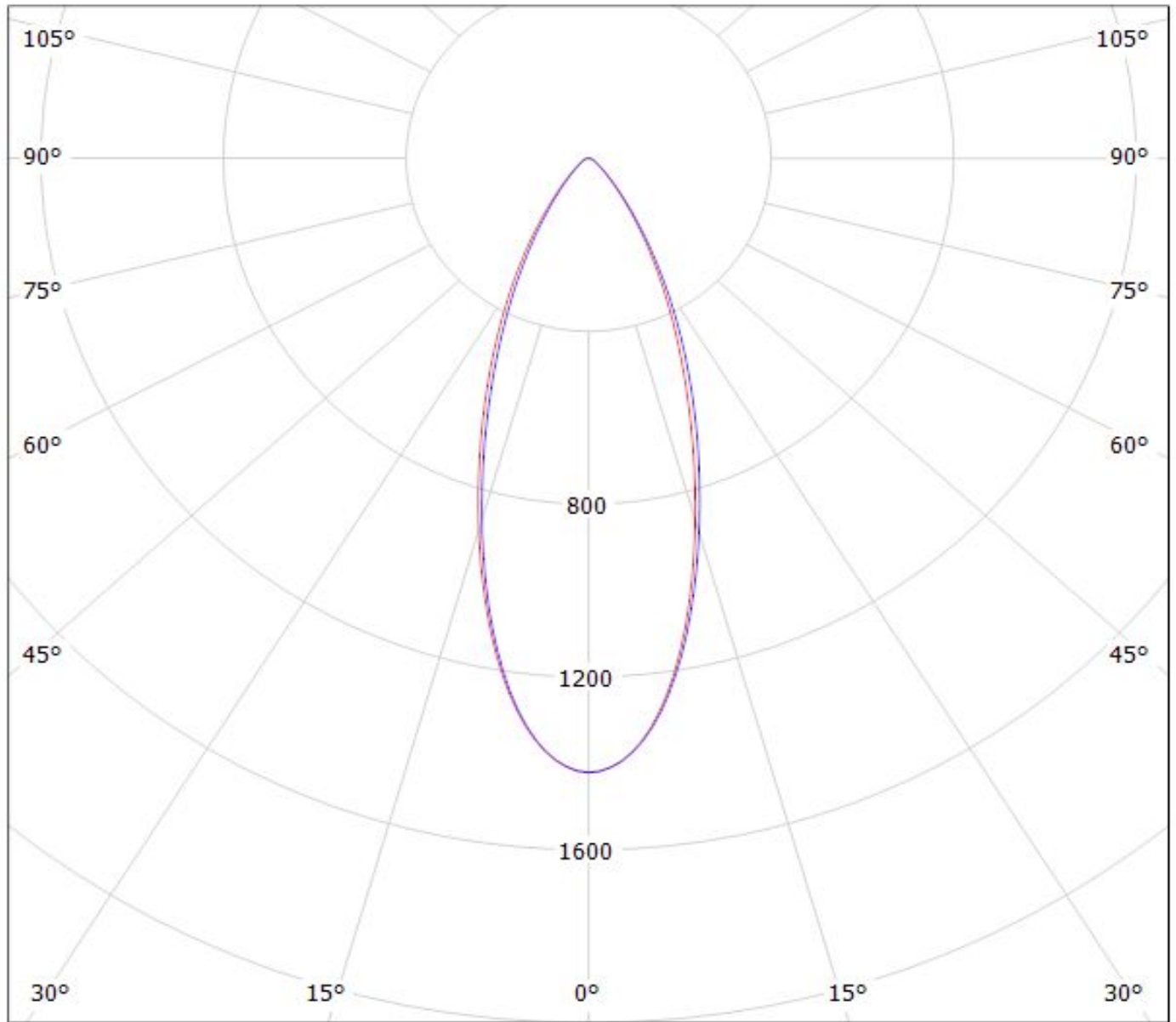
cd/klm

— C0 - C180

— C90 - C270

Luminaire: LEDiL Oy CN13906_MIRELLA-50-M-PF-RZL_(CXM-9)

Lamps: 1 x Luminus_XNOVA_CXM-9_962.046lm@240mA_P=8.29334W_I=240mA



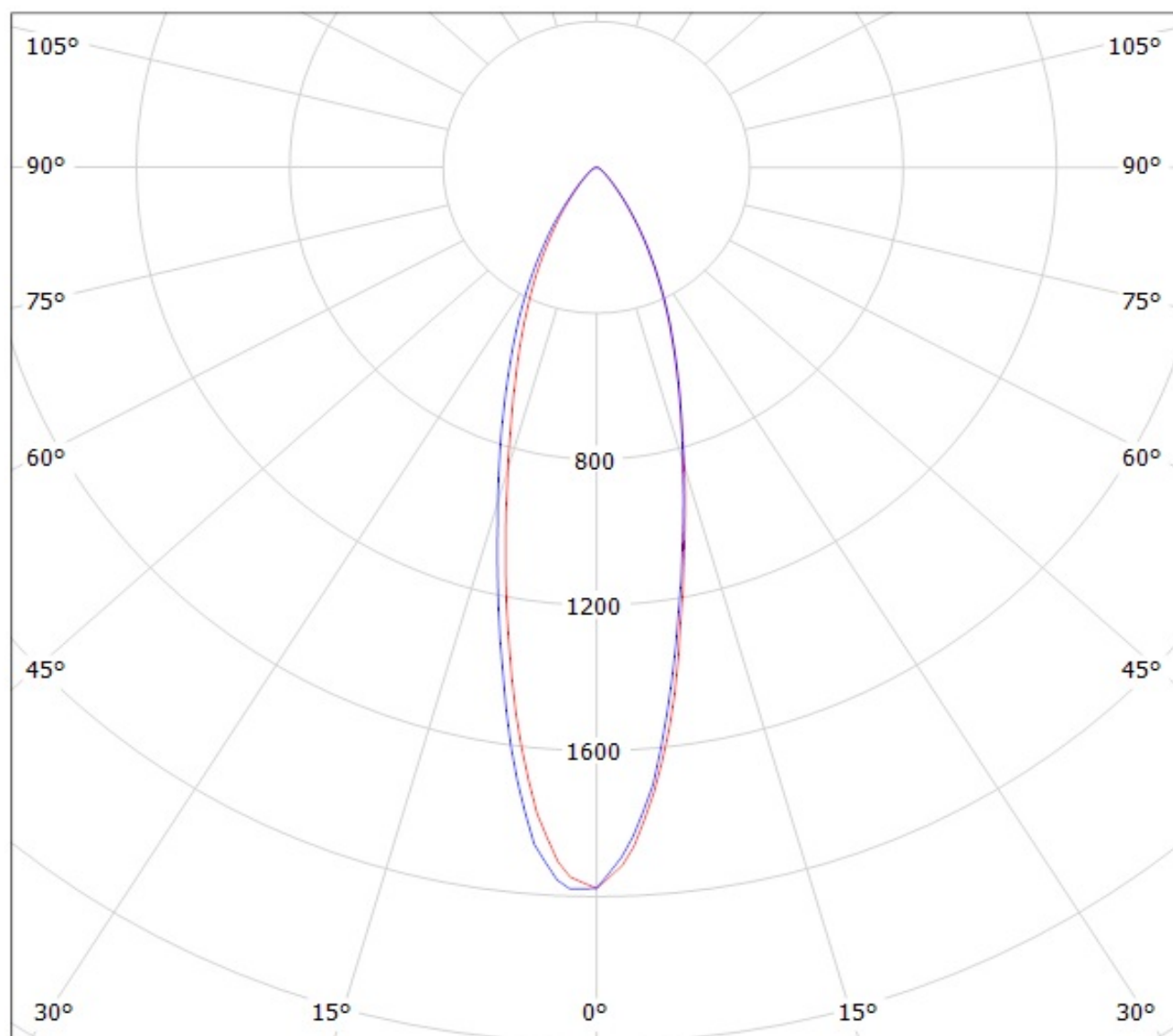
cd/klm

— C0 - C180

— C90 - C270

$\eta = 82\%$

Luminaire: Ledil Oy CN13906_MIRELLA-50-M-PF-RZL_(Ostar-SMT_RGB) Efficiency=80%
Lamps: 1 x Osram Ostar_SMT RGB 164lm @ 250mA CCT= P=3.0W I=250mA

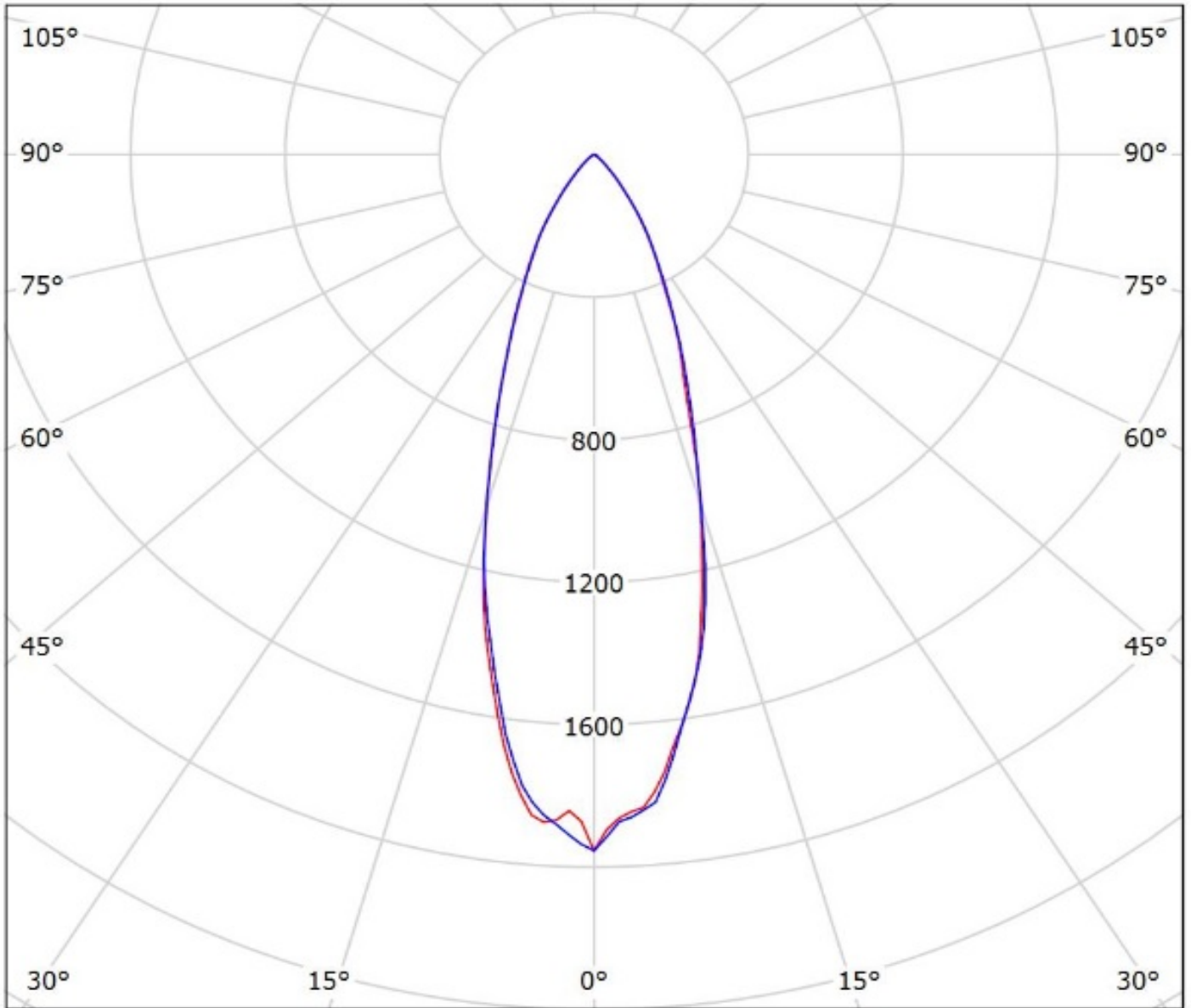


cd/klm

— C0 - C180

— C90 - C270

Luminaire: Ledil Oy CN13906_MIRELLA-50-M-PF-RZL_(Soleriq_S9)_SIMULATED
Lamps: 1 x Osram Soleriq S9 (GW KAFJB3.EM)



cd/klm

— C0 - C180 — C90 - C270

$\eta = 86\%$

NOTE: The typical divergence will be changed by different color, chip size and chip position tolerance. The typical total divergence is the full angle measured where the luminous intensity is half of the peak value.

GENERAL INFORMATION

- Product series especially designed & optimized for series of LEDs.
- Special care taken to make light distribution as uniform as possible.

Note! Due to use of high power COB's with this product, special attention to proper thermal design is highly recommended. LEDiL has no liability for direct, indirect or consecutive damages arising from the LEDiL products being used outside of the recommended temperature range.