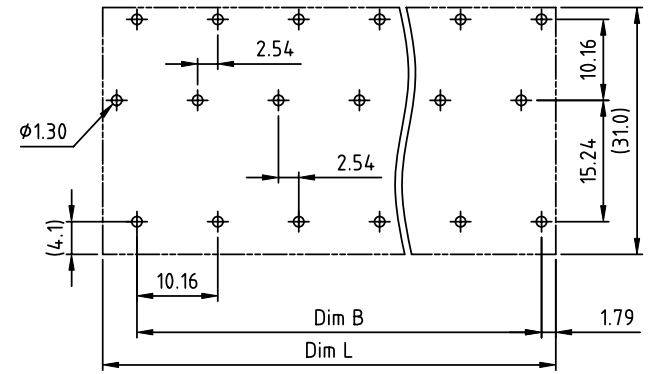
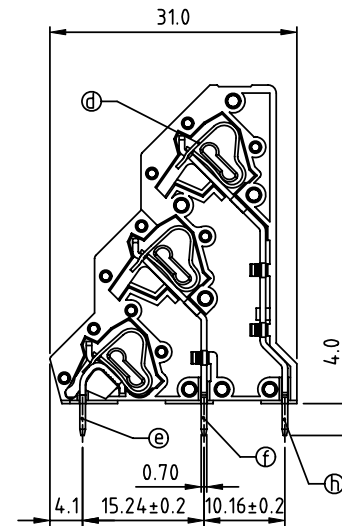
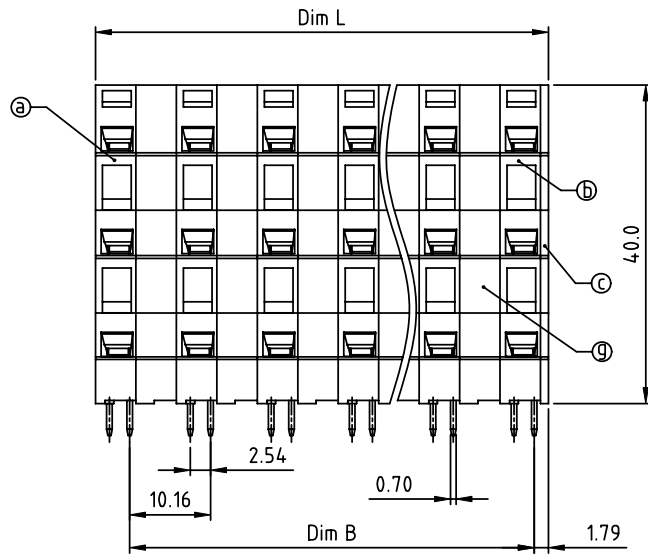


PRODUCT NUMBER	PITCH
HRxx40x100J0G	10.16mm



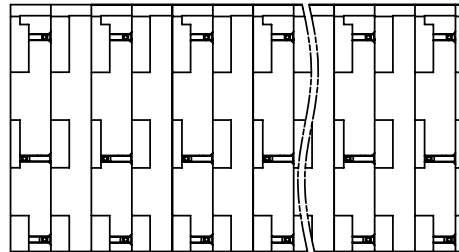
RECOMMENDED P.C.B LAYOUT
TOP VIEW

Material:

- Item a Terminal side housing: Thermoplastic (UL94V-0)
- Item b Terminal housing: Thermoplastic (UL94V-0)
- Item c Terminal cover: Thermoplastic (UL94V-0)
- Item d Spring clamp: Stainless steel
- Item e Short bin: Brass, Tin plated
- Item f Middle pin: Brass, Tin plated
- Item g Long pin: Brass, Tin plated
- Item h Empty body: Thermoplastic (UL94V-0)

Electrical:

- Voltage rating: cULus 300V
- Current rating: 10A
- Wire range:
- Solid wire(AWG): 12-28
- Stranded wire(AWG): 12-28
- Wire strip length: 5-6mm
- Withstanding Voltage: 1.6KV
- Operating temperature: -40°C to +115°C
- Soldering temperature: 260°C±5°C/5 Sec
- Safety Approval: cULus



PART NO.: HR xx 40 x 100J0 G

N=Number of poles
Dim L=(N/3-1)×10.16+6.08
Dim B=(N/3-1)×10.16

Poles	Dim L	Dim B
3×2p-3×6p	±0.15	±0.15
3×7p-3×12p	±0.30	±0.30

No. of poles	Color	RoHS compliant (lead<4% In copper Alloy)
0	Black (RAL9005)	
2	Red (RAL3001/D)	
06 3x2 poles	3 Orange(RAL2011/P)	
09 3x3 poles	4 Yellow(RAL1018/A)	
...	5 Green(RAL6018/T)	
36 3x12 poles	6 Blue (RAL5015/A)	
	8 Grey(RAL7004/P)	
	9 White(RAL1102)	
	C Multiple colors	

mat'l. code		surface ASME Y14.5	tolerance ASME Y14.5	projection	product family
ltr ecn no dr date		tolerances unless otherwise specified		MM	TERMINAL BLOCK
angles		X.±0.5	X.X±0.3	scale	title
X°±1'		X.XX±0.1			TERMINAL BLOCK SPRING CLAMP,45D WIRE INLET,3-LEVEL, INTERLACE TYPE
dr EVIN ZHONG 053014		enr EVIN ZHONG 053014		dwg no sheet 1 of 1 size	
chr HANKE FENG 053014		appd SHI JUN 053014		HRxx40x100J0G A4	
sheet index		revision sheet		type CUSTOMER Drawing	
1		A			