

High Frequency Ceramic Solutions

1GHz High Rejection Low Pass Filter (SMD), 75Ω. Recommended Application: STB P/N 1000LP41B1000

Detail Specification: 4/3/2014

Page 1 of 3

Not exactly what you are looking for and want to see our other diplexers? Go to: www.johansontechnology.com/diplexers

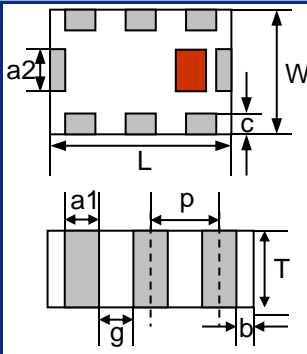
General Specifications			
Part Number	1000LP41B1000		
Frequency (MHz)	5 ~ 1002		
Impedance (Ohms)	75		
Insertion Loss (dB)	1.76 Typ 2.4max @ 25°C (2.6max. @ -40~85°C)		
Return Loss	9.0 dB min.		
Attenuation	37dB Typ @ 1125 (28dB min.) 35dB Typ @ 1126~1675 MHz (28 min.)		
Reel Quantity	2,000	Operating Temp.	-40 ~ +85°C
Recommended Storage Conditions	+5 ~ +35°C, Humidity: 45~75%RH	Storage Period*	18 Months max.
		Power Capacity	1W max.(CW)



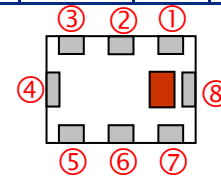
*18 months max in vacuum sealed bag, after bag opened, 1 week cumulative, Please keep unused parts in vacuum sealed bags at all times. For more info go to www.johansontechnology.com/silverleads.

P/N Suffix	Packing Style	Bulk	Suffix = S	eg. 1000LP41B1000S
		T & R	Suffix = E	eg. 1000LP41B1000E
Evaluation Board		1000LP41B1000-EB1SMA		

Mechanical Specifications		
	In	mm
L	0.126 ± 0.008	3.20 ± 0.20
W	0.098 ± 0.008	2.50 ± 0.20
T	0.059 ± 0.006	1.50 ± 0.15
a1	0.022 ± 0.006	0.55 ± 0.15
a2	0.028 ± 0.008	0.70 ± 0.20
b	0.039min	0.1min
c	0.012 ± 0.008	0.30 ± 0.20
g	0.018 ± 0.006	0.45 ± 0.15
p	0.039 ± 0.008	1.00 ± 0.20



Terminal Configuration			
No.	Function	No.	Function
1	GND	5	GND
2	GND	6	GND
3	GND	7	GND
4	In/Out	8	In/Out



Want the layout/gerfile file of this component? Send us a message at: www.johansontechnology.com/component/techquestion

Johanson Technology, Inc. reserves the right to make design changes without notice.
All sales are subject to Johanson Technology, Inc. terms and conditions.



www.johansontechnology.com

4001 Calle Tecate • Camarillo, CA 93012 • TEL 805.389.1166 FAX 805.389.1821

Ver. 1.0

2014 Johanson Technology, Inc. All Rights Reserved

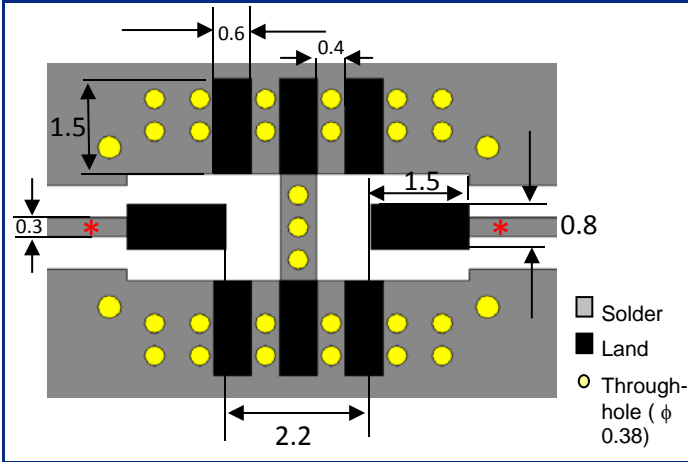
High Frequency Ceramic Solutions

1GHz High Rejection Low Pass Filter (SMD), 75Ω. Recommended Application: STB P/N 1000LP41B1000

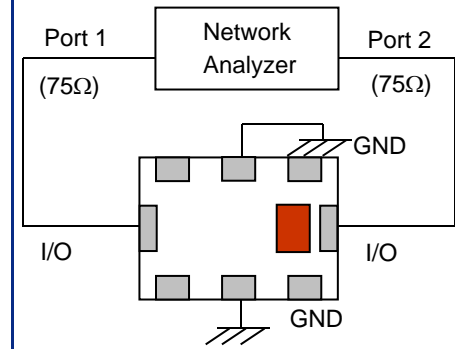
Detail Specification: 4/3/2014

Page 2 of 3

Mounting Considerations

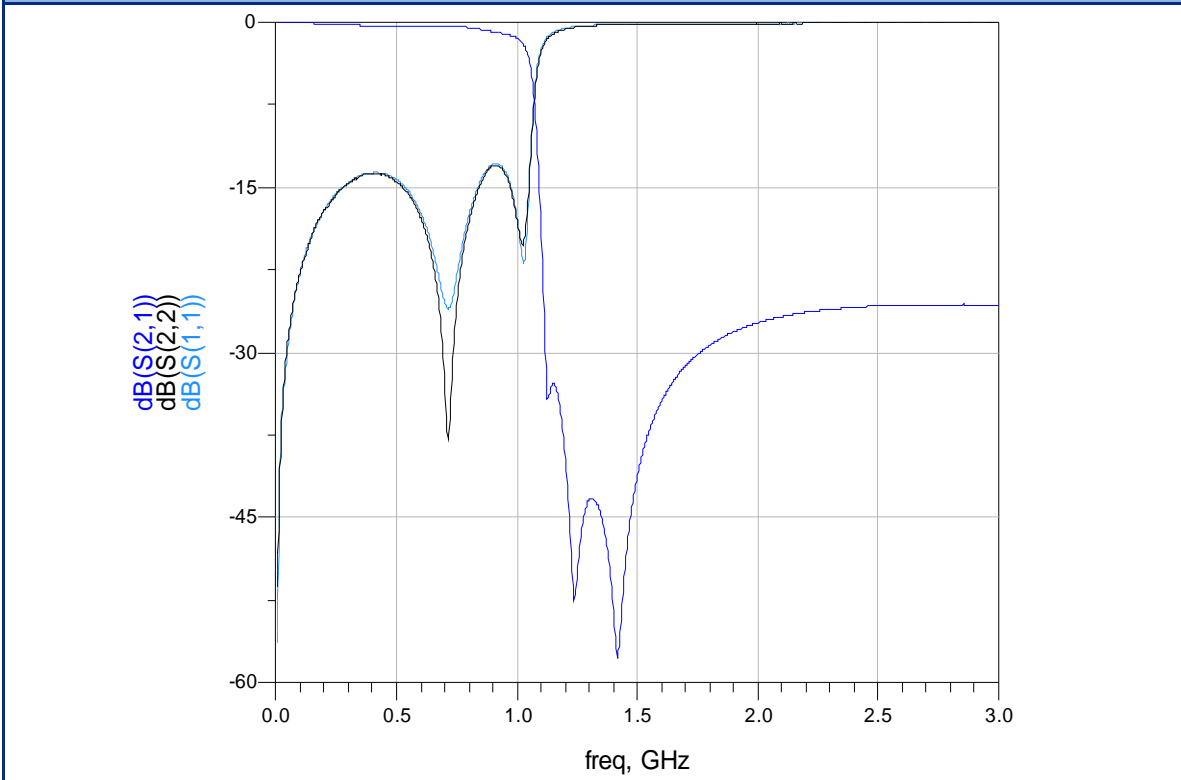


Measuring Diagram



Need the layout file of the above? Send us a message at: <http://www.johansontechnology.com/component/techquestion>

Electrical Characteristics (T=25°C)



Johanson Technology, Inc. reserves the right to make design changes without notice.
 All sales are subject to Johanson Technology, Inc. terms and conditions.



www.johansontechnology.com
 4001 Calle Tecate • Camarillo, CA 93012 • TEL 805.389.1166 FAX 805.389.1821
 Ver. 1.0 2014 Johanson Technology, Inc. All Rights Reserved

High Frequency Ceramic Solutions

1GHz High Rejection Low Pass Filter (SMD), 75Ω. Recommended Application: STB P/N 1000LP41B1000

Detail Specification: 4/3/2014

Page 3 of 3

RoHS Compliance

www.johansontechnology.com/technical-notes/rohs-compliance.html

Packaging information

www.johansontechnology.com/ipcpackaging.html

Soldering Information

www.johansontechnology.com/ipcsoldering-profile

Layout Files, s-parameters and any other technical questions

www.johansontechnology.com/component/techquestion/?Itemid=407

MSL Info

www.johansontechnology.com/technical-notes/msl-rating.html

Recommended Storage Condition and Max Shelf Life

www.johansontechnology.com/ipcstorage-shelflife

Antenna layout and tuning techniques

www.johansontechnology.com/tuning

Antenna layout review, tuning, and characterization services

www.johansontechnology.com/ipcantennaservices

Johanson Technology, Inc. reserves the right to make design changes without notice.

All sales are subject to Johanson Technology, Inc. terms and conditions.



www.johansontechnology.com

4001 Calle Tecate • Camarillo, CA 93012 • TEL 805.389.1166 FAX 805.389.1821

Ver. 1.0

2014 Johanson Technology, Inc. All Rights Reserved