

Appliance inlet for low voltage, Snap-in Mounting, Front Side, Solder or Quick-connect Terminal



70° C

**Description**

- Panel Mount:
- Snap-in version, Frontside
- 1 Function:
- Appliance Inlet, Pin temperature 70 °C, Protection class II, Solder or Quick-Connect

References

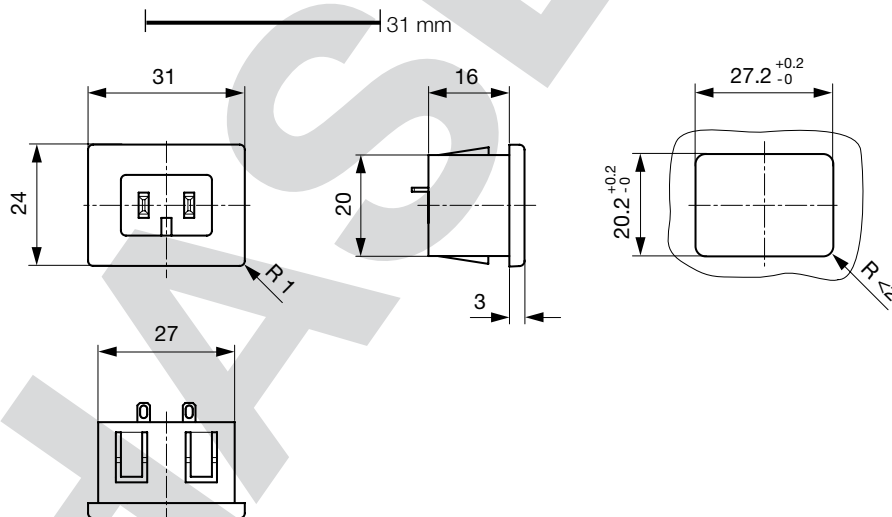
This type is Phase-out without alternate type
Last order date: 31.12.2012

Weblinks

[pdf-datasheet](#), [html-datasheet](#), [General Product Information](#), [Approvals](#), [RoHS](#), [CHINA-RoHS](#), [Mating Connectors](#), [e-Shop](#), [SCHURTER-Stock-Check](#), [Distributor-Stock-Check](#), [CAD-Drawings](#), [Accessories](#), [Detailed request for product](#)

Technical Data

Ratings IEC	7 A / 48VAC; 50Hz
Allowable Operation Temp.	-25 °C to 70 °C
Degree of Protection	from front side IP 20 acc. to IEC 60529
Protection Class	Suitable for appliances with protection class II acc. to IEC 61140
Panel Thickness s	Snap-in version from 1 mm to 1.5 mm
Material: Housing	PA6, black / grey / white, UL 94V-0

Dimensions

Length of the terminal please find at the order code configuration table
Dimension "X" please ref. to table order code

Config. Code




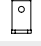

1201 - H - A B C 0 - D - E G F

The characters are placeholders for the correspondingly keys of selections from the key tables.

1201 - **H** - A B C 0 - D - E G F = Type

Type	Configuration key
protection class 1	X

1201 - H - **A** B C 0 - D - E G F = Terminals

Terminal L	Configuration key
short solder terminal (L = 4.8 mm) 	2
long solder terminal (L = 8.5 mm) 	3
Blade terminal (2.8 x 0.8 mm) 	7
Blade terminal (4.8 x 0.8 mm) 	8
Blade terminal (6.3 x 0.8 mm) 	9

1201 - H - A **B** C 0 - D - E G F = Terminals

Terminal N	Configuration key
short solder terminal (L = 4.8 mm)	2
long solder terminal (L = 8.5 mm)	3
Blade terminal (2.8 x 0.8 mm)	7
Blade terminal (4.8 x 0.8 mm)	8
Blade terminal (6.3 x 0.8 mm)	9

Symbols similar as in table A

1201 - H - A B **C** 0 - D - E G F = Terminals

Terminal Ground	Configuration key

Symbols similar as in table A

1201 - H - A B C 0 - **D** - E G F = Color

Color	Configuration key
Black	A
Grey	B
White	D

1201 - H - A B C 0 - D - **E** G F = Style

Style	Configuration key
snap-in (x=panel thickness)	4

1201 - H - A B C 0 - D - E **G** F = Dimension X

Dimension "X"	Configuration key
41	

The dimension "X" is displayed in (1/10 mm). This information is also valid for the order code

1201 - H - A B C 0 - D - E G **F** = Orientation of Terminals

Orientation of Terminals	Configuration key
horizontal	A
vertical	B
vertical right	C

Packaging unit 100 Pcs

Mating Outlets/Connectors

Category / Description



[Plug Overview complete](#)

Appliance Outlet, Cord Connector (Rewireable), Straight, for Low Voltage

1251

[Plug further types to 1201](#)