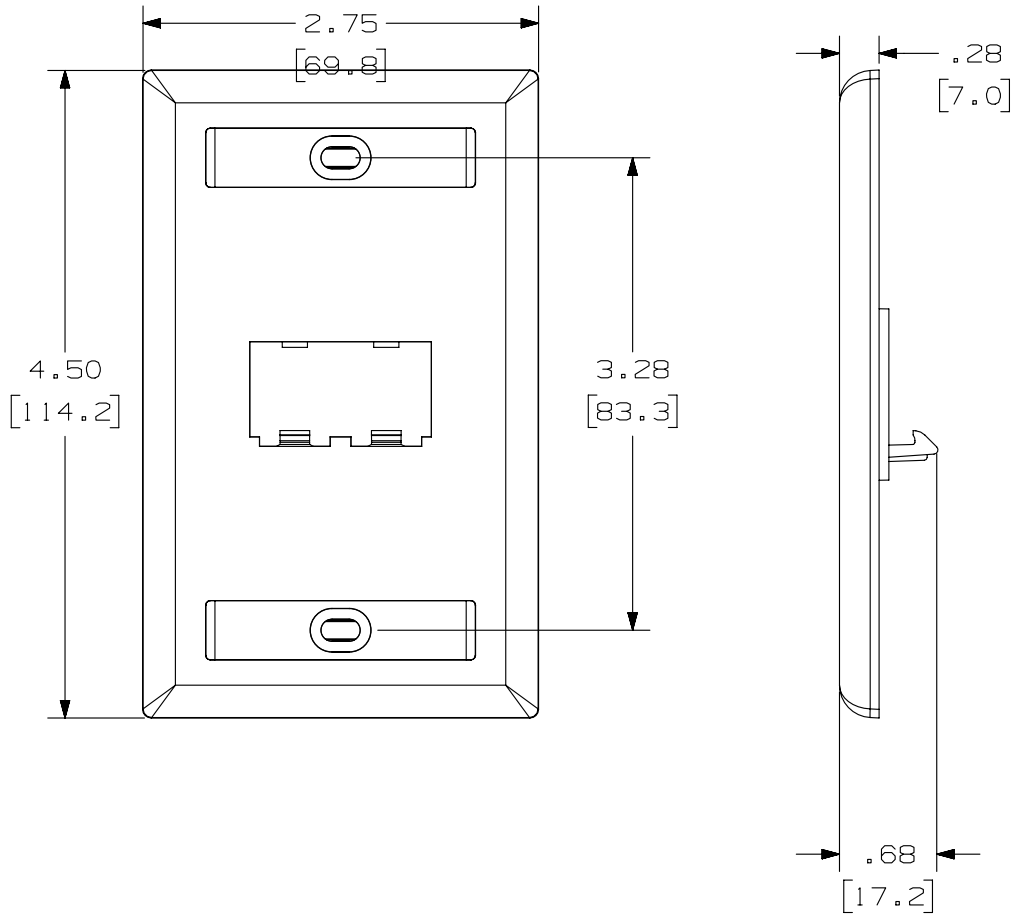


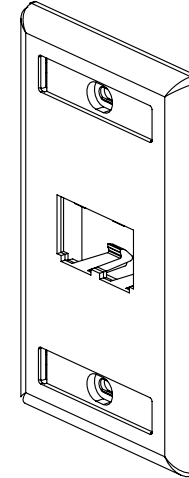
THIS COPY IS PROVIDED ON A RESTRICTED BASIS AND IS NOT TO BE USED IN ANY WAY DETRIMENTAL TO THE INTERESTS OF PANDUIT CORP.



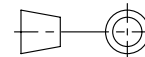
PANDUIT P/N	WEIGHT
CFPL2**Y	.60 LB/10 PCS. (273.9 G/10 PCS.)

NOTES:

- SEE CURRENT CATALOG FOR ADDITIONAL PART NUMBER SUFFIXES TO INDICATE COLOR AND OR PACKAGE QUANTITY.
- SEE CATALOG FOR COMPLETE LIST OF PARTS APPLICABLE FOR USE WITH THIS PART.
- PART INCLUDES:
 - 1- FACEPLATE
 - 2- MOUNTING SCREW
 - 2- LABEL
 - 2- LABEL COVER
- DIMENSIONS IN [] ARE IN METRIC.



PART NUMBER		CFPL2**Y	
TITLE			
MINI-COM 2 POSITION VERTICAL CLASSIC SERIES FACEPLATE WITH LABEL/COVER			
CUSTOMER DRAWING			
ITEM REVISION NAME		M02479EC/00	
DATASET FILE NAME		M02479EC_DC109/00B	
UNLESS OTHERWISE SPECIFIED, DIMENSIONAL TOLERANCES ARE: IN [mm]		MATERIAL:	
.x ± .xxx ± .010 [.3]		ABS	
.xx ± .03 [.8]		DRAWING NUMBER:	
ANGLES ±		02479-109	
THIRD ANGLE PROJECTION		SHT 1 OF 1	
DRAWN BY	DATE	CHK	SCALE
JSP	4-26-06	MJD	NONE
REV	DATE	BY	CHK
1	4/14/14	JSP	REFR
R	4-26-06	JSP	MJD
APR	DESCRIPTION		ECN
	A. REVISED DRAWING TITLE BLOCK.		02479-109
	RELEASED TO PRODUCTION		02479-109



D10100DA/14