

**BK PRECISION®**

**BK PRECISION®**

## **Instruction Manual**

---

B&K PRECISION CORPORATION  
22820 SAVI RANCH PARKWAY  
YORBA LINDA, CA. 92887-4604  
TELE: 714-921-9095  
FAX : 714-921-6422

PN: 480 - 816 - 9 - 001

Printed in China

©1998 B&K Precision Corp.

[www.bkprecision.com](http://www.bkprecision.com)

**Model 1275 Computer Monitor Generator**



## SAFETY GUIDELINES

### WARNING

An electrical current of over 10 milliamps passing through the heart will stop most human hearts. Voltage of as low as 35Volts dc or ac rms should be considered hazardous since it can produce lethal current under certain conditions. Be sure to observe the following safety precautions:

1. There are no high voltages in the color pattern generator, but the equipment under test usually contains hazardous high voltage. Always follow the safety recommendations of the manufacturer of your equipment.
2. Some equipment may be wired as a "hot chassis" type; equipment using two-wire power plugs are always suspect and it may even include those with polarized plugs. Never touch chassis of "hot chassis" type equipment to avoid the possibility of a serious, possibly fatal electrical shock.
3. Don't expose yourself needlessly to high voltage; only remove housings and covers when necessary.
4. Familiarize yourself with the equipment being tested and the location of its high voltage points. However be aware that high voltage may appear at unexpected points in defective equipment.
5. Never work alone. Someone should be nearby to render aid if needed. Training in CPR(Cardio-pulmonary resuscitation) is highly recommended.

## Service Information

**Contact B&K Precision to receive a repair Return Authorization tracking number.** This number must be clearly written on the exterior of the shipping carton and will assist us with the processing of your return. Return all merchandise to B&K Precision Corp. with pre-paid shipping. The flat-rate repair charge includes return shipping to locations in North America. For overnight shipments and non-North America shipping fees contact B&K Precision Corp.

**Warranty Service:** Please return the product in the original packaging with proof of purchase to the below address. Clearly state in writing the performance problem and return any leads, connectors and accessories that you are using with the device.

**Non-Warranty Service:** Return the product in the original packaging to the below address. Clearly state in writing the performance problem and return any leads, connectors and accessories that you are using with the device. Customers not on open account must include payment in the form of a money order or credit card. For the most current repair charges contact the factory before shipping the product.

B&K Precision Corp.  
1031 Segovia Circle  
Placentia, CA 92870  
Phone: 714- 237-9220  
Facsimile: 714-237-9214

**Include with the instrument your complete return shipping address, contact name, phone number and description of problem.**

# Computer Monitor Tester Model 1275

# APPLICATIONS

## FEATURES:

- ◆ Tests CGA, EGA, VGA, SVGA, & MAC Monitors
- ◆ Resolution 640X480, 800X600, 1064X768, & 1280X1024
- ◆ Interlaced & Progressive
- ◆ Provides Color bars, Cross-hatch, Dots, Color Raster.
- ◆ Connectors are 9pin D(CGA&EGA), 15pin D(MAC), 15minipin D (VGA, SVGA, and 8514A)
- ◆ Single push button selectable patterns
- ◆ Battery or adapter power source

## OPERATION:

1. Place the monitor type switches to the proper position for the type of monitor to be tested.
  2. Connect the monitor to the proper video output connector.
  3. Turn on the power to both the monitor and the test unit.
  4. Press the video pattern push-button to step to the desired pattern.
- By holding the video pattern switch, the output will scroll back to the previously displayed patterns.

## USE of PATTERNS

The primary use of this pattern generator is to provide a quick check of the operating condition of a monitor and to allow for the adjustment of the external controls for the best performance.

**CROSSHATCH or DOT** ---- These patterns are used to check static and dynamic convergence, linearity and pin cushion settings.

**COLOR BARS** ---- The color bars are used to test the monitors ability to produce proper colors.

**RASTER** ---- Typically used to check the purity of the primary colors. When these are properly adjusted the white raster should appear pure white.

## SPECIFICATIONS

### OPERATING CHARACTERISTICS

	CGA	EGA	MACII	VGA 3	SVGA	8514/A	SVGA	SVGA
<b>HORIZONTAL</b>								
Frequency (KHZ)	15.7	21.8	35	31.5	35.2	35.5	48.5	64
Polarity	+	+	-	-	+	+	+	+
<b>VERTICAL</b>								
Frequency(HZ)	60	60	66.7	60	56	87	60	60
Polarity	+	-	-	-	+	+	+	+
Vertical Line	200	350	480	480	600	384	768	1024
<b>Video</b>	TTL	TTL	Analog	Analog	Analog	Analog	Analog	Analog

### CONNECTOR PIN ASSIGNMENTS

Pin NO.	1	2	3	4	5	6	7	8	9	10	11	12	13	14	15
EGA	Gnd	Int	Red	Grn	Blu	Int	Int	Hor	Ver						
CGA	Gnd	NC	Red	Grn	Blu	Int	NC	Hor	Ver						
VGA	Red	Grn	Blu	NC	Gnd	Gnd	Gnd	Gnd	NC	Gnd	NC	NC	Hor	Ver	NC
MAC	Gnd	Red	Hor	NC	Grn	Gnd	NC	NC	Blu	NC	Gnd	Ver	Gnd	Gnd	Hor

W/Sync

\*MAC: Composite Sync on Green

### MISCELLANEOUS:

Power: One 9V Battery or an external AC Adapter (**NOT SUPPLIED**)

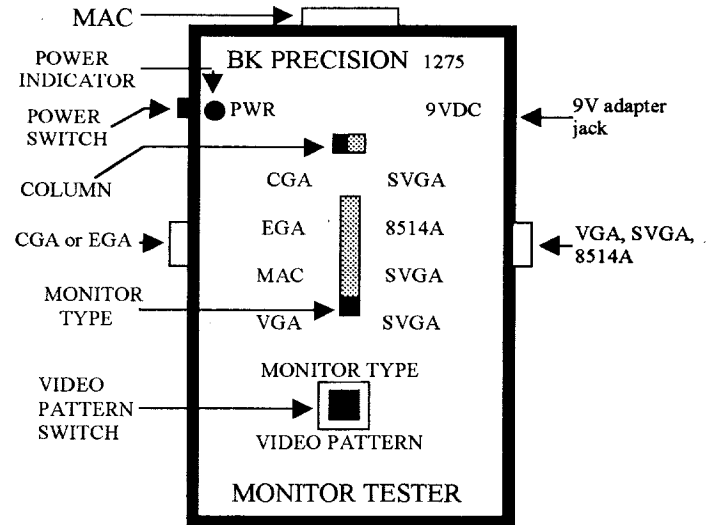
( 9V DC 100MA 5.5mm x2.1mm)

Dimensions: 1.5" x 3.8" x 5.7"

## Controls and Indicators

1. Power – Slide switch for power on or off.
2. Power Indicator – LED to show when power is on.
3. Column – Left or right column function select slide switch.
4. Monitor Type – Column 1  
 CGA – Color Graphics Adapter  
 EGA – Enhanced Graphics Adapter  
 MAC – 640 x 480  
 VGA – Video Graphics Adapter  
 640 x 480  
 Column 2  
 SVGA – Super Video Graphics Adapter  
 800 x 600  
 8514A – Interlaced  
 SVGA – Super Video Graphics Adapter  
 1280 x 1024
5. Video Pattern – Step through Color bar, Crosshatch, Dot, and Raster Push button.
6. CGA or EGA Connector  
 9 Pin Female, D type
7. MAC Connector  
 15 pin Female, D type
8. VGA, SVGA, & 8514A Connector  
 15 mini-pin Female, D type
9. 9 Volt Adapter Jack  
 Power jack for 9v dc 100mA center pin positive Adapter.

## COMPUTER MONITOR PATTERN GENERATOR MODEL 1275



# **BK PRECISION**

## **Limited One-Year Warranty**

B&K Precision Corp. warrants to the original purchaser that its product and the component parts thereof, will be free from defects in workmanship and materials for a period of one year from the date of purchase.

B&K Precision Corp. will, without charge, repair or replace, at its' option, defective product or component parts. Returned product must be accompanied by proof of the purchase date in the form a sales receipt.

To obtain warranty coverage in the U.S.A., this product must be registered by completing and mailing the enclosed warranty card to B&K Precision Corp., 1031 Segovia Circle, Placentia, CA 92870 within fifteen (15) days from proof of purchase.

**Exclusions: This warranty does not apply in the event Of misuse or abuse of the product or as a result of unauthorized alternations or repairs. It is void if the serial number is alternated, defaced or removed.**

B&K Precision Corp. shall not be liable for any consequential damages, including without limitation damages resulting from loss of use. Some states do not allow limitation of incidental or consequential damages, so the above limitation or exclusion may not apply to you. This warranty gives you specific rights and you may have other rights, which vary from state-to-state.

Model Number: \_\_\_\_\_ Date Purchased: \_\_\_\_\_

1031 Segovia Circle  
Placentia, CA 92870

714.237.9220 VOICE  
714.237.9214 FAX

## **OTHER TEST & MEASUREMENT PRODUCTS** **AVAILABLE FROM B&K PRECISION**

B & K Precision offer many different types of electronic test equipment to suit your needs. Below is a list of the different product categories of test equipment we offer.

High-Performance Oscilloscopes  
Oscilloscope Accessories  
High Performance Multimeters  
Handheld Digital Multimeters  
Bench Top Digital Multimeter  
Digital Multimeter Accessories  
Power Supplies  
Function Generators  
Frequency Counters  
Spectrum Analyzers

SIMM Model Tester  
Universal Device Programmers  
Insulation Testers  
Digital Thermometers  
Capacitance & Semiconductor tester  
Component Testers  
LCR Meters  
Telephone Product Testers  
Video Testers  
CRT Tester/Restorer & analyzers

For more information on these products please contact B&K Precision for your local distributor or to request literature. You can contact us at:

**B&K Precision Corp. 1031 Segovia Circle • Placentia CA,  
92870-7137**

**PHONE (714)-237-9220 • FAX (714)-237-9214  
(800)-462-9832**

[www.bkprecision.com](http://www.bkprecision.com)