

4

3

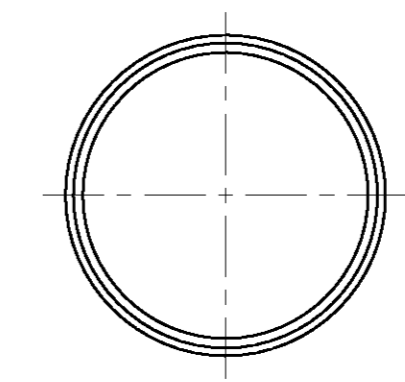
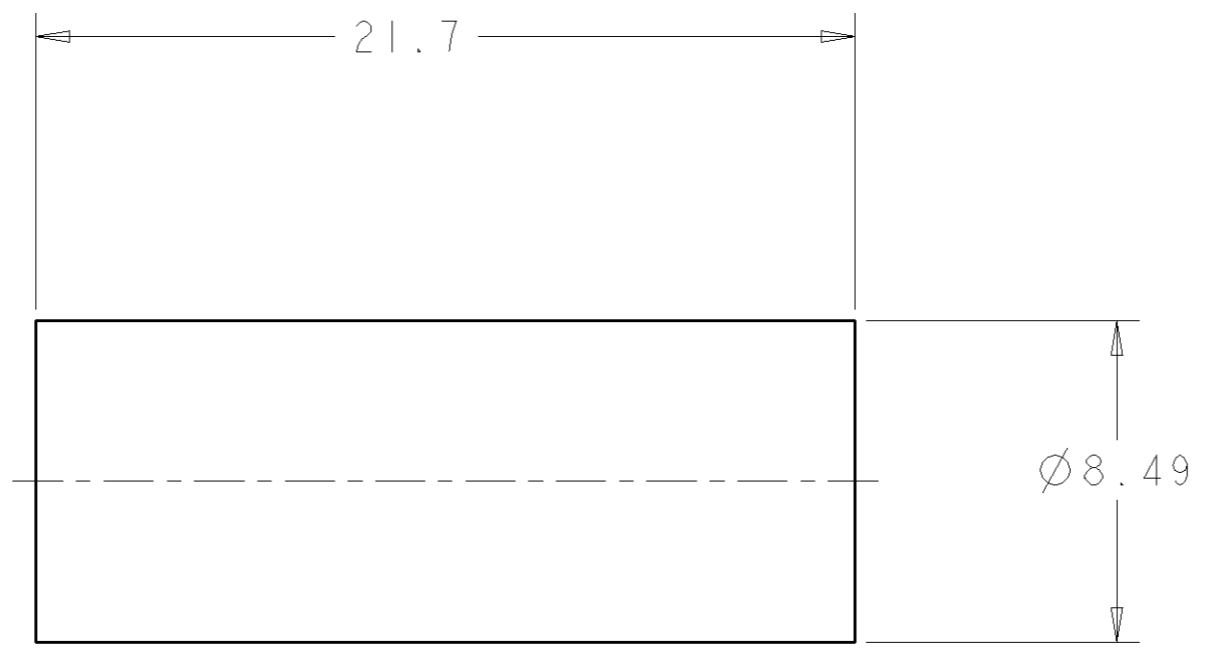
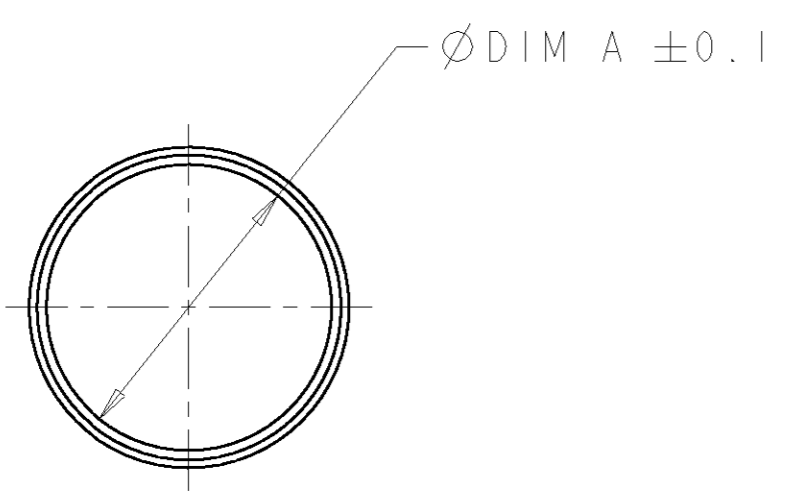
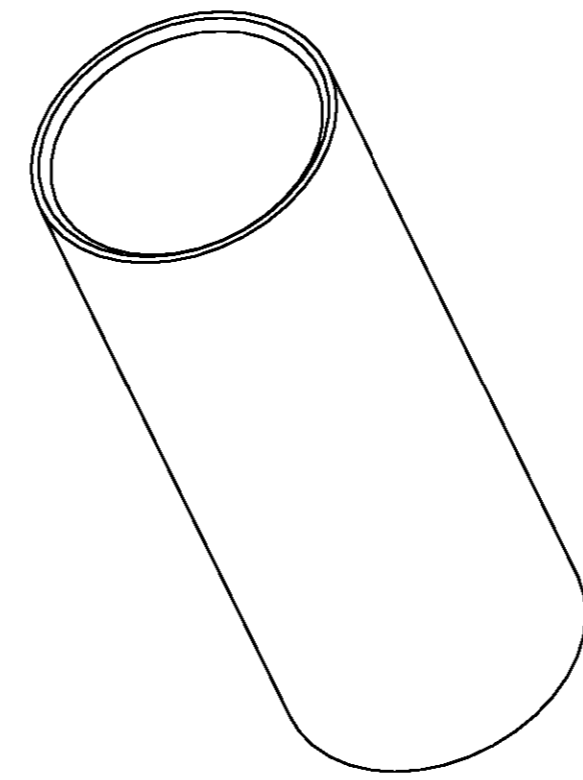
2

1

THIS DRAWING IS UNPUBLISHED.      RELEASED FOR PUBLICATION      20

© COPYRIGHT 20      BY TYCO ELECTRONICS CORPORATION. ALL RIGHTS RESERVED.

LOC	DIST	REVISIONS			
P	LTR	DESCRIPTION	DATE	DWN	APVD
	0	RELEASED PER 063B-0061-03	13-MAY-03	KW	JE



- 1. MATERIAL: COPPER
- 2. PLATING: SILVER

#4	7.57	1604072-3
#6	5.72	1604072-2
#8	4.75	1604072-1
WIRE RANGE	DIM A	PART NUMBER

METRIC

THIS DRAWING IS A CONTROLLED DOCUMENT FOR TYCO ELECTRONICS CORPORATION. IT IS SUBJECT TO CHANGE AND THE CONTROLLING ENGINEERING ORGANIZATION SHOULD BE CONTACTED FOR THE LATEST REVISION.		DWN <b>B. HAYMAKER</b> 03 JAN 2002	<b>tyco</b> Electronics Tyco Electronics Harrisburg, PA 17105-3608	
DIMENSIONS: mm		CHK <b>K. KETELSIEGER</b> 03 JAN 2002		
TOLERANCES UNLESS OTHERWISE SPECIFIED: 0 PLC ±0.13 1 PLC ±0.13 2 PLC ±0.13 3 PLC ±0.13 4 PLC ± ANGLES ±		APVD <b>K. KETELSIEGER</b> 03 JAN 2002	NAME <b>REDUCING BUSHING, 120 AMP POWER PRODUCT</b>	
MATERIAL -		PRODUCT SPEC -	APPLICATION SPEC -	RESTRICTED TO -
FINISH -		WEIGHT -	SCALE 5:1	SHEET OF 1 REV 0
CUSTOMER DRAWING		SIZE A2	CAGE CODE 00779	DRAWING NO 1604072