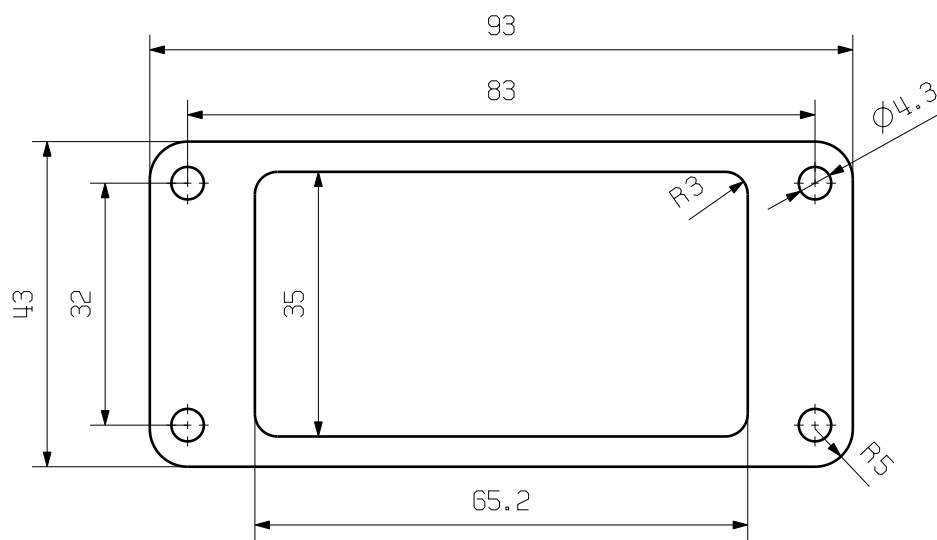
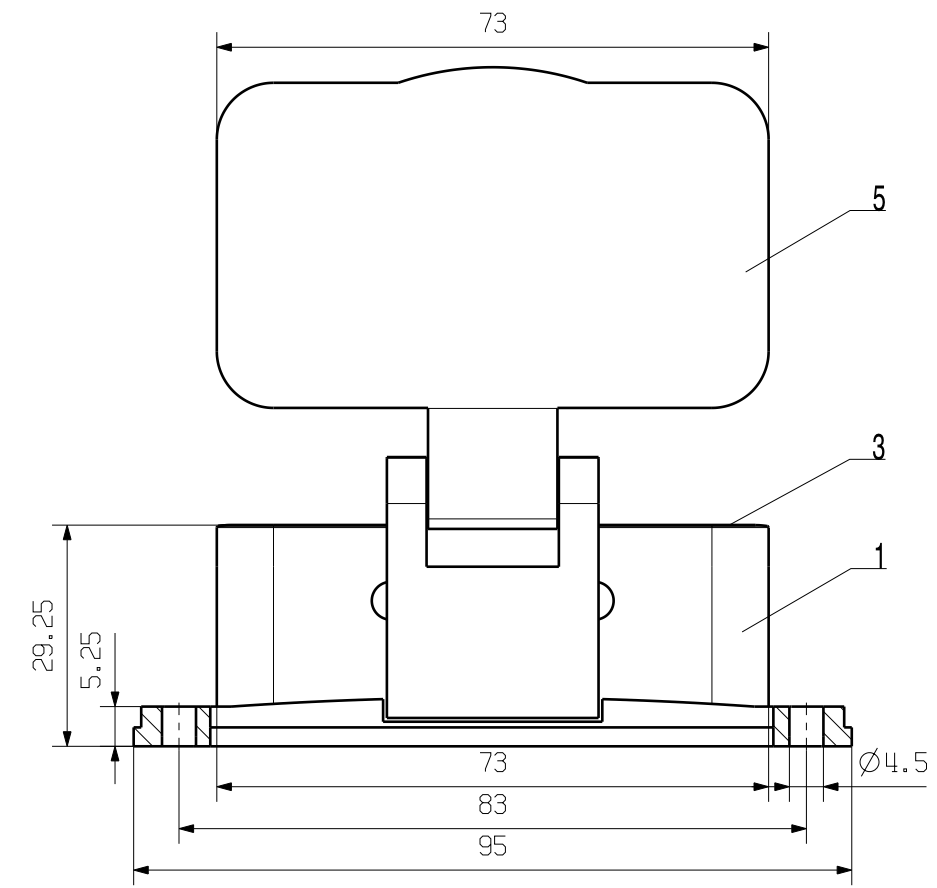
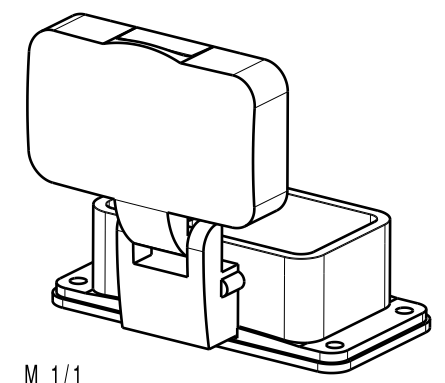
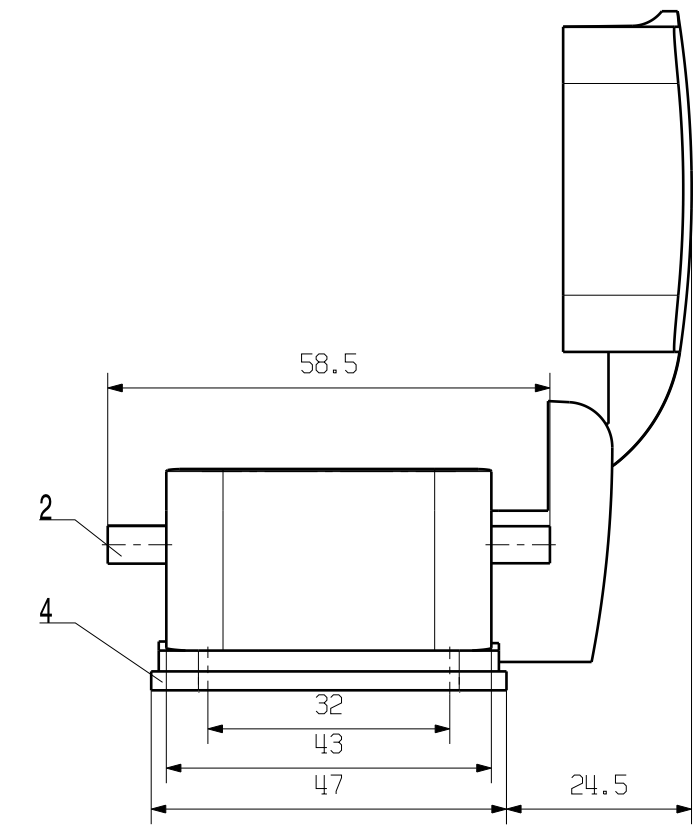


MASSE OHNE TOLERANZ SIND KEINE PRUEFMASSE  
 DIMS. WITHOUT TOLERANCE ARE NOT CONTROL DIMS.



MOUNTAGEAUSSCHNITT  
 MOUNTING CUT-OUT



5	COVER	ALUMINIUM WITH POWDER COATING
4	FLAT SEALING	NBR
3	SEALING	NBR
2	LOCKING BOLTS	STAINLESS STEEL
1	BULKHEAD HOUSING	ALUMINIUM WITH POWDER COATING
ROHSTOFF-NR. R.PART NO.	TYP PART NAME	WERKSTOFF MATERIAL

MAX. NRN./NOS. ?		CAT.NO.: 120560000	
Weidmüller		DRAWING NO.	ISSUE NO.
MODIFICATION		HDC 10B ADBO	
SCALE: 1/1	DRAWN	DATE	NAME
SUPERSEDES:	RESPONSIBLE	02.11.2005	LIU_F
SUPERSEDED BY:	CHECKED	30.11.2005	ZHANG_T
	APPROVED		
PRODUCT FILE:		ANBAUGEAUESE BULKHEAD HOUSING	

WEITERGABE SOWIE VERVIELFÄLTIGUNG DIESES DOKUMENTS, VERWERTUNG UND MITTEILUNG SEINES INHALTS SIND VERBOTEN, SOWEIT NICHT AUSDRUECKLICH GESTATET.  
 ZUWIDERHANDLUNGEN VERPFLICHTEN ZU SCHADENERSATZ. ALLE RECHTE FUER DEN FALL DER PATENT-, GEBRAUCHSMUSTER- ODER GESCHMACKSMUSTEREINTRAGUNG VORBEHALTEN.  
 THE REPRODUCTION, DISTRIBUTION AND UTILIZATION OF THIS DOCUMENT AS WELL AS THE COMMUNICATION OF ITS CONTENTS TO OTHERS WITHOUT EXPLICIT AUTHORIZATION IS PROHIBITED.  
 OFFENDERS WILL BE HELD LIABLE FOR THE PAYMENT OF DAMAGES. ALL RIGHTS RESERVED IN THE EVENT OF THE GRANT OF A PATENT, UTILITY MODEL OR DESIGN.