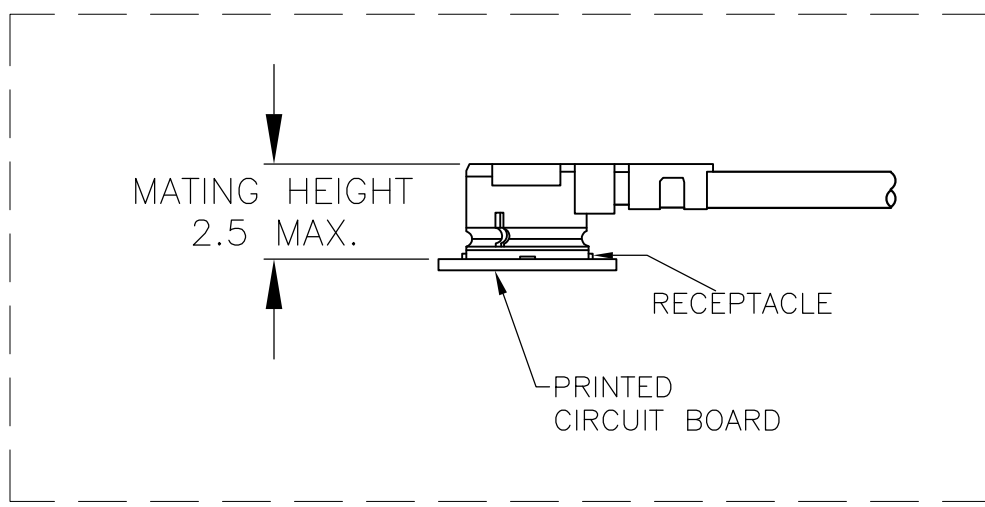
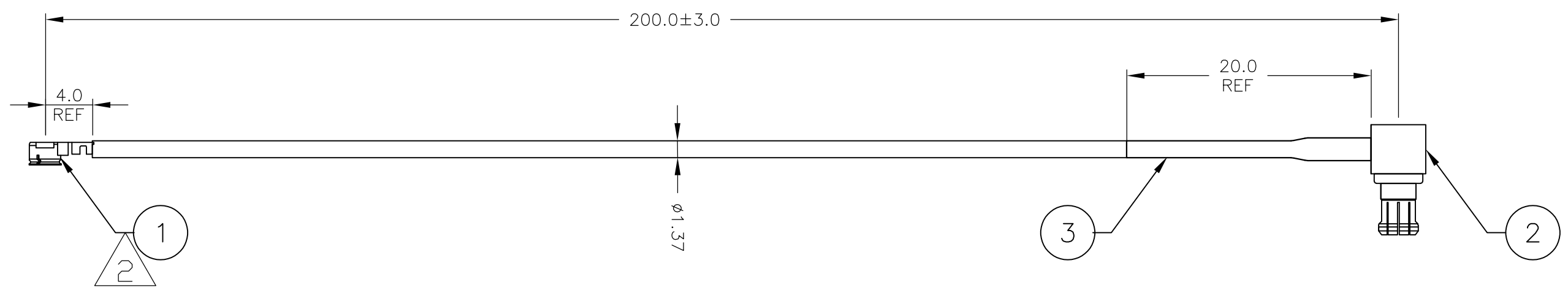


THIS DRAWING IS UNPUBLISHED. RELEASED FOR PUBLICATION
 © COPYRIGHT BY TYCO ELECTRONICS CORPORATION. ALL RIGHTS RESERVED.

LOC	DIST	REVISIONS					
GP	00	P	LTR	DESCRIPTION	DATE	DWN	APVD
			A	RELEASE PER RTS 90046	04/DEC/07	ECC	JO



1. PRODUCT AND PROCESSING MUST MEET REQUIREMENTS OF TYCO ELECTRONICS STANDARD 230-702.
2. HIROSE COMPATIBLE, 2.5 mm MATING HEIGHT. UMCC CONNECTOR, TYPE III
3. CABLE ASSEMBLY TO BE 100% ELECTRICALLY TESTED FOR OPENS, SHORTS AND CONTINUITY. HI-POT AT 150 VDC FOR 100ms VSWR: 1.5:1 MAX.



2032442-1
 TYCO ELECTRONICS P/N

A/R	MR	TUBING, HEAT SHRINK	3
1	PC	MCX, R/A, PLUG	2
1	PC	UMCC, PLUG [1.37mm CABLE]	1
-1	U/M	DESCRIPTION	ITEM

THIS DRAWING IS A CONTROLLED DOCUMENT.		DWN	28/NOV/07	Tyco Electronics Corporation	
		CHK	04/DEC/07	Harrisburg, PA 17105-3608	
		APVD	04/DEC/07	NAME	
		PRODUCT SPEC		CABLE ASSY, RF, UMCC PLUG TO MCX R/A PLUG [1.37mm CABLE]	
		APPLICATION SPEC		SIZE	CAGE CODE
		WEIGHT		A3	00779
		CUSTOMER DRAWING		DRAWING NO	G-2032442
		SCALE	N.T.S.	SHEET	1 OF 1
		RESTRICTED TO		REV	A

DIMENSIONS:	TOLERANCES UNLESS OTHERWISE SPECIFIED:
mm [INCHES]	
	0 PLC ± -
	1 PLC ± -
	2 PLC ± -
	3 PLC ± -
	4 PLC ± -
	ANGLES ± -
MATERIAL	FINISH
-	-