

MODELS:

SR42UBMD / SR42UBMDEXP

SmartRack™ Mid-Depth Rack Enclosures



42 Rack Units



3000 lb
Stationary
Load Capacity



2250 lb
Rolling
Load Capacity



Rolling
Casters



Locking Doors &
Side Panels



Standard
19-inch
Rack Width



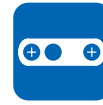
Toolless
Mounting Slots



Adjustable
Rails with
Easy-View
Depth Index



Airflow
Exceeds
Server OEM
Requirements



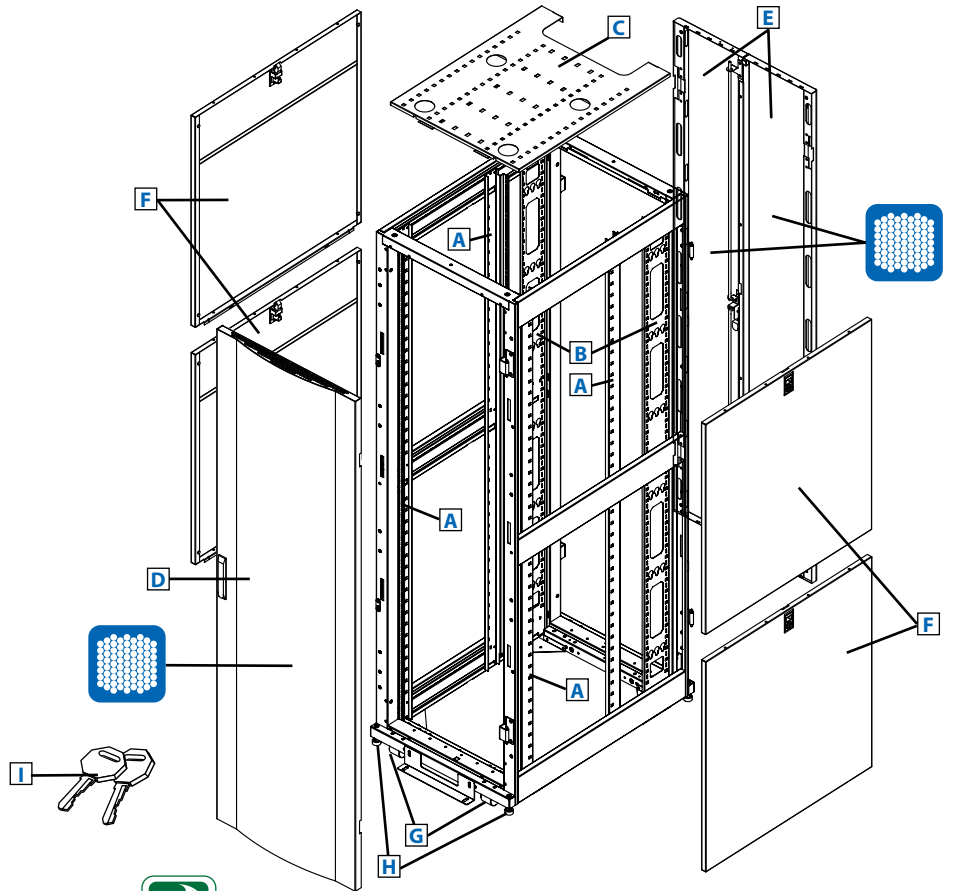
Integrated
Baying Tabs



Square Hole
Mounting

- A** Adjustable Mounting Rails (4)
- B** Adjustable PDU Mounting Rails with Toolless Mounting Slots (2) (Hold up to 4 vertical PDUs.)
- C** Roof Panel (Removable)
- D** Front Door (Lockable/Removable/Reversible)
- E** Split Rear Doors (2) (Lockable/Removable)
- F** Side Panels (4) (Lockable/Removable; not included with SR42UBMDEXP.)
- G** Rolling Casters (4)
- H** Levelers (4)
- I** Keys (For doors and side panels.)

Also Includes: Owner's manual, 2 shipping/stabilizing brackets and rackmount equipment mounting hardware (50 cage nuts, 50 mounting screws, 50 nylon cup washers).



Specifications

Model	SR42UBMD
Rack Spaces	42U
Stationary Load Capacity	3000 lb (1361 kg)
Rolling Load Capacity	2250 lb (1021 kg)
Unit Dimensions (H x W x D)	78.5 x 23.63 x 36 in (1994 x 600 x 914 mm)
Shipping Dimensions (H x W x D)	85 x 26 x 37.8 in (2159 x 660 x 960 mm)
Unit Weight	250 lb (113.4 kg)
Shipping Weight	300 lb (136.1 kg)
Certifications	EIA-310-E, IEC 60297-3-100, DIN 41494, UL 60950, RoHS, NOM, IP20, PCI-DSS
Model	SR42UBMDEXP (Without side panels.)
Unit Weight	186 lb (84.4 kg)
Shipping Weight	236 lb (107 kg)

Tripp Lite has a policy of continuous improvement. Specifications are subject to change without notice.



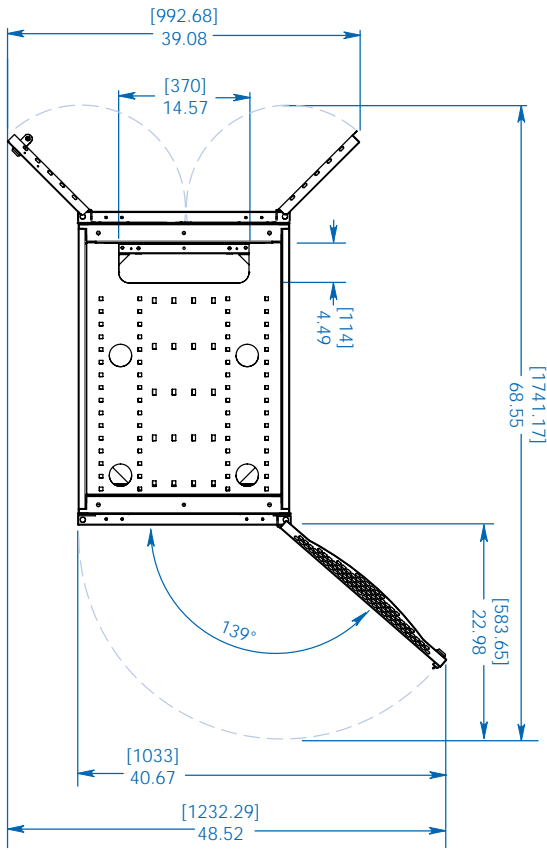
- Enclosures ship fully assembled for rapid deployment, but can be knocked down for easy reassembly in confined spaces
- Modular design optimized for quick configuration and reconfiguration
- Ideal for rackmount server, network and telecom applications

SEE NEXT PAGE FOR DETAILED UNIT MEASUREMENTS

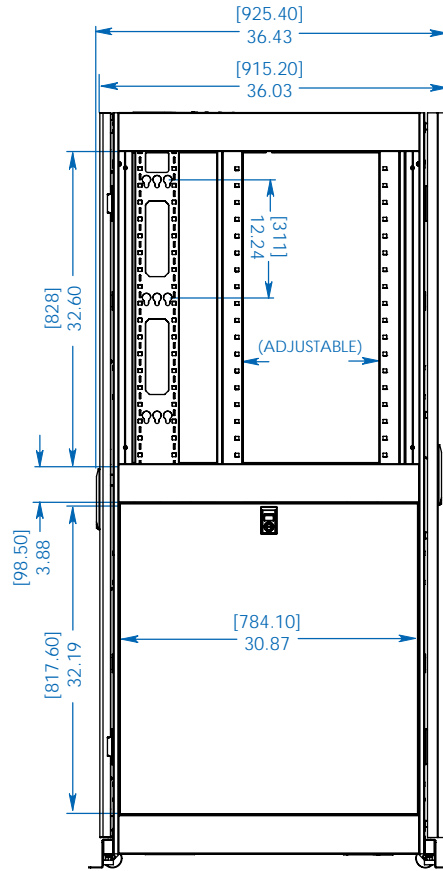


1111 W. 35th Street
Chicago, IL 60609 USA
773.869.1234
www.tripplite.com

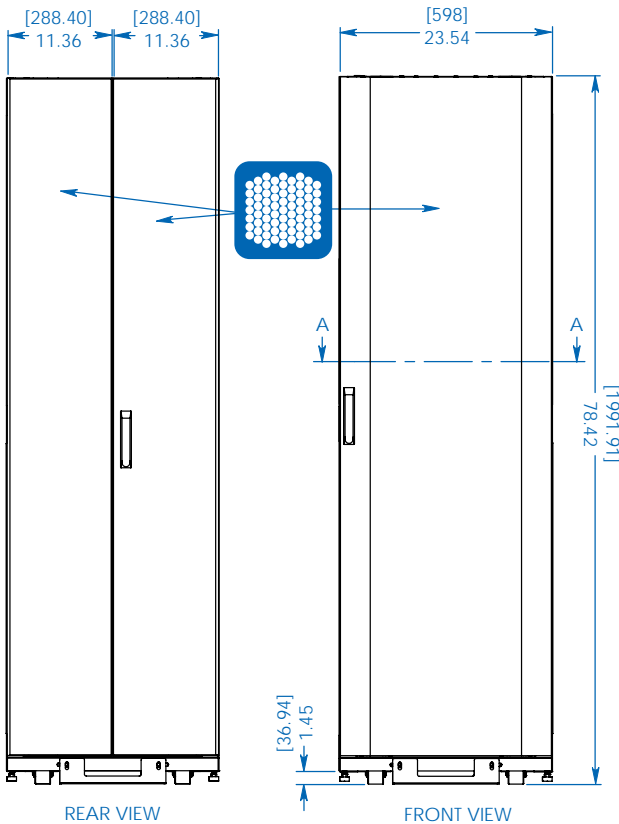
Also Available: Shock pallet models with special packaging to facilitate equipment pre-installation and reshipment to final site. Heavy-duty shock pallet holds up to 1250 lb (567 kg), including the weight of the enclosure and pre-installed equipment. Add "SP1" to model numbers above to order shock pallet models.



TOP VIEW

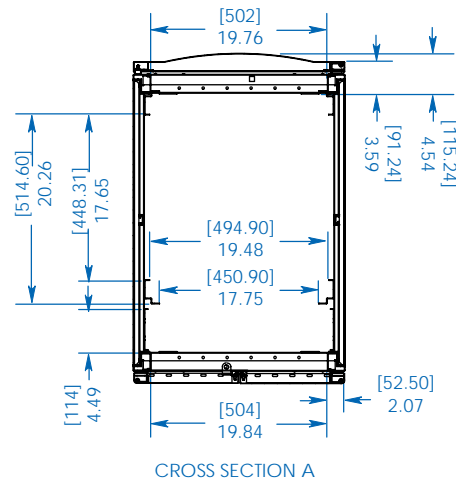


SIDE VIEW



REAR VIEW

FRONT VIEW

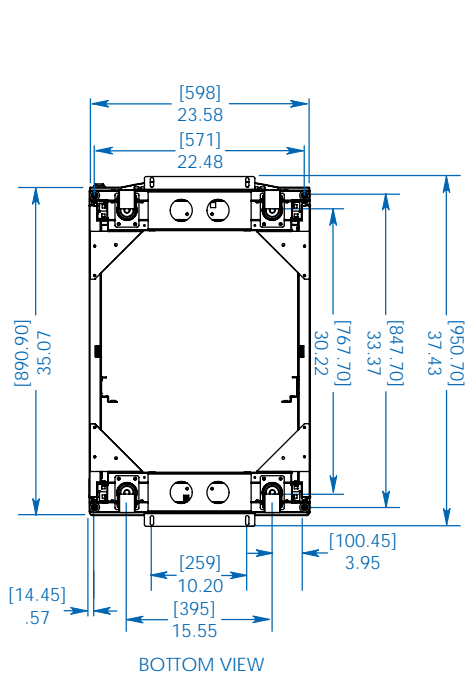


CROSS SECTION A

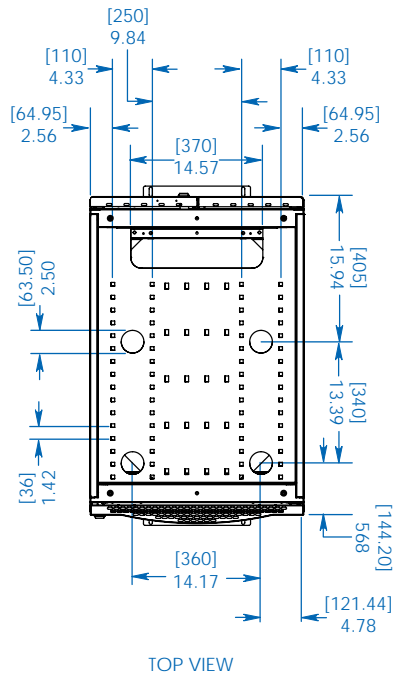
Dimensions: [mm] INCHES

Tripp Lite has a policy of continuous improvement. Specifications are subject to change without notice.

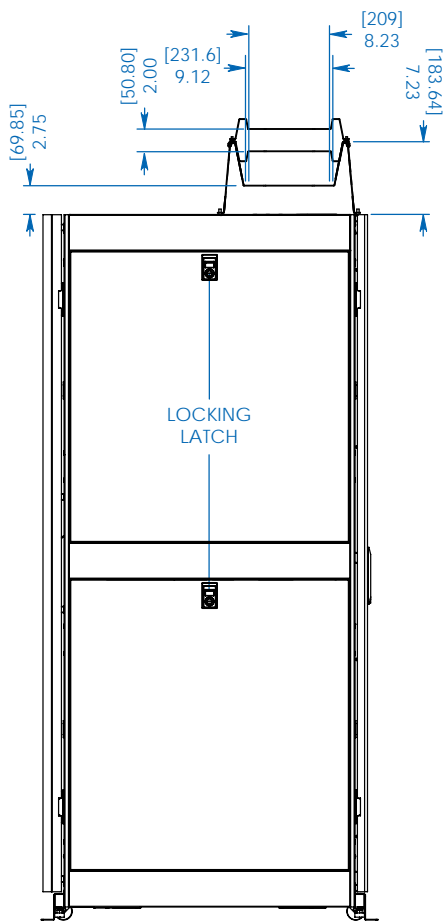
MODELS:
SR42UBMD
SR42UBMDEXP
TRIPP-LITE



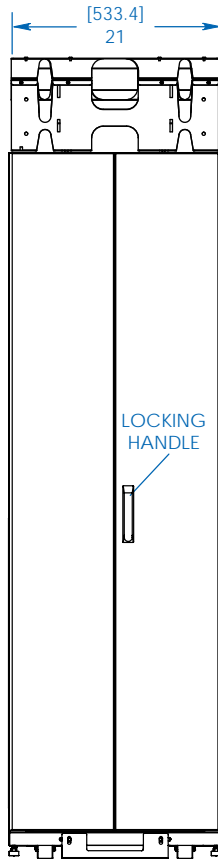
BOTTOM VIEW



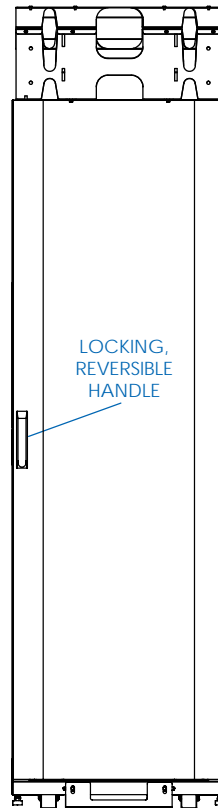
TOP VIEW



SIDE VIEW



REAR VIEW



FRONT VIEW

OPTIONAL SRCABLETRAY AND SRCABLETRAYEXP CABLE MANAGEMENT ACCESSORIES SHOWN (MOUNTING POSITION ADJUSTS TO ACCOMMODATE A WIDE RANGE OF APPLICATIONS)

MODELS:
SR42UBMD
SR42UBMDEXP



1111 W. 35th Street
 Chicago, IL 60609 USA
 773.869.1234
 www.tripplite.com

Dimensions: [mm] INCHES

Tripp Lite has a policy of continuous improvement. Specifications are subject to change without notice.