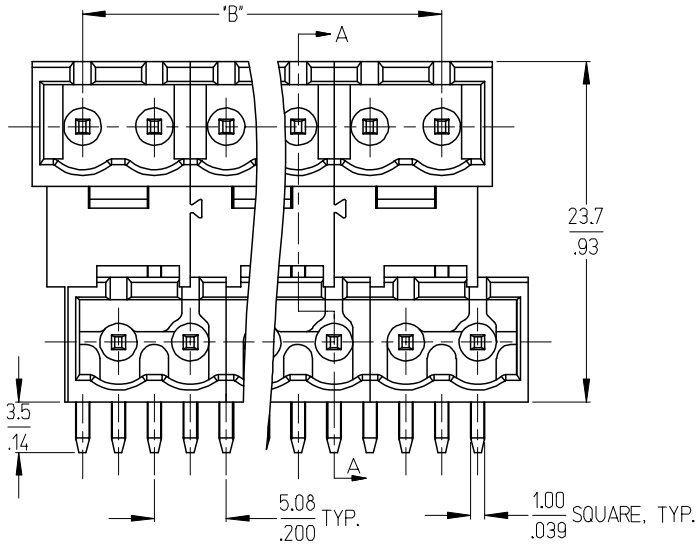
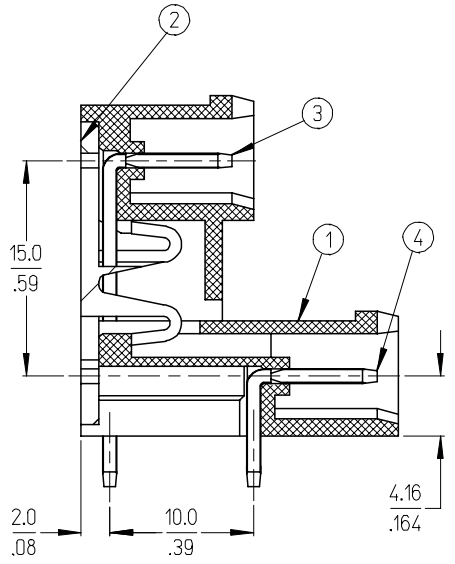


SPECIFICATIONS:

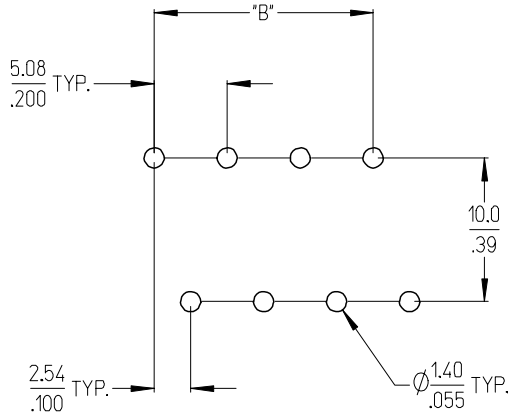
1. MATERIAL:
 - (1) BODY: PA66 (UL 94V-0).
 - (2) COVER: PBT (UL 94V-0).
 - (3) LONG TERMINAL: BRASS.
 - (4) SHORT TERMINAL: BRASS.
2. ELECTRICAL RATING: 300V, 15A.
3. DIELECTRIC WITHSTAND: AC 2500V FOR 1 MINUTE.
4. BREAKDOWN VOLTAGE: 4000V.
5. INSULATION RESISTANCE: DC 1000V, 1000 MEGOHMS.
6. OPERATING TEMPERATURE: -40°C TO +105°C.
7. NUMBER OF CIRCUIT POSITIONS AVAILABLE= 4 THROUGH 48, EVEN NUMBERED CIRCUIT SIZES ONLY.
8. ALL COMPONENTS ARE ROHS COMPLIANT.



SECTION A-A

INITIAL RELEASE EC NO: ETC2007-0020 DRWN: C.YORK 2006/07/25 CHKD: J.PAWLICKI 2006/07/25 APPR: J.PAWLICKI 2006/07/26	QUALITY SYMBOLS ▽=0 ▽=0	GENERAL TOLERANCES (UNLESS SPECIFIED)		DIMENSION STYLE	SCALE	DESIGN UNITS	THIRD ANGLE PROJECTION	
				MM/IN	3:1	INCH		
				MM				
				INCH				
		4 PLACES	± ---	± ---	DRAWN BY	DATE	TITLE	
		3 PLACES	± ---	± .005	C. YORK	2006/07/24	5.08MM, EURO DUAL HEADER HORIZONTAL, CLOSED END, STACKABLE	
		2 PLACES	± 0.13	± .01	CHECKED BY	DATE		
		1 PLACE	± 0.3	± ---	J. PAWLICKI	2006/07/24		
		ANGULAR ± 2 °		APPROVED BY	DATE	MOLEX MOLEX INCORPORATED		
		DRAFT WHERE APPLICABLE MUST REMAIN WITHIN DIMENSIONS		MATERIAL NO.	DOCUMENT NO.	SHEET NO.		
				SEE SHEET 2	SD-39538-002	1 OF 2		
				SIZE B	THIS DRAWING CONTAINS INFORMATION THAT IS PROPRIETARY TO MOLEX INCORPORATED AND SHOULD NOT BE USED WITHOUT WRITTEN PERMISSION			

Circuit size	Material Numbers				Dimensional Information			
	Black		Green		Dim. A		Dim B	
	100% Tin	30 u" Gold	100% Tin	30 u" Gold	mm	inch	mm	inch
4	395381004	395381504	395386004	395386504	12.16	0.479	5.08	0.200
6	395381006	395381506	395386006	395386506	17.24	0.679	10.16	0.400
8	395381008	395381508	395386008	395386508	22.32	0.879	15.24	0.600
10	395381010	395381510	395386010	395386510	27.40	1.079	20.32	0.800
12	395381012	395381512	395386012	395386512	32.48	1.279	25.40	1.000
14	395381014	395381514	395386014	395386514	37.56	1.479	30.48	1.200
16	395381016	395381516	395386016	395386516	42.64	1.679	35.56	1.400
18	395381018	395381518	395386018	395386518	47.72	1.879	40.64	1.600
20	395381020	395381520	395386020	395386520	52.80	2.079	45.72	1.800
22	395381022	395381522	395386022	395386522	57.88	2.279	50.80	2.000
24	395381024	395381524	395386024	395386524	62.96	2.479	55.88	2.200
26	395381026	395381526	395386026	395386526	68.04	2.679	60.96	2.400
28	395381028	395381528	395386028	395386528	73.12	2.879	66.04	2.600
30	395381030	395381530	395386030	395386530	78.20	3.079	71.12	2.800
32	395381032	395381532	395386032	395386532	83.28	3.279	76.20	3.000
34	395381034	395381534	395386034	395386534	88.36	3.479	81.28	3.200
36	395381036	395381536	395386036	395386536	93.44	3.679	86.36	3.400
38	395381038	395381538	395386038	395386538	98.52	3.879	91.44	3.600
40	395381040	395381540	395386040	395386540	103.60	4.079	96.52	3.800
42	395381042	395381542	395386042	395386542	108.68	4.279	101.60	4.000
44	395381044	395381544	395386044	395386544	113.76	4.479	106.68	4.200
46	395381046	395381546	395386046	395386546	118.84	4.679	111.76	4.400
48	395381048	395381548	395386048	395386548	123.92	4.879	116.84	4.600



RECOMMENDED PCB LAYOUT

SEE SHEET 1	EC NO: ETC2007-0020 DRAWN: C.YORK 2006/07/25 CHKD: J.PAWLICKI 2006/07/25 APPR: J.PAWLICKI 2006/07/26	DESCRIPTION	QUALITY SYMBOLS	GENERAL TOLERANCES (UNLESS SPECIFIED)	DIMENSION STYLE	SCALE	DESIGN UNITS	THIRD ANGLE PROJECTION
			▽=0	mm INCH	MM/IN	3:1	INCH	⊙
			▽=0	4 PLACES ± --- ± ---	DRAWN BY DATE	TITLE	MOLEX INCORPORATED	
				3 PLACES ± --- ± .005	C. YORK 2006/07/24			5.08MM, EURO DUAL HEADER HORIZONTAL, CLOSED END, STACKABLE
	2 PLACES ± 0.13 ± .01	CHECKED BY DATE	MATERIAL NO. DOCUMENT NO.					
	1 PLACE ± 0.3 ± ---	J. PAWLICKI 2006/07/24	SD-39538-002	SHEET NO.				
	ANGULAR ± 2 °	APPROVED BY DATE	2 OF 2					
		J. PAWLICKI 2006/07/24	THIS DRAWING CONTAINS INFORMATION THAT IS PROPRIETARY TO MOLEX INCORPORATED AND SHOULD NOT BE USED WITHOUT WRITTEN PERMISSION					