

THIS DRAWING IS UNPUBLISHED. RELEASED FOR PUBLICATION 20
 © COPYRIGHT 20 BY - ALL RIGHTS RESERVED.

REVISIONS				
P	LTR	DESCRIPTION	DATE	APVD
7		ADDED 1-1 THROUGH 1-8	13DEC2016	JS CG
8		ADDED 2-2	03APR2017	RK DD

NOTES:

- 1. MATERIALS:
 HOUSINGS: GLASS-FILLED THERMOPLASTIC, UL 94V-0 RATED
 SIGNAL CONTACTS (2 OR 4) AND LINE VOLTAGE CONTACTS (3):
 COPPER ALLOY
- 2. FINISH:
 SIGNAL CONTACTS (2 OR 4): NICKEL UNDERPLATE ENTIRE
 CONTACT 0.127 µm MIN THICK. GOLD PLATE CONTACT
 PAD AREA (MATING FACE SIDE ONLY) 0.76 µm MIN THICK.
 MATTE TIN PLATE TAB ON BOTH SIDES 0.30 µm MIN THICK.
 LINE VOLTAGE CONTACTS (3): TIN PLATE.
- 3. LINE VOLTAGE CONDUCTORS (3):
 14 AWG, 600V, 150°C RATED, COPPER 41/30 STRANDED
 PER UL STYLE AWM 3321.
- 4. MATING INTERFACE PER ANSI C136.41-2013.
- 5. OPTIONAL SIGNAL CONTACTS (2) SUPPLIED.
- 6. SIGNAL CONDUCTORS (2 OR 4):
 18 AWG, 600V, 150°C RATED, 16/30 STRANDED,
 PER UL STYLE AWM 3321.
- 7. LINE VOLTAGE CONDUCTORS (3):
 14 AWG, 600V, 105°C RATED, COPPER 41/30 STRANDED.
 PER UL STYLE AWM 1015.
- 8. SIGNAL CONDUCTORS (2 OR 4):
 18 AWG, 600V, 105°C RATED, COPPER 16/30 STRANDED.
 PER UL STYLE AWM 1015.
- 9. LUBRICATION: GOLD PLATED CONTACT PAD SURFACES OF SIGNAL
 CONTACTS ARE LUBRICATED WITH A TRANSPARENT (NON-VISIBLE)
 LUBRICANT TO IMPROVE DURABILITY AND PERFORMANCE. AVOID
 CONTACT WITH THESE SURFACES WHICH MAY RESULT IN REMOVAL
 OF LUBRICANT.
- 10. WHEN INCLUDED: SEALING GASKET (TE P/N 2213626-1 OR 2213847-1)
 SHIPPED IN PLACE ON ASSEMBLY AND RETAINED BY THE WIRE LEAD BUNDLE.
- 11. CONTAINS ARGENTINA S MARK LABEL. LOCATION APPROX. AS SHOWN

11	341.1	304.8	291.3	3 AND 6	N	4 5	2-2213627-2
	341.1	304.8	291.3	7 AND 8	Y	4 5	1-2213627-8
	341.1	304.8	291.3	7 AND 8	Y	2	1-2213627-7
	341.1	304.8	291.3	3 AND 6	Y	4 5	1-2213627-6
	341.1	304.8	291.3	3 AND 6	Y	2	1-2213627-5
	341.1	304.8	291.3	7 AND 8	N	4 5	1-2213627-4
	341.1	304.8	291.3	7 AND 8	N	2	1-2213627-3
	341.1	304.8	291.3	3 AND 6	N	4 5	1-2213627-2
	341.1	304.8	291.3	3 AND 6	N	2	1-2213627-1
	341.1	304.8	291.3	7 AND 8	Y	4 5	2213627-8
	341.1	304.8	291.3	7 AND 8	Y	2	2213627-7
	341.1	304.8	291.3	3 AND 6	Y	4 5	2213627-6
	341.1	304.8	291.3	3 AND 6	Y	2	2213627-5
	341.1	304.8	291.3	7 AND 8	N	4 5	2213627-4
	341.1	304.8	291.3	7 AND 8	N	2	2213627-3
	341.1	304.8	291.3	3 AND 6	N	4 5	2213627-2
	341.1	304.8	291.3	3 AND 6	N	2	2213627-1
	C	A	B	WIRE STYLE	GASKET 10	SIGNAL CONTACTS QUANTITY	PART NO.
	OVERALL LENGTH	WIRE LENGTH					

NEW PRODUCT
 PRELIMINARY
 IN DEVELOPMENT

THIS DRAWING IS A CONTROLLED DOCUMENT.

DWN	RAWLS	07APR2015
CHK	C. GINGRICH	07APR2015
APVD	C. GINGRICH	07APR2015
PRODUCT SPEC	108-32059	
APPLICATION SPEC	114-32148	
WEIGHT	-	
Customer Drawing	SCALE 1:2	SHEET 1 OF 4

RESTRICTED TO

Customer Drawing

SCALE 1:2 SHEET 1 OF 4 REV 8

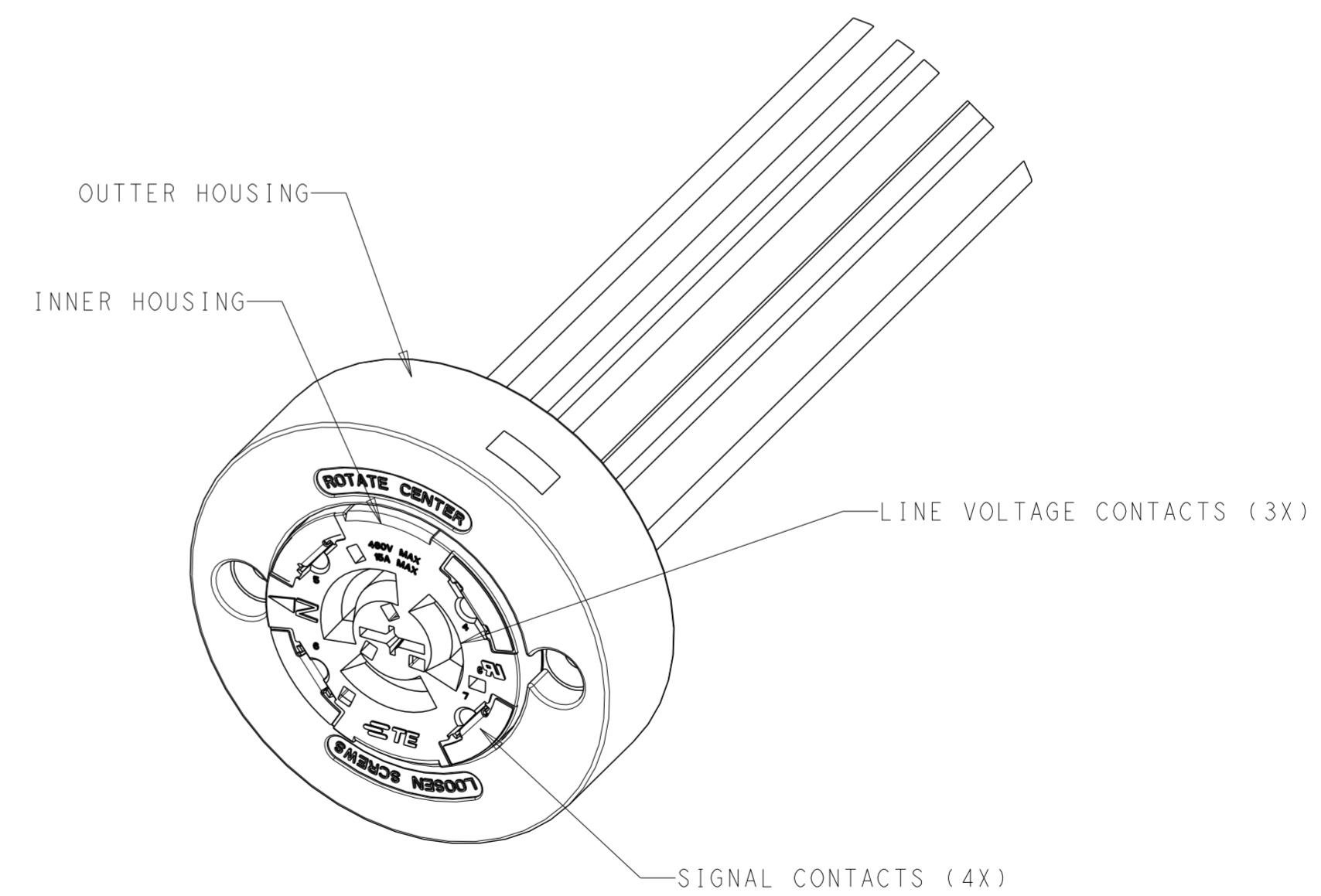
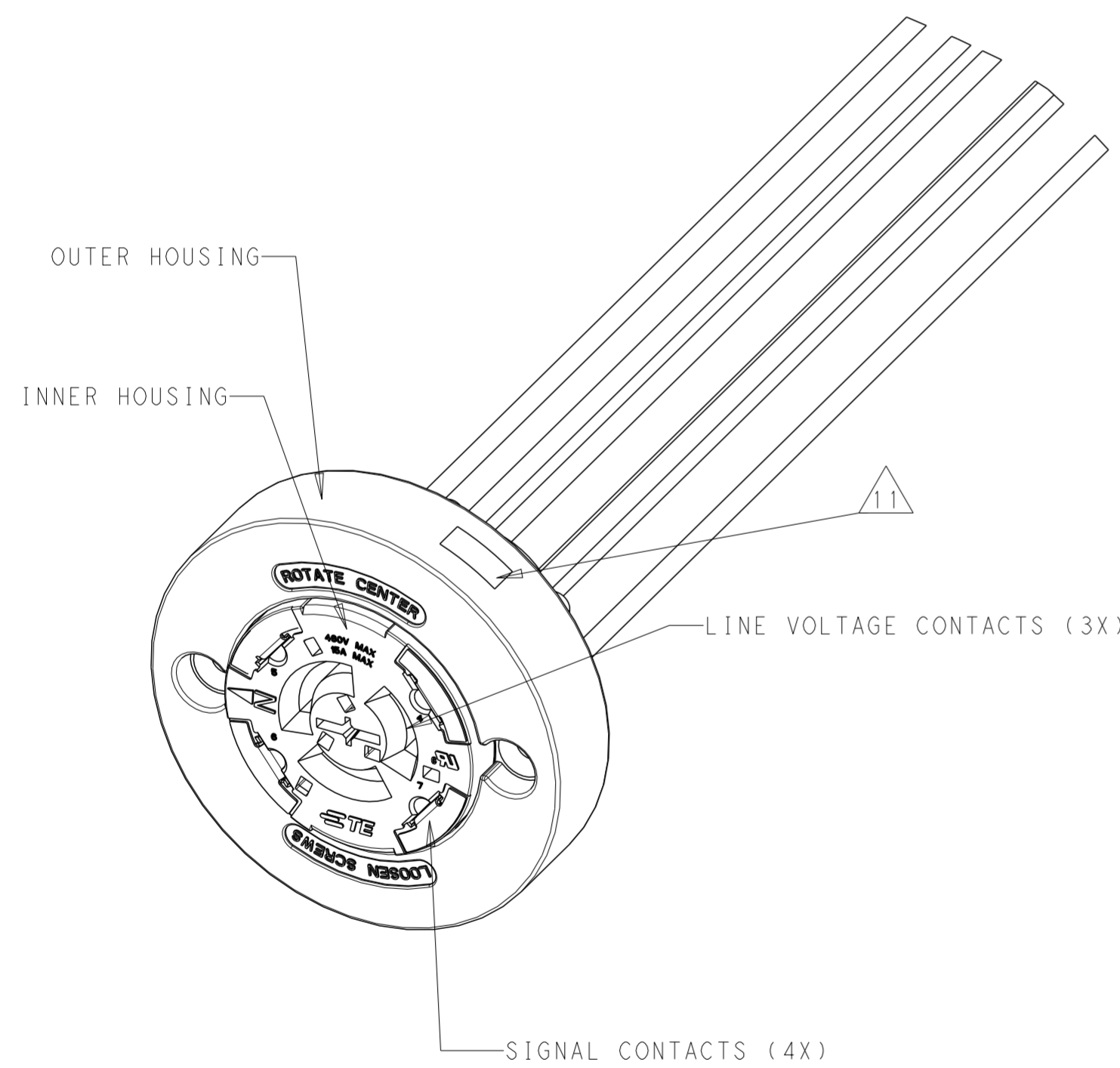
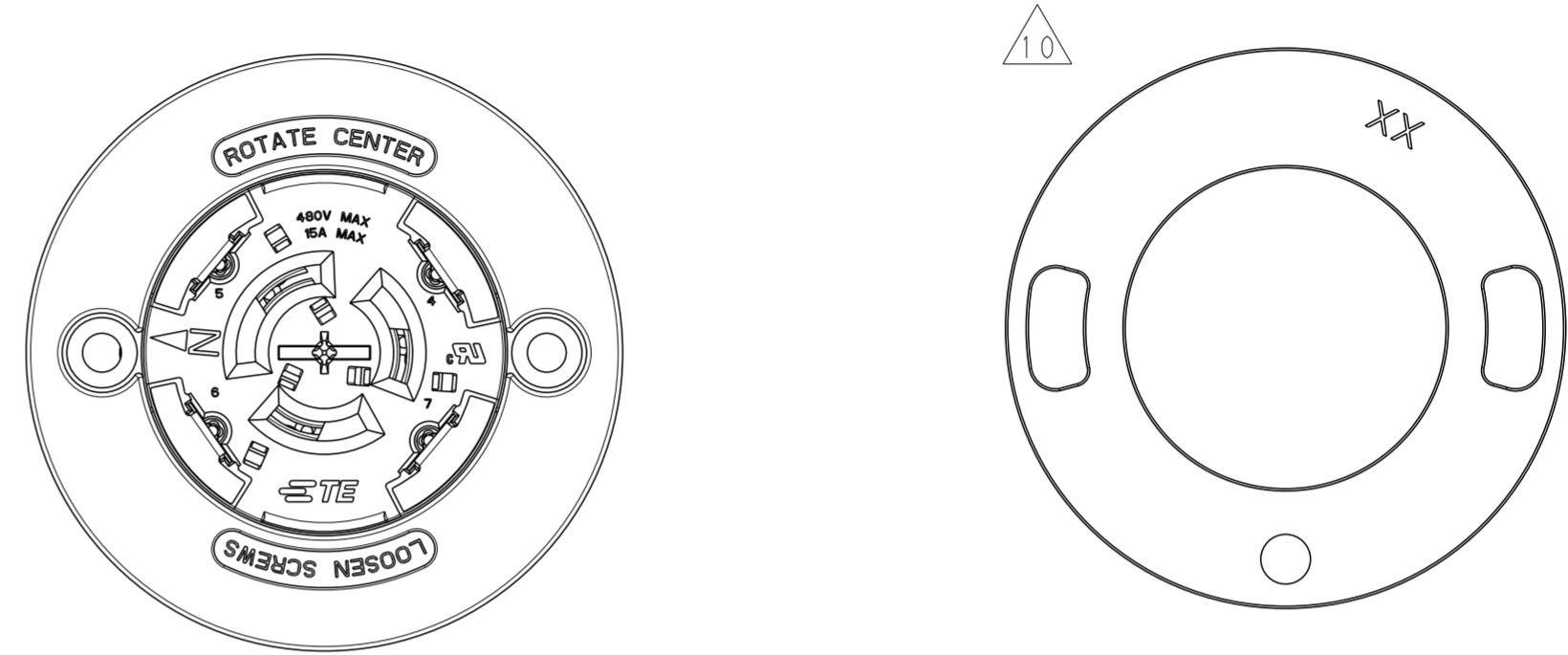
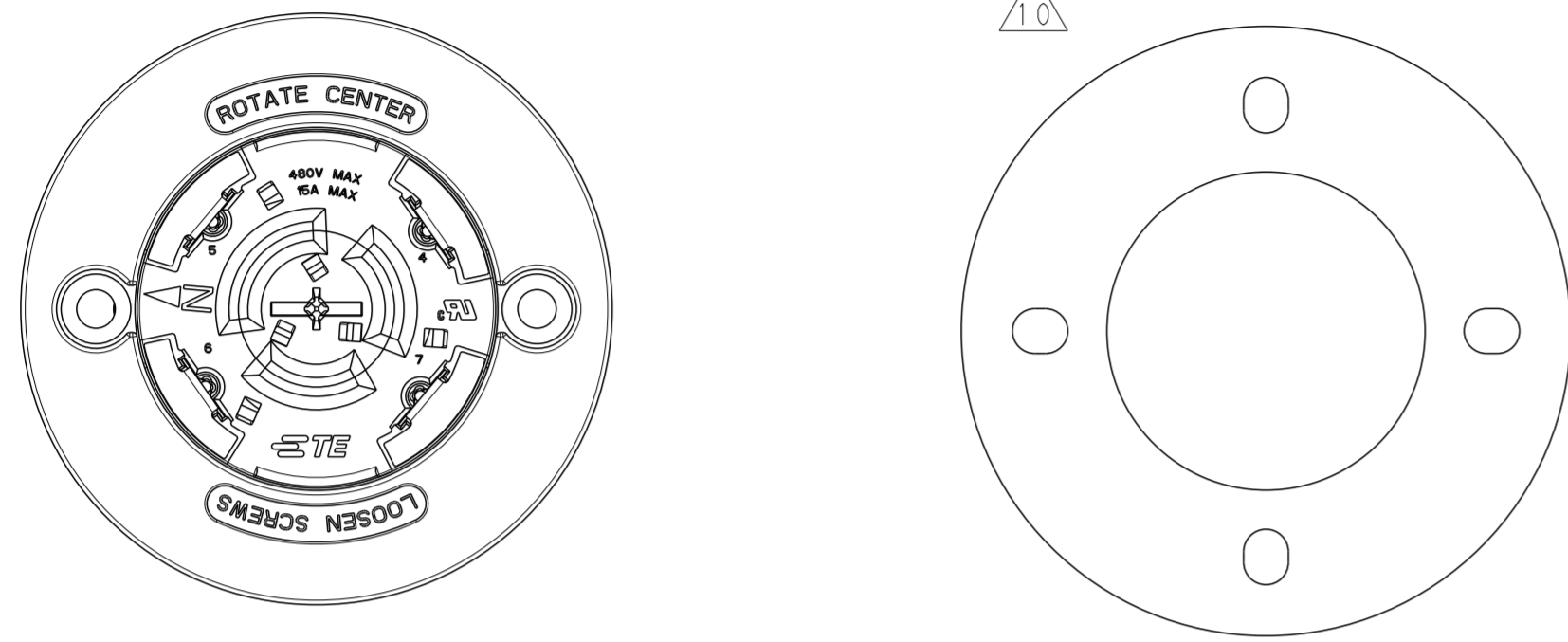
THIS DRAWING IS UNPUBLISHED. RELEASED FOR PUBLICATION 20
 © COPYRIGHT 20 BY - ALL RIGHTS RESERVED.

REVISIONS				
P	LTR	DESCRIPTION	DATE	APVD
-	-	SEE SHEET 1	-	-

SEE SHEET 3 FOR WIRING COLOR CODE

2213627-1 THRU 2213627-8 AND 2-2213627-2 SHOWN

1-2213627-1 THRU 1-2213627-8 SHOWN



NEW PRODUCT
 PRELIMINARY
 IN DEVELOPMENT

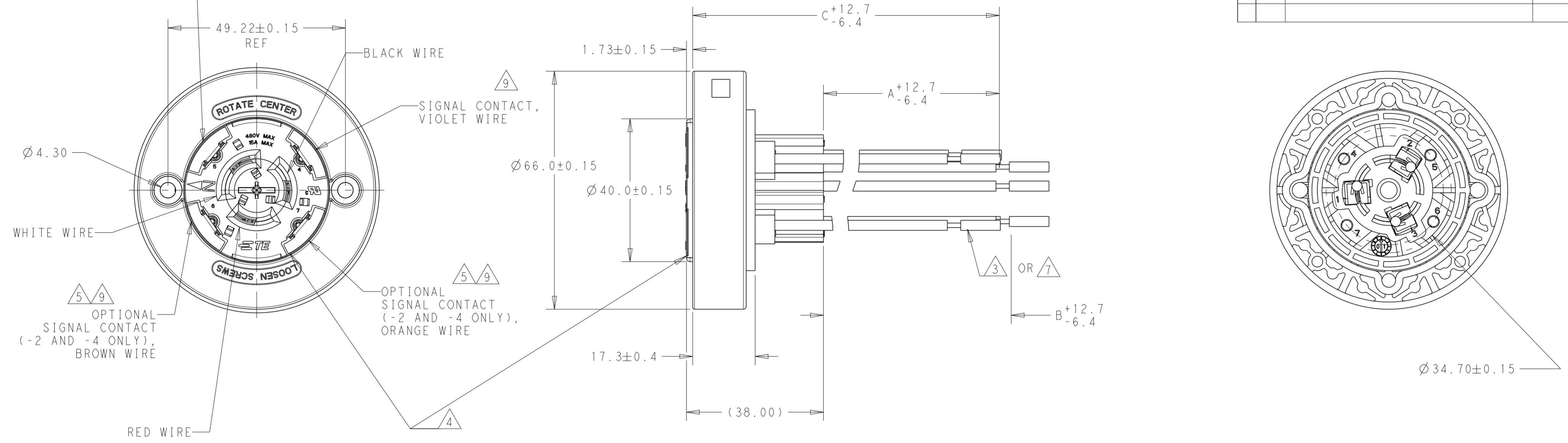
THIS DRAWING IS A CONTROLLED DOCUMENT.		DWN RAVLS 07APR2015	STE TE Connectivity	
DIMENSIONS: mm		CHK C.GINGRICH 07APR2015		
TOLERANCES UNLESS OTHERWISE SPECIFIED:		APVD C.GINGRICH 07APR2015	NAME ASSEMBLY ROTATING DIMMING RECEPTACLE (49.22mm),	
0 PLC ±	1 PLC ±	PRODUCT SPEC 108-32059	SIZE A2	
2 PLC ±	3 PLC ±	APPLICATION SPEC 114-32148	CAGE CODE -	DRAWING NO C-2213627
4 PLC ±	ANGLES ±	WEIGHT -	RESTRICTED TO -	REV 8
MATERIAL -	FINISH -	Customer Drawing	SCALE 1:2	SHEET 2 OF 4

THIS DRAWING IS UNPUBLISHED. RELEASED FOR PUBLICATION 20
 © COPYRIGHT 20 BY - ALL RIGHTS RESERVED.

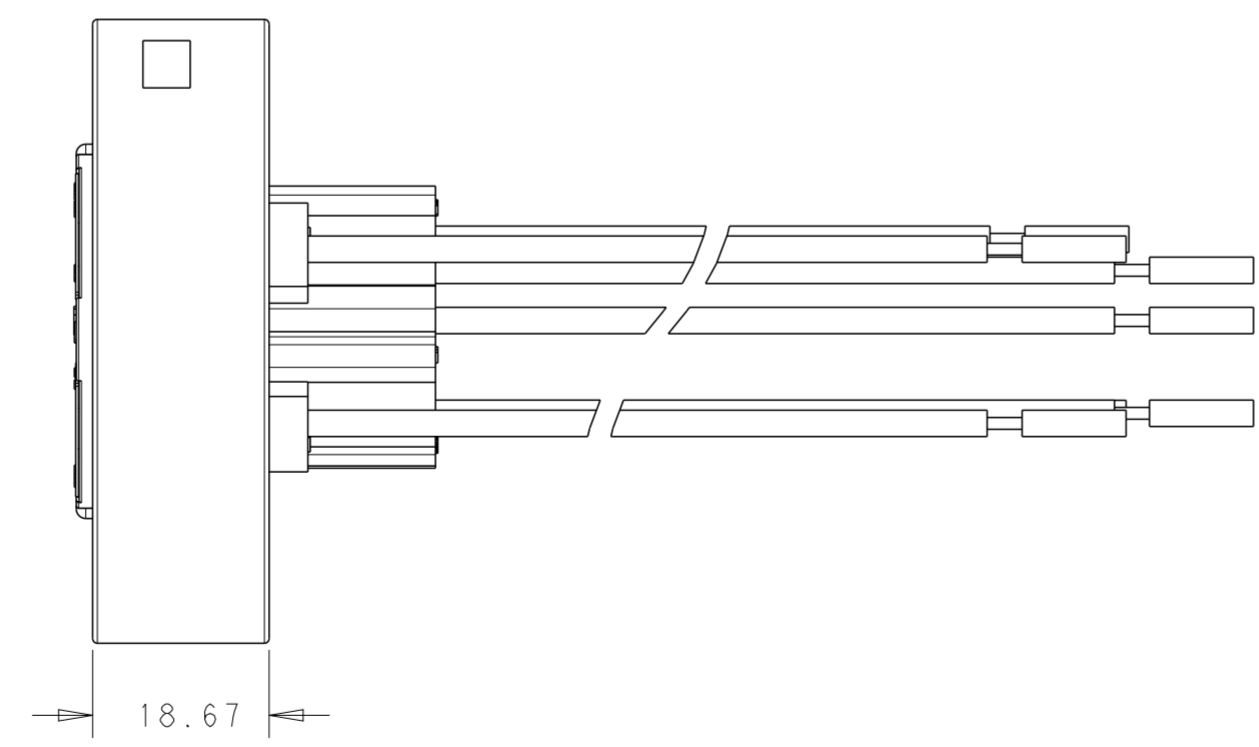
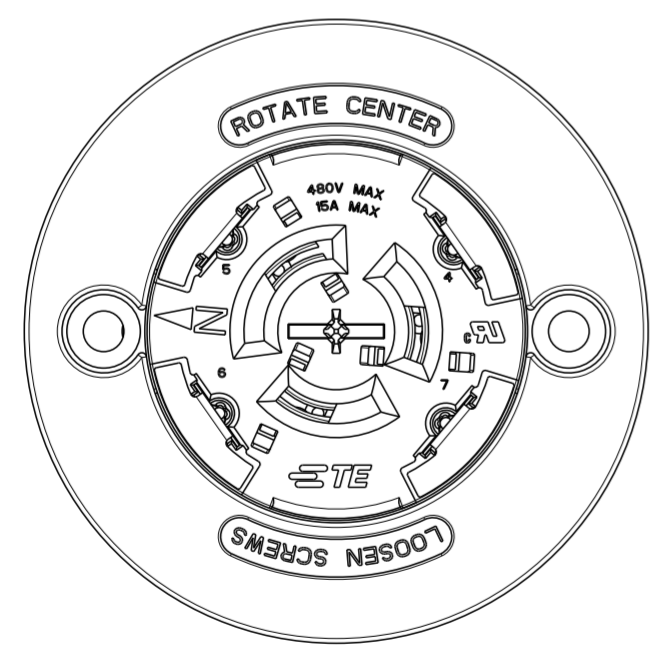
REVISIONS				
P	LTR	DESCRIPTION	DATE	APVD
-	-	SEE SHEET 1	-	-

9 SIGNAL CONTACT, GREY WIRE
 SEE TABLE FOR QUANTITY

2213627-1 THRU 2213627-8 SHOWN



1-2213627-1 THRU 1-2213627-8
 SAME AS
 2213627-1 THRU 2213627-8
 EXCEPT AS SHOWN



TYPE	POSITION #	WIRE COLOR
POWER	1	BLACK
POWER	2	WHITE
POWER	3	RED
SIGNAL	4	VIOLET
SIGNAL	5	GRAY
SIGNAL	6	BROWN
SIGNAL	7	ORANGE

NEW PRODUCT
 PRELIMINARY
 IN DEVELOPMENT

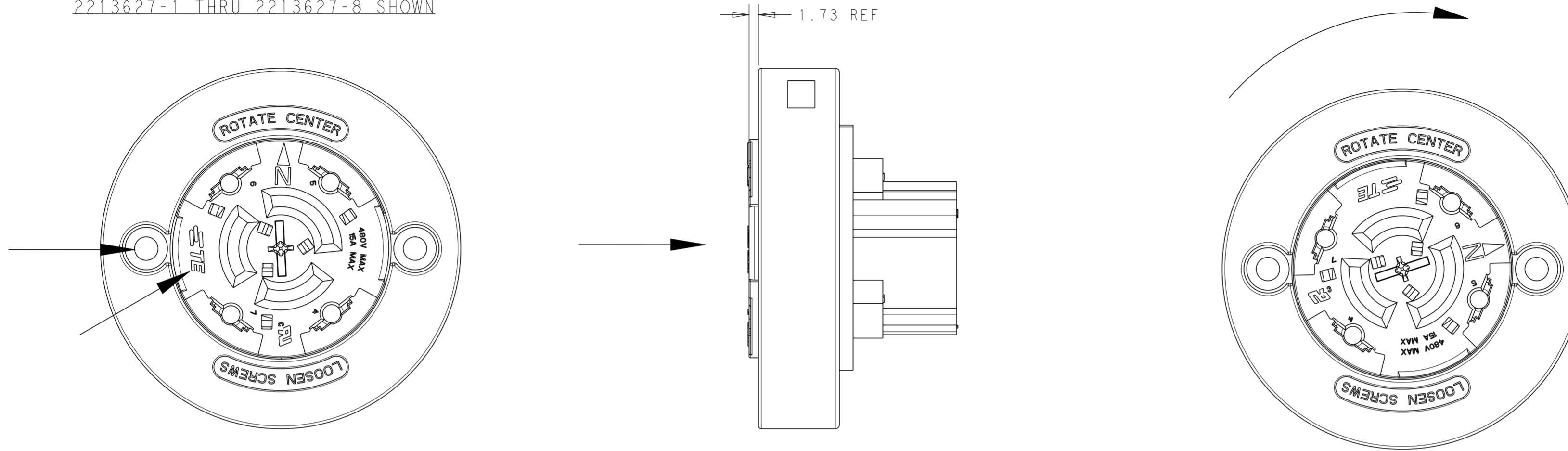
THIS DRAWING IS A CONTROLLED DOCUMENT.		DWN RAVI.S 07APR2015	TE Connectivity	
DIMENSIONS: mm		CHK C.GINGRICH 07APR2015		
TOLERANCES UNLESS OTHERWISE SPECIFIED:		APVD C.GINGRICH 07APR2015	NAME ASSEMBLY ROTATING DIMMING RECEPTACLE (49.22mm),	
0 PLC ±		PRODUCT SPEC 108-32059	SIZE A2	
1 PLC ±		APPLICATION SPEC 114-32148	CAGE CODE -	
2 PLC ±		WEIGHT -	DRAWING NO. C-2213627	
3 PLC ±		Customer Drawing	RESTRICTED TO -	
4 PLC ±			SCALE 1:2 SHEET 3 OF 4 REV 8	
ANGLES ±				
FINISH -				
-				

THIS DRAWING IS UNPUBLISHED. RELEASED FOR PUBLICATION 20
 © COPYRIGHT 20 BY - ALL RIGHTS RESERVED.

REVISIONS				
P	LTR	DESCRIPTION	DATE	APVD
-	-	SEE SHEET 1	-	-

IF THE LOCK RING BECOME SEPARATED FROM THE INNER HOUSING ASSEMBLY, FOLLOW THE THESE STEPS TO SNAP IT BACK INTO PLACE
 TO ASSEMBLE THE LOCK RING ONTO THE INNER HOUSING, THESE STEPS MUST BE FOLLOWED.

2213627-1 THRU 2213627-8 SHOWN

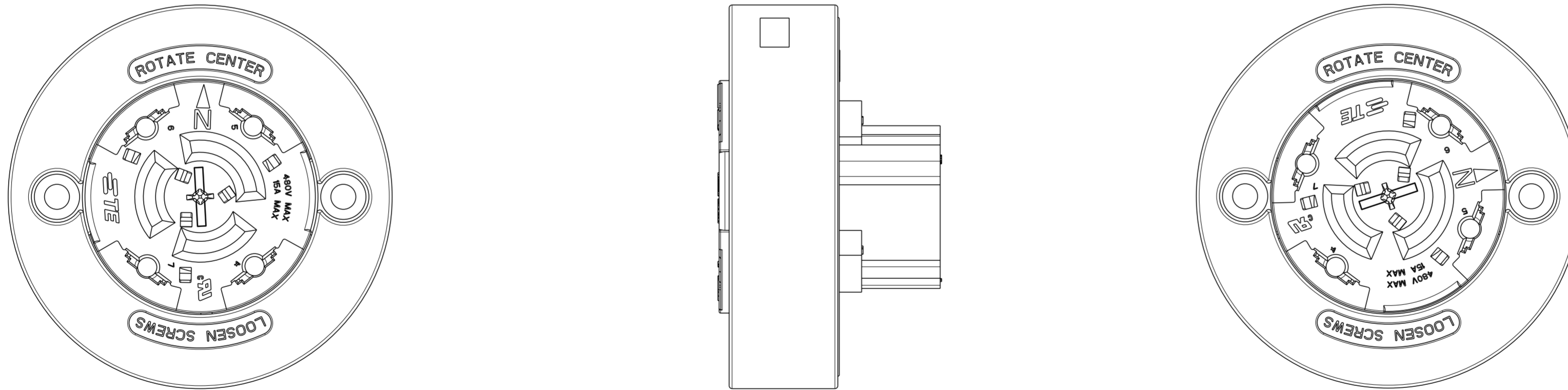


STEP 1: ALIGN THE TE LOGO WITH ONE OF THE SCREW HOLES ON THE LOCK RING.

STEP 2: SNAP THE LOCK RING ONTO THE INNER HOUSING ASSEMBLY

STEP 3: TURN THE LOCK RING FULLY CLOCKWISE UNTIL IT STOPS (THE NORTH INDICATOR WILL BE ADJACENT TO ONE OF THE SCREW HOLES IN THE LOCK RING)

1-2213627-1 THRU 1-2213627-8 SHOWN



NEW PRODUCT
 PRELIMINARY
 IN DEVELOPMENT

THIS DRAWING IS A CONTROLLED DOCUMENT.		DWN RAVLS 07APR2015	STE TE Connectivity	
DIMENSIONS: mm		CHK C.GINGRICH 07APR2015		
TOLERANCES UNLESS OTHERWISE SPECIFIED:		APVD C.GINGRICH 07APR2015	NAME ASSEMBLY ROTATING DIMMING RECEPTACLE (49.22mm),	
0 PLC ±	1 PLC ±	PRODUCT SPEC 108-32059	SIZE A2	CAGE CODE -
2 PLC ±	3 PLC ±	APPLICATION SPEC 114-32148	DRAWING NO C-2213627	RESTRICTED TO -
4 PLC ±	ANGLES ±	WEIGHT -	SCALE 1:2	SHEET 4 OF 4
MATERIAL -	FINISH -	Customer Drawing	REV 8	