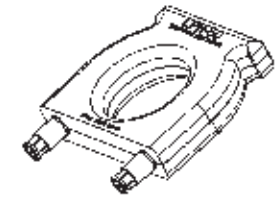
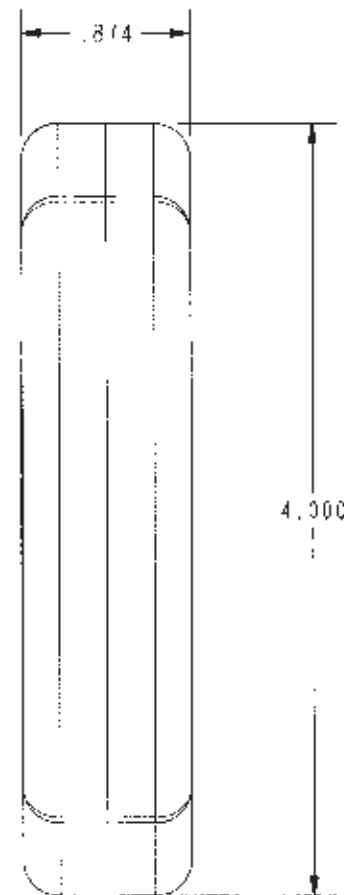
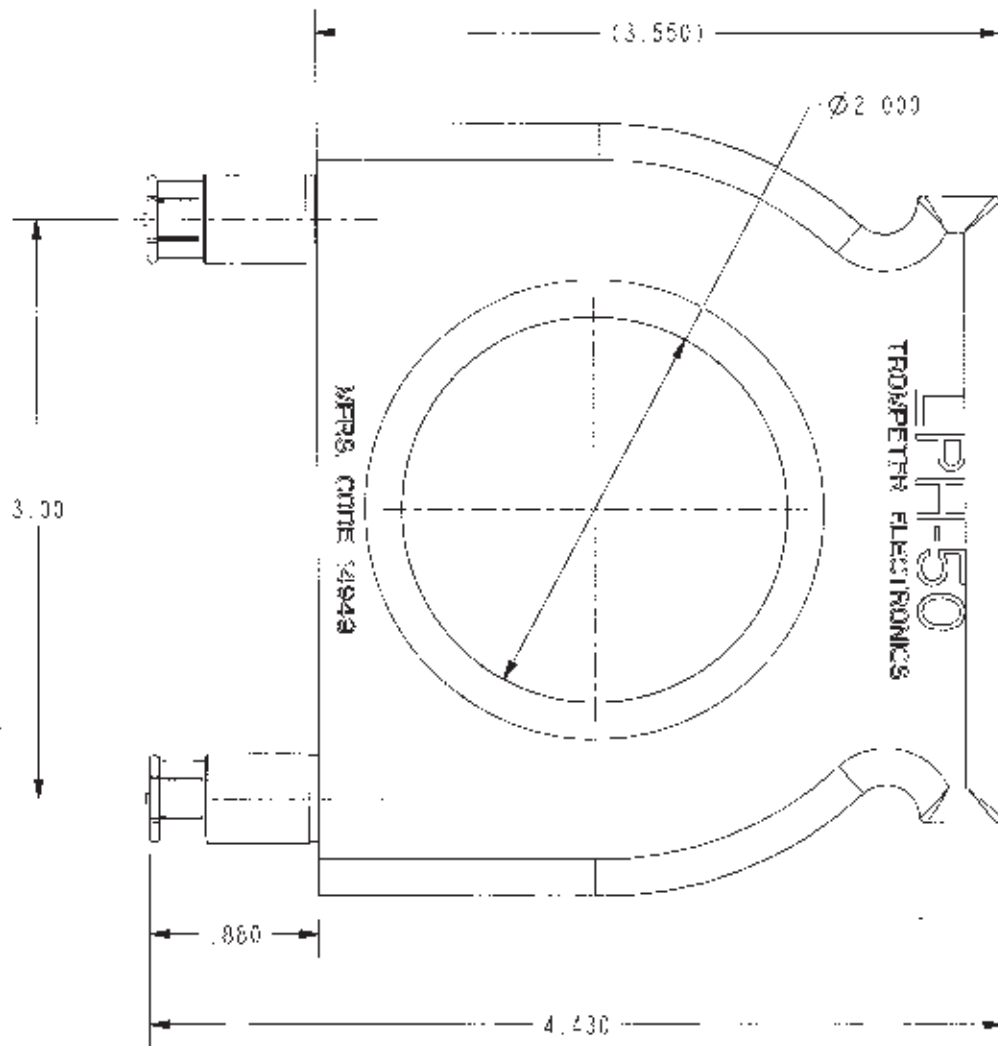


DASH NO	MFG VAL. I.F.	COLOR CODE	MOD NO
-1	50 OFMS	GREEN	1PH-50

DATA CONTAINED IN THIS DOCUMENT IS PROPRIETARY TO TROMPETER ELECTRONICS INC. AND SHALL NOT BE REPRODUCED, COPIED OR USED FOR PROMOTION OR MANUFACTURE WITHOUT EXPRESS WRITTEN PERMISSION.

REV	DESCRIPTIONS	DATE	APPROVED
0	REVISED PER ECO 15585	7/15/08	WMC



SCALE 1/4

RED INDICATES ORIGINAL

1. FINISH: PLUGS, TFS-1A (NICKEL)
HANDLE, SEE COLOR CODE N CIART

NOTES: UNLESS OTHERWISE SPECIFIED.

UNLESS OTHERWISE SPECIFIED PER MIL-STD-100 DIMENSIONS ARE IN INCHES AND INCLUDE FINISH THICKNESS UNLESS OTHERWISE SPECIFIED.	DEC. UNLESS SPECIFIED .000 + .000 .000 + .000 .000 + .000 .000 + .000 .000 + .000 .000 + .000
DESIGNED BY: N JOHNSON 3-26-08 CHECKED BY: JIM 6-23-08 DATE: 7/15/08	FINISH:
NEXT ASSY: 1-0422	DO NOT SCALE DIMS



LPH

SIZE	PAGE	CONT.	DEPARTING NO.	REV
A	14949		-0422	C
SCALE	DATE	SHEET	IC	
1/1	8-2-05	10		