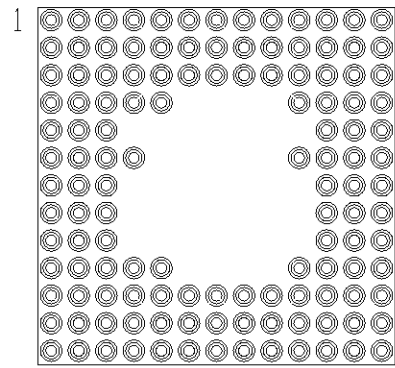


DRAWING NO
C - 210790



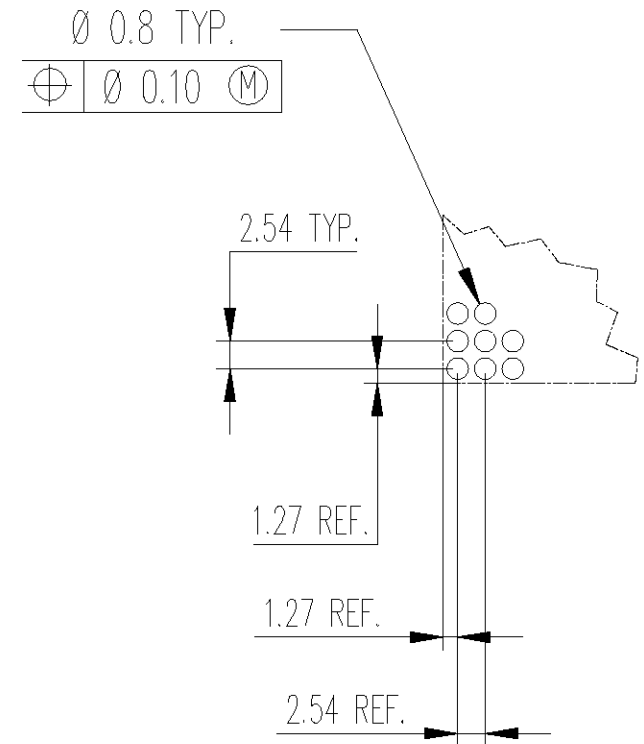
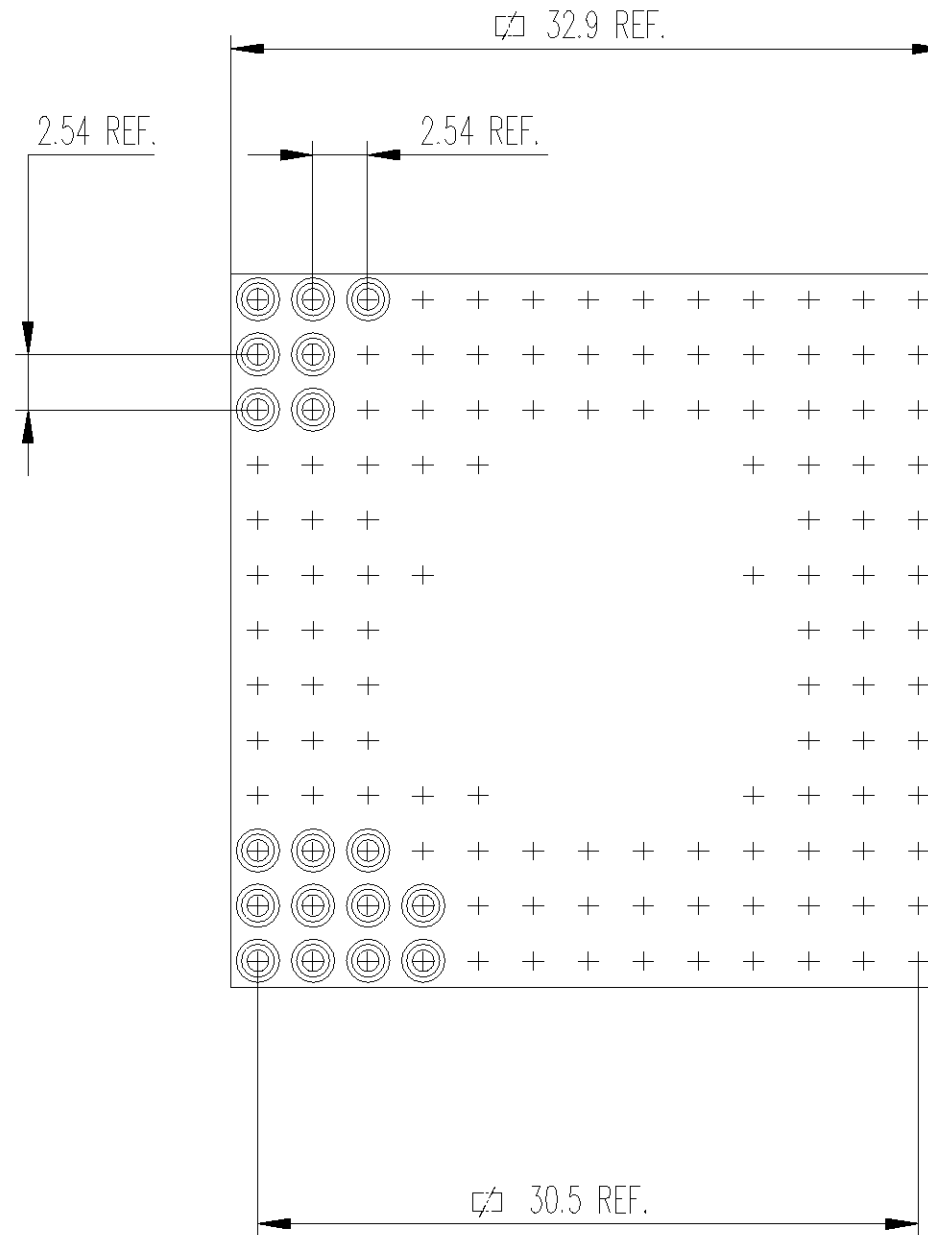
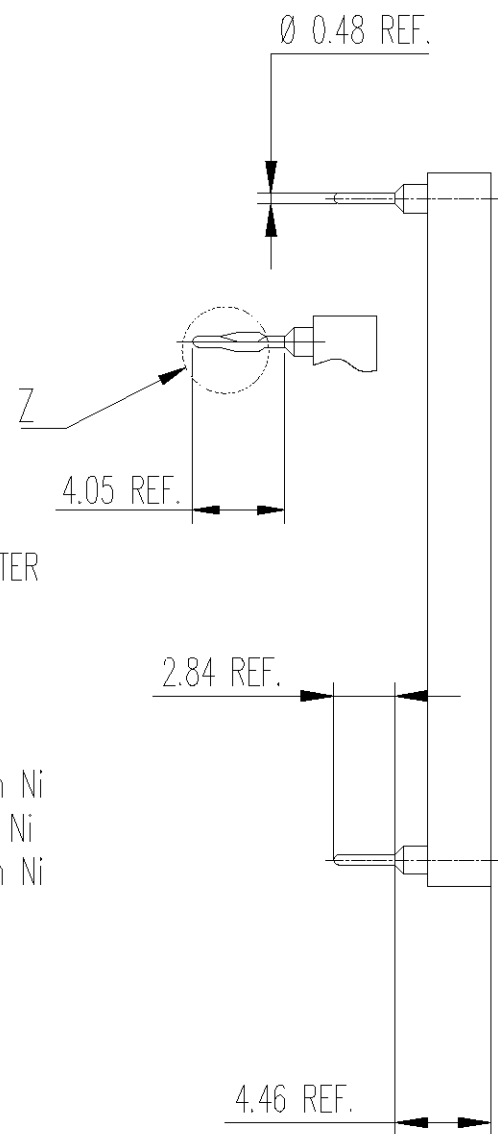
128 positions

Ech. 1:1

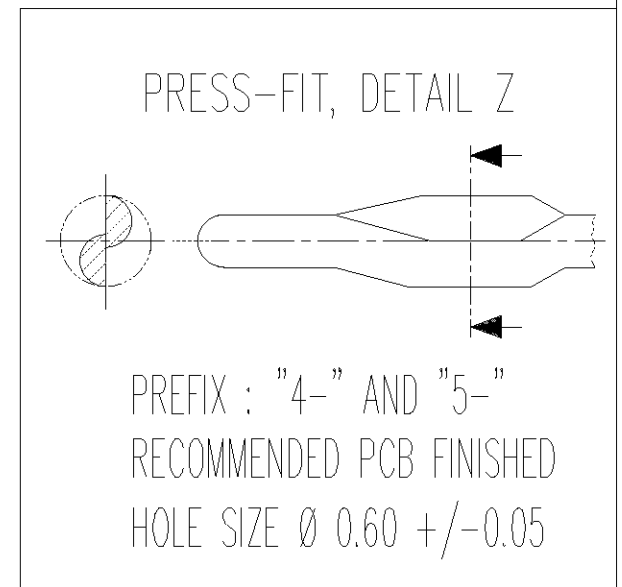
NOTE :

1. MATERIAL
 - INSULATOR : GLASSFILLED THERMOPLASTIC POLYESTER
 - SOLDER TAIL SLEEVE : BRASS
 - PRESS-FIT SLEEVE : PHOSPHOR BRONZE
 - CLIP : STAMPED BERYLLIUM COPPER
2. SLEEVE PLATING:
 - PREFIX "0-" AND "2-": 5µm Sn/Pb OVER 2-3µm Ni
 - PREFIX "1-" AND "3-": 0.25µm Au OVER 2-3µm Ni
 - PREFIX "4-" AND "5-": 3µm Sn/Pb OVER 2-3µm Ni
3. INNER CONTACT PLATING
 - SUFFIX "-1" 0.25µm 18c. Au
 - SUFFIX "-3" 0.75µm 18c. Au
 - SUFFIX "-4" 0.75µm 24c. Au
 - SUFFIX "-5" 5µm MIN. Sn/Pb **
 - SUFFIX "-6" 0.1µm FLASH 24c. Au
 - SUFFIX "-7" 0.60µm 18c. Au
 - ** ONLY WITH PREFIX "0-", "2-", "4-" AND "5-"
4. INNER SPRING CONTACT ACCEPT Ø 0.40 TO 0.56 OR RECTANGULAR PIN 0.25 x 0.45
5. INSERTION CHARACTERISTICS:
 - PREFIX "0-", "1-" AND "4-": VERY LOW FORCE
 - PREFIX "2-", "3-" AND "5-": ULTRA LOW FORCE
6. MECHANICAL DATA WITH A Ø 0.43 TEST PIN :

	VLI	ULI
-MAX. INSERTION FORCE :	0.7N	0.2N
-MIN. EXTRACTION FORCE :	0.1N	0.05N
-MECHANICAL LIFE : 100 CYCLES MIN.		



RECOMMENDED P.C.
BOARD PATTERN



DIMENSIONS	mm						DRAWN S.CHANDEVAVLT 21 JUL 99	THIS INFORMATION IS CONFIDENTIAL AND IS DISCLOSED TO YOU ON CONDITION THAT NO FUTHER DISCLOSURE IS MADE BY YOU TO OTHER THAN AMP PERSONNEL WITHOUT WRITTEN AUTHORIZATION FROM DSM SWITZERLAND.				
							CHECKED A. BOLIS 21 JUL 99					
SURFACE TEXTURE		A1	NEW CAD DRAWING					APPROVED	NAME CLOSED FRAME PGA 13 x 13, 128 SOCKETS			
CONCENTRICITY		A	EW00-0020-97	P.A.MEIER	02 APR 97	P.A.MEIER	CUSTOMER DRAWING					
PRODUCT SPEC.		P	REV	ECN	DRWN	DATE	APVD	FOR REFERENCE ONLY				
		DSM DECOLLETAGE SA SAINT-MAURICE CH 1890 SAINT-MAURICE (VS)					LOC EK	SCALE 2/1	SIZE A4	DRAWING NO C - 210790	SHEET 1 OF 1	REVISION A1

WAS 700-128-13-1-CC AND CCAP