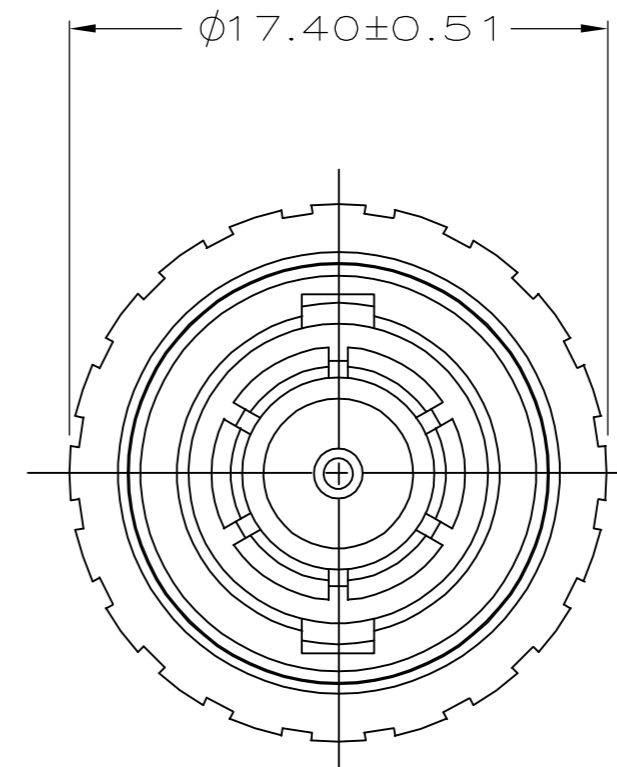
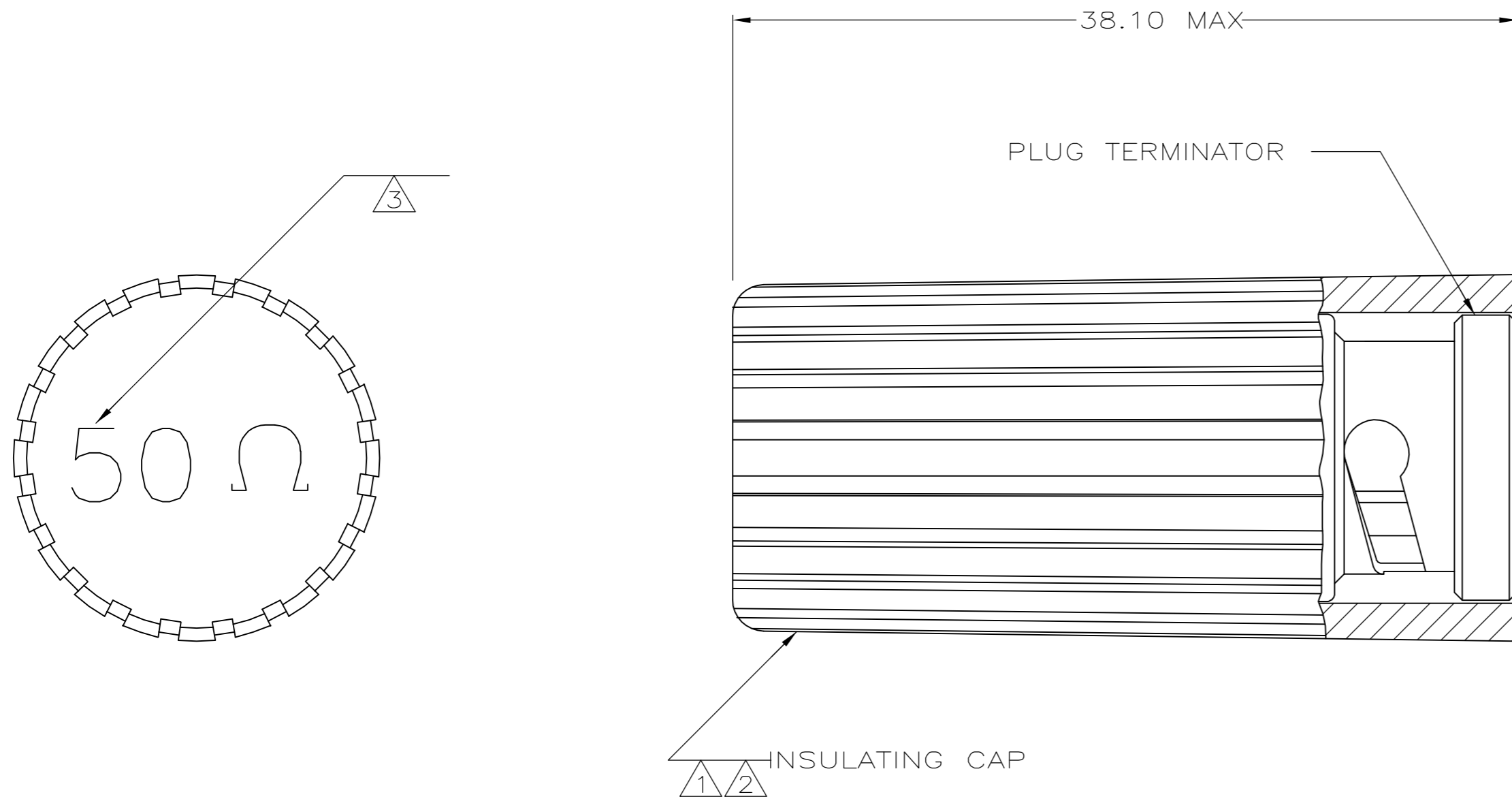


THIS DRAWING IS UNPUBLISHED. RELEASED FOR PUBLICATION  
 © COPYRIGHT BY TYCO ELECTRONICS CORPORATION. ALL RIGHTS RESERVED.

LOC	DIST	REVISIONS			
P	LTR	DESCRIPTION	DATE	DWN	APVD
AJ	16	B1	REVISED PER ECO-05-015912	31MAR2006	KS JH



- 1 POLYPHENYLENE OXIDE, COLOR: GRAY
- 2 POLYPHENYLENE OXIDE, COLOR: BLACK
- 3 RESISTOR VALUE IS MOLDED IN INSULATING CAP
- 4 RESISTOR SPECIFICATIONS:
  - A. 1/2 WATT
  - B. 1% TOLERANCE
  - C. 50 Ohm
- 5 SAME AS 413557-1 EXCEPT PACKAGED 5 PER BOX

5	OBSOLETE	1	413557-3
		2	413557-2
	OBSOLETE	1	413557-1
		FINISH	PART NUMBER

THIS DRAWING IS A CONTROLLED DOCUMENT.		DWN P. KERLIN 10/19/90	Tyco Electronics Corporation Harrisburg, PA 17105-3608
DIMENSIONS: mm [INCHES]		CHK J.L.GROFT 10-25-90	
TOLERANCES UNLESS OTHERWISE SPECIFIED:		APVD J. DUNBAR 10-25-90	NAME TERMINATOR, PLUG, INSULATED, 50 Ohm, COMMERCIAL BNC
0 PLC ± -		PRODUCT SPEC	
1 PLC ± -		APPLICATION SPEC	SIZE A2
2 PLC ± -		WEIGHT -	CAGE CODE 00779
3 PLC ± -			DRAWING NO C=413557
4 PLC ± -			RESTRICTED TO -
ANGLES ± -			SCALE 4:1
FINISH			SHEET 1 of 1
MATERIAL 1-			REV B1
2-		CUSTOMER DRAWING	