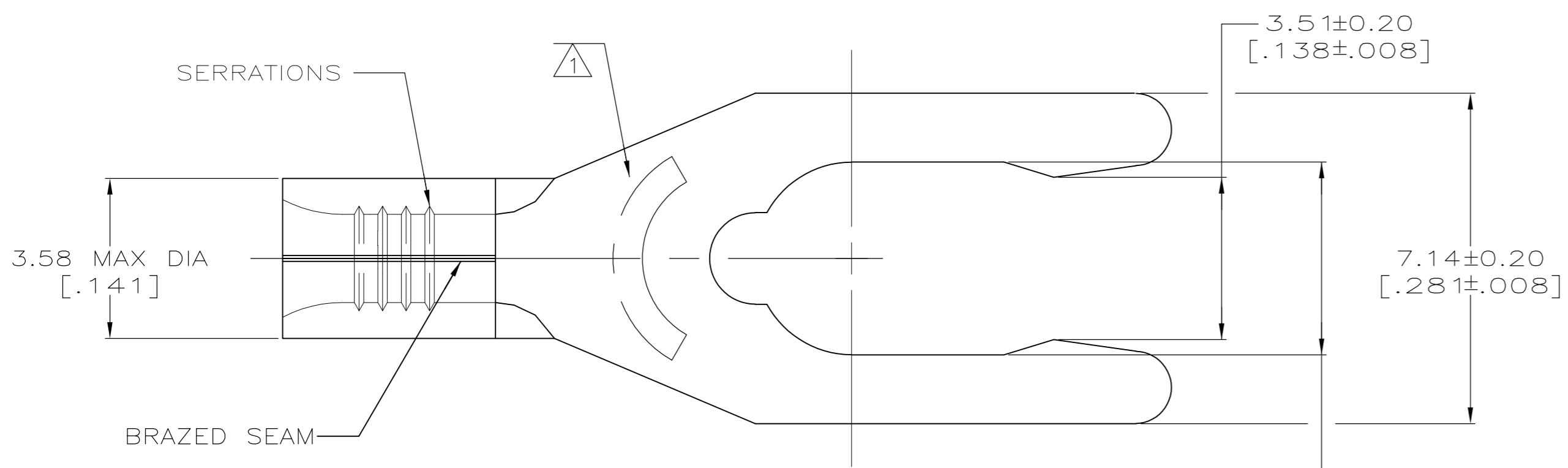


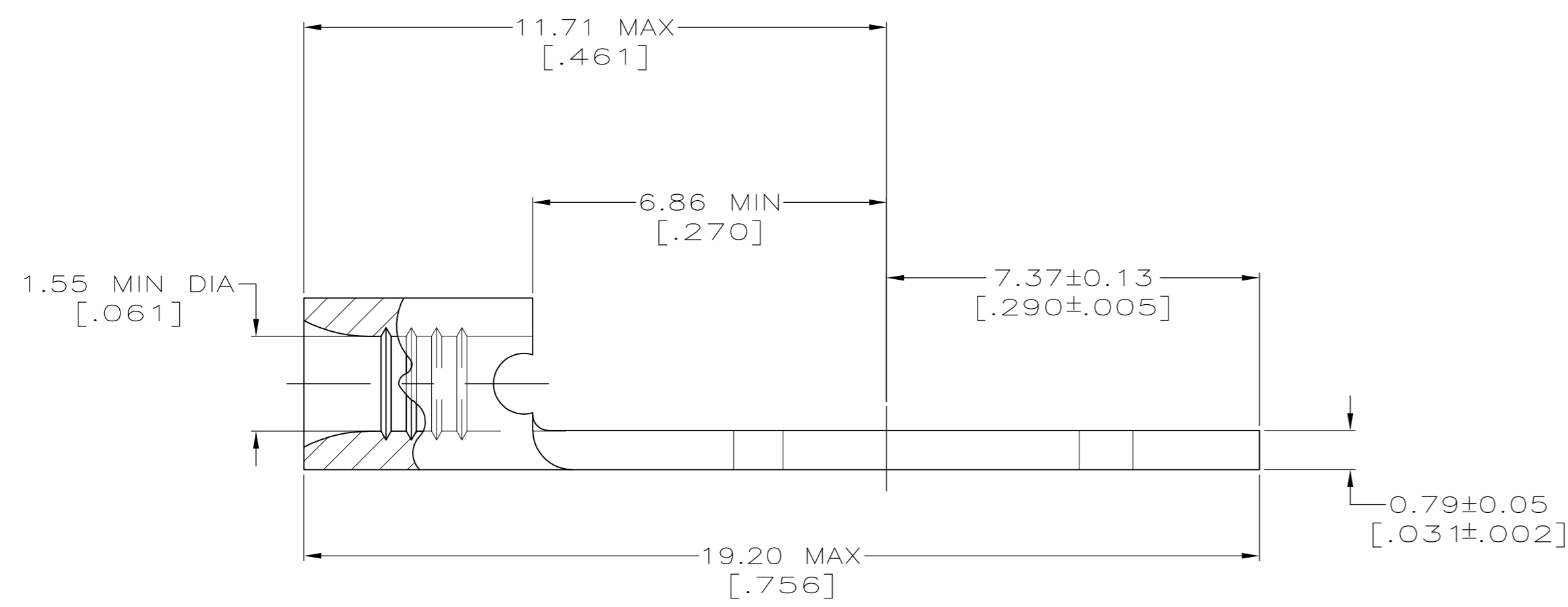
THIS DRAWING IS UNPUBLISHED. RELEASED FOR PUBLICATION
 © COPYRIGHT BY TYCO ELECTRONICS CORPORATION. ALL INTERNATIONAL RIGHTS RESERVED.

LOC	DIST	REVISIONS			
P	LTR	DESCRIPTION	DATE	DWN	APVD
G	14	E	REV PER ECR 09-026308	09DEC09	JR TM



AMP WIRE RANGE	Listed FILE E13288	LR7189 Certified
22-16 AWG SOLID OR STRANDED	22-16 AWG SOLID OR STRANDED	22-16 AWG SOLID OR STRANDED

- ① STAMP 8S AMP 22-18* APPROX AS SHOWN
22-16 TERMINALS ARE STAMPED 22-18 IN
ACCORDANCE WITH MILITARY SPECIFICATION
MIL-T-7928; COMMERCIAL WIRE RANGE IS 22-16
8S INDICATES STUD SIZE
- ② PHOSPHOR BRONZE PER ASTM B-103, ANNEALED
- ③ TIN PLATE 0.00254 [.000100] MIN THK PER ASTM B545



100	LOOSE PIECE, BOX	8-52710-1
5000	ON TAPE	52710-2
---	LOOSE PIECE	52710-1
QTY	PACKAGE TYPE	PART NO.

AMP INCORPORATED CUSTOMER SERVICE SYSTEMS		MAX RECOMMENDED OPERATING TEMPERATURE: 170°C MAX	THIS DRAWING IS A CONTROLLED DOCUMENT.		DWN TA BRINKMAN 3-29-93	Tyco Electronics Corporation Harrisburg, PA 17105-3608					
FOR ADDITIONAL PRODUCT INFORMATION OR COPIES OF DRAWINGS AND TECHNICAL DOCUMENTS	PRODUCT INFORMATION CENTER 1-800-522-6752	VOLTAGE RATING: N/A	DIMENSIONS: MM [INCHES]	TOLERANCES UNLESS OTHERWISE SPECIFIED:	CHK DA PATTERSON 3-29-93						
FOR APPLICATION TOOLING INFORMATION	TOOLING ASSISTANCE CENTER 1-800-722-1111	CIRCULAR MIL AREA: 0.26-1.65mm² [509-3260] SOLID OR STRANDED		0 PLC ± - 1 PLC ± - 2 PLC ± - 3 PLC ± - 4 PLC ± - ANGLES ± -	APVD JL MECKLEY 3-29-93	NAME TERMINAL, LONG SPRING SPADE, SOLISTRAND					
FOR ORDER ENTRY	1-800-526-5142	THIS DRAWING IS A CONTROLLED DOCUMENT FOR AMP INCORPORATED. IT IS SUBJECT TO CHANGE AND THE CONTROLLING ENGINEERING ORGANIZATION SHOULD BE CONTACTED FOR THE LATEST REVISION.	MATERIAL - ②	FINISH - ③	PRODUCT SPEC -	APPLICATION SPEC -	RESTRICTED TO -				
					WEIGHT -	SIZE A2	CAGE CODE 00779	DRAWING NO C=52710	SCALE 10:1	SHEET 1 of 1	REV E

52710