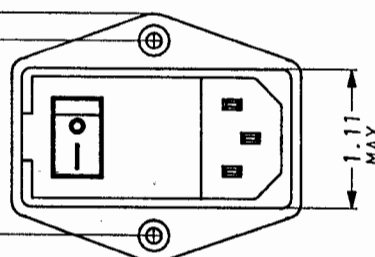
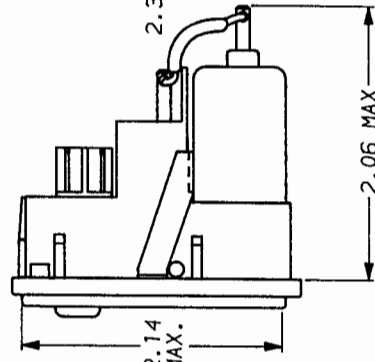
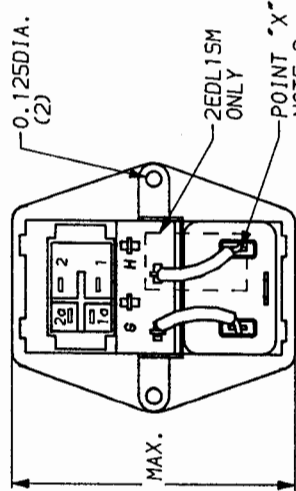
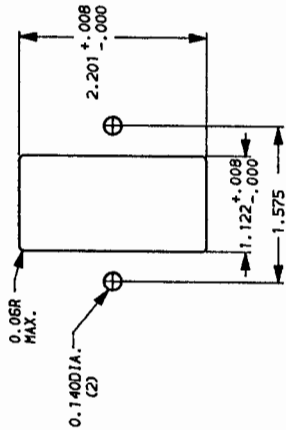
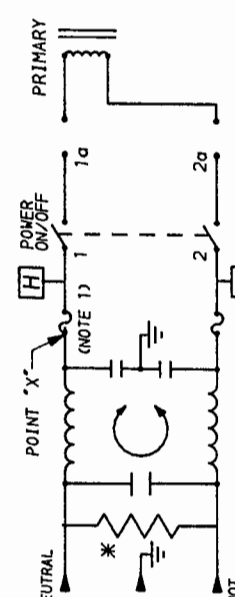


RECOMMENDED PANEL CUTOUT
(NOT TO SCALE)



ALTERNATE SWITCH



- NOTE:**
- 1.) PROVISION FOR DUAL EUROPEAN STYLE FUSING.
 - 2.) 2EDL15 JUMPER FROM POINT X TO 1 AND FROM G TO 2. 2EDL15CM JUMPER FROM H TO 1 AND FROM G TO 2.

*RESISTOR ADDED TO PRODUCT BUILT AFTER 3-30-92 (9212).

APPROVED BY: *C. Westoby* DATE: *4-20-92*

SAFETY ORGANIZATION(S)

THIS FILTER HAS BEEN FORMALLY RECOGNIZED, CERTIFIED OR APPROVED BY THE LISTED AGENCY. THEREFORE, ALL TEST/REQUIREMENTS SPECIFIED IN THE LATEST REVISION OF THE FOLLOWING AGENCY STANDARDS HAVE BEEN MET.

- UL 1283
- CSA 22.2, NO.0,0,4,8
- VDE 565-3, 625
- SEN 432901
- SEV 1055/TP1977/5.1.1

OPERATING SPECIFICATIONS:

- LINE VOLTAGE/CURRENT: 2 AMP., 120/250 VAC
- 50-60HZ
- MAX. LEAKAGE CURRENT, EACH LINE TO GROUND: .25mA @ 120V 50HZ
- OPERATING AMBIENT TEMP. RANGE: .40mA @ 250V 50HZ
- 10°C TO +40°C @ RATED CURRENT, I_r
- IN AN AMBIENT, I_a, HIGHER THAN 40°C, THE MAXIMUM OPERATING CURRENT, I_o, IS AS FOLLOWS:

$$I_o = I_r \sqrt{\frac{85 - I_a}{45}}$$

RELIABILITY SPECIFICATIONS:

- STORAGE TEMPERATURE: -25°C TO +85°C
- HUMIDITY: 21 DAYS @ 40°C 95% RH
- CURRENT OVERLOAD TEST: 6 TIMES RATED CURRENT FOR 8 SECONDS

TEST SPECIFICATIONS:

- INDUCTANCE: .75mH NOMINAL
- CAPACITANCE: (MEASURED @ 1 KHZ, 0.25 VAC MAX., 25°C ± 1°C) .0028µF ± 20%
- LINE TO GROUND: .047µF ± 20%
- LINE TO LINE: 1.5 MΩ
- DISCHARGE RESISTOR: 6000 MΩ (MIN) AT 100 VDC
- LINE/GROUND AND LINE/LINE INSULATION RESISTANCE (W/O DISCHARGE RESISTOR) 20°C AND 50% RH

RECOMMENDED RECEIVING INSPECTION HIPOIL:

- 2250 VDC FOR 1 MINUTE
- 1450 VDC FOR 1 MINUTE

FILTER APPROVAL:
THE BEST WAY TO SELECT AND QUALIFY A FILTER IS FOR YOUR ENGINEERING TO TEST THE UNIT IN YOUR EQUIPMENT.

TOLERANCE EXCEPT AS NOTED

DECIMAL: .XXX .XX .X ANGLES ENGLISH: ±.025 .X ±.1° METRIC: ±

MATERIAL: AS SUPPLIED

FINISH:



LIBERTYVILLE, IL 60048

POWER LINE FILTER

SCALE	DATE	DRG. NO.	REV.
NTS	3-4-87	2EDL15 & 2EDL15M	6
DES. BY	ORIGINATOR		
LJD	CFH		