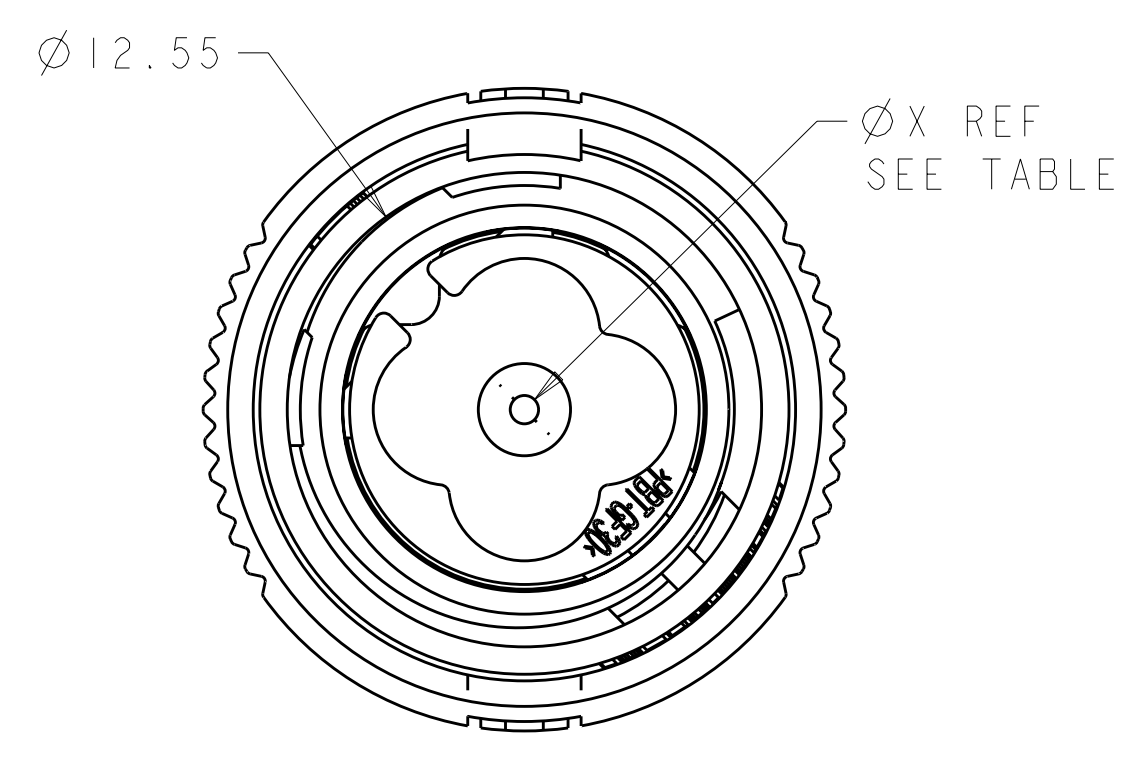
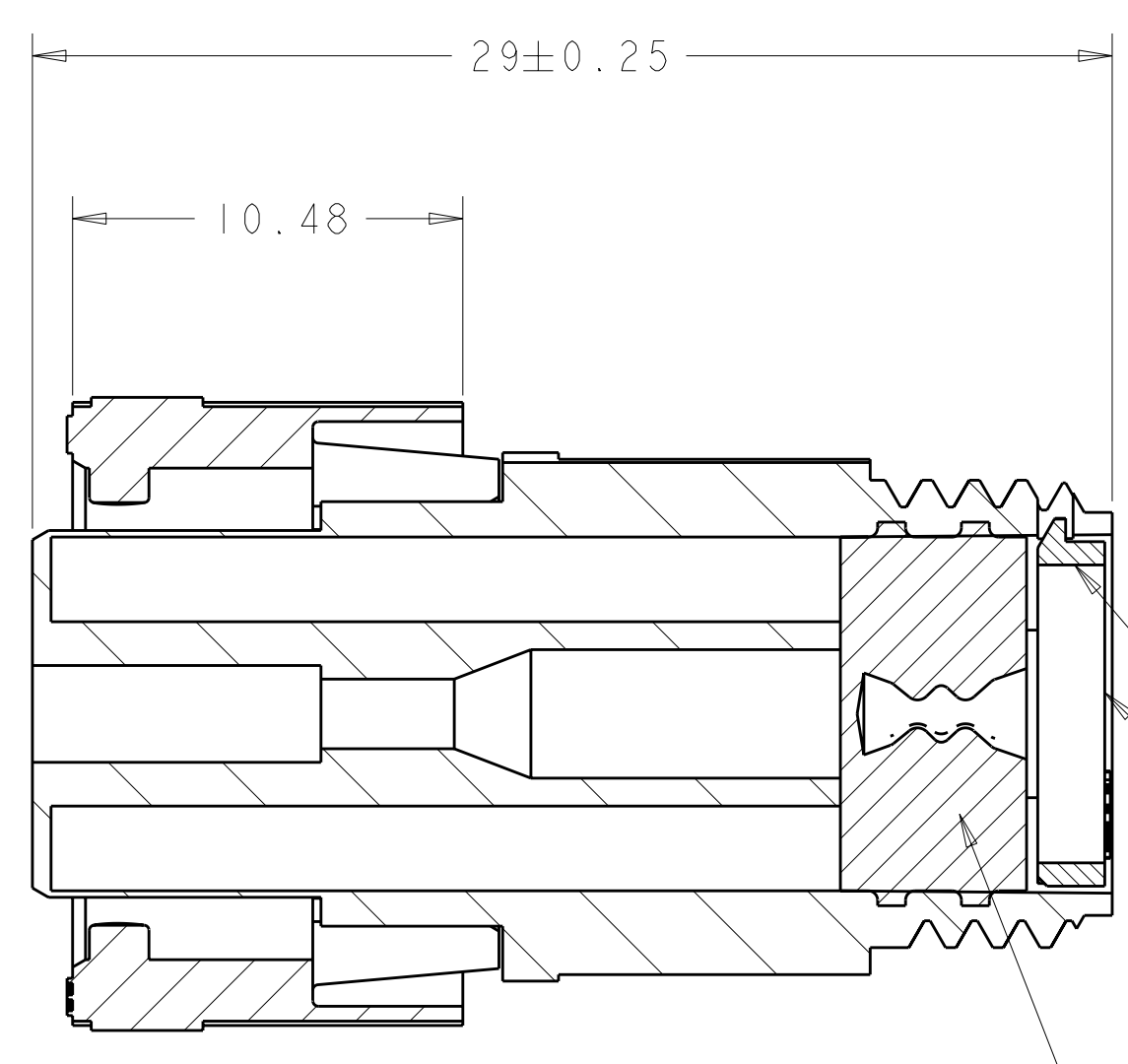
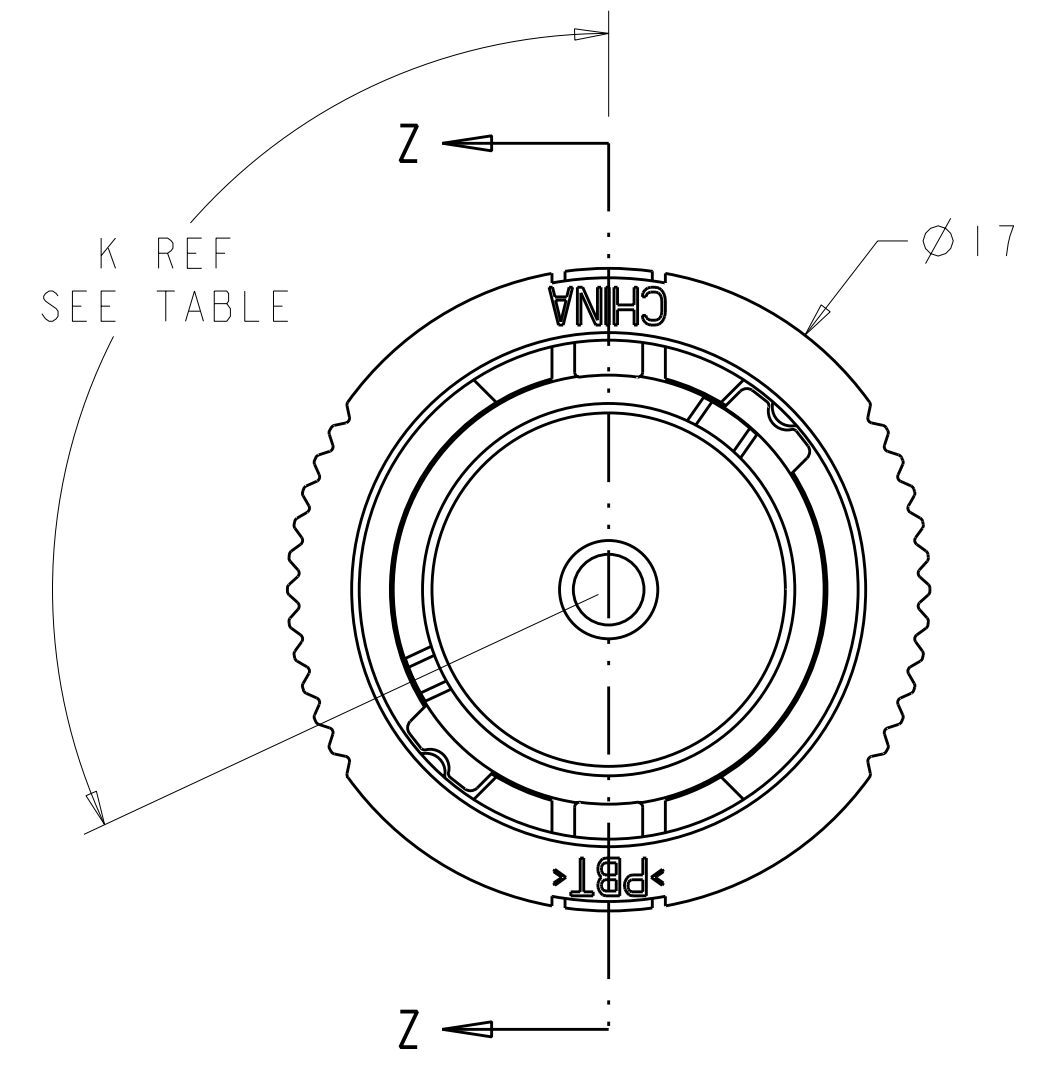
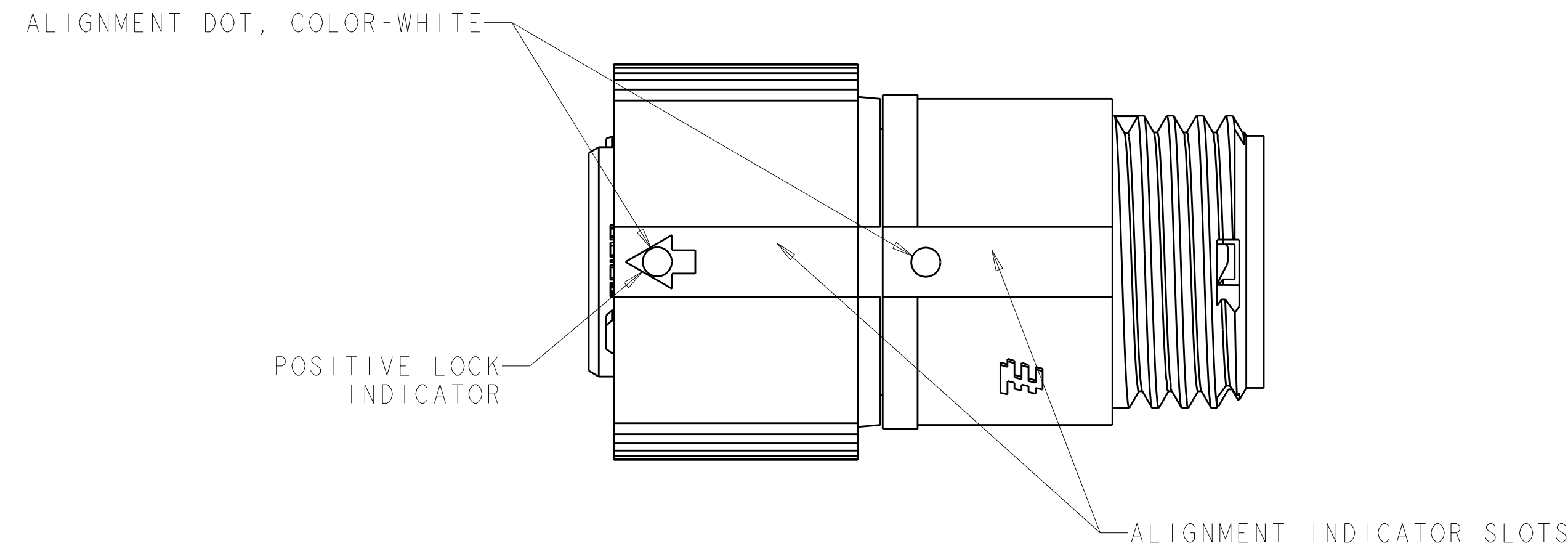
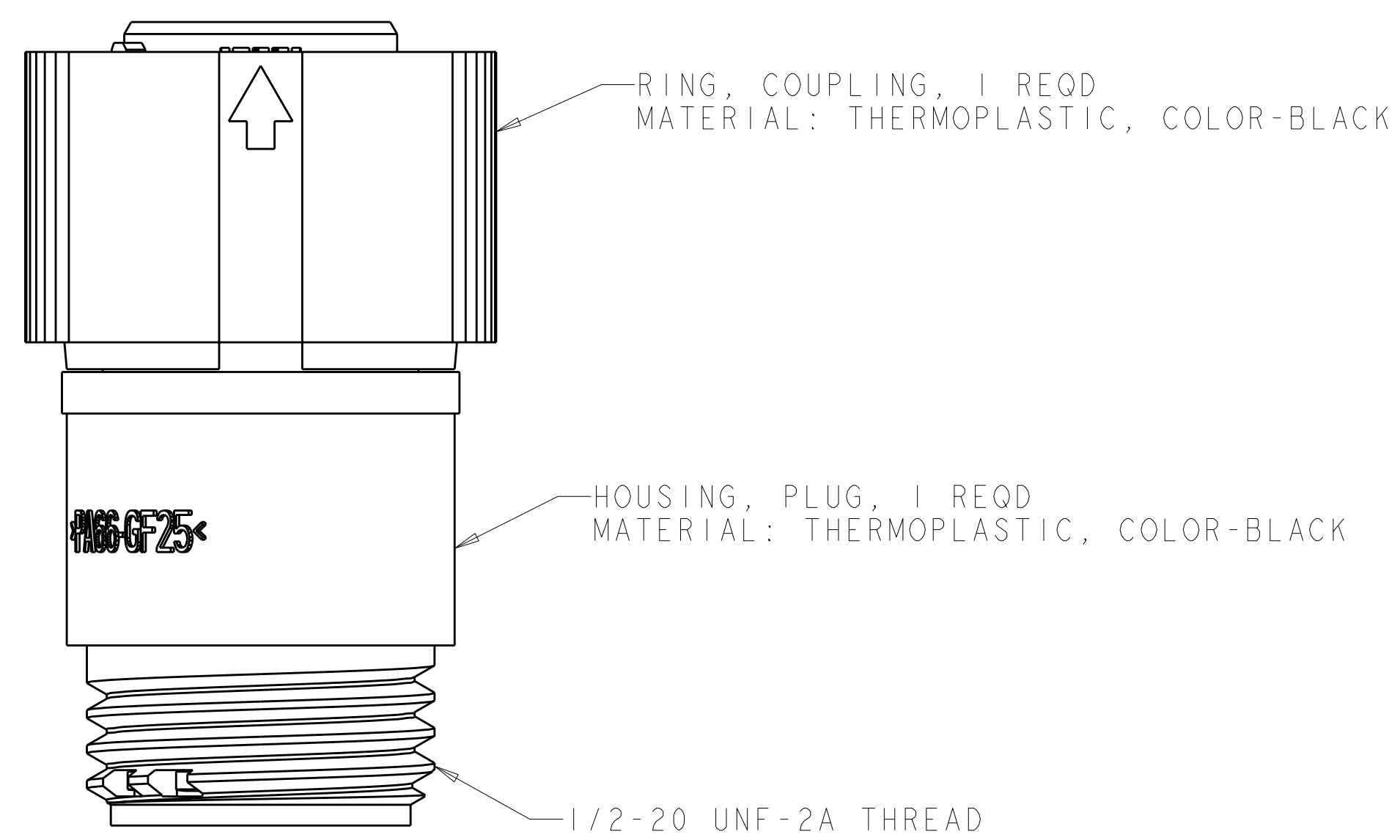


LOC	DIST	REVISIONS					
FT	0	P	LT#	DESCRIPTION	DATE	DWN	APVD
		B1		REVISED EPR ECO-10-014504	19OCT2010	HMR	MG



RETAINER, SEAL, 1 REQD
 MATERIAL: THERMOPLASTIC, COLOR-BLACK
 SEAL, WIRE ENTRY, 1 REQD
 MATERIAL: ELASTOMER, COLOR-SEE TABLE



QUALIFICATION TEST PENDING

YELLOW	Ø0.75	130°	1445536-04
NATURAL	Ø1.5	115°	1445536-03
NATURAL	Ø1.5	130°	1445536-02
YELLOW	Ø0.75	115°	1445536-01
SEAL, WIRE ENTRY COLOR	ØX REF	K REF	PART NUMBER

<small>THIS DRAWING IS UNPUBLISHED. RELEASED FOR PUBLICATION. ALL RIGHTS RESERVED. THIS IS SUBJECT TO CHANGE WITHOUT NOTICE AND WITHOUT LIABILITY. CONTACT YOUR LOCAL SALES OFFICE FOR THE LATEST REVISION.</small>		DWN: S. WIEST 07MAY2001 CHK: G. DOUTY 07MAY2001 APVD: H. WAKEEM 12JUN2003	Tyco Electronics Harrisburg, PA 17105-3608
DIMENSIONS: mm 	TOLERANCES UNLESS OTHERWISE SPECIFIED: 0 PLC ±.5 1 PLC ±0.5 2 PLC ±0.13 3 PLC ±0.013 4 PLC ±0.001 ANGLES ±.1	NAME: ASSEMBLY, PLUG, SIZE 7, 1 POSITION, SEALED MINI CPC PRODUCT SPEC: APPLICATION SPEC:	SIZE: A11 CAGE CODE: 00779 DRAWING NO: C=1445536 RESTRICTED TO:
MATERIAL: SEE CALLOUT	FINISH: SEE CALLOUT	WEIGHT: -	CUSTOMER DRAWING
SCALE: 5:1		SHEET: 1 OF 1	REV: B1