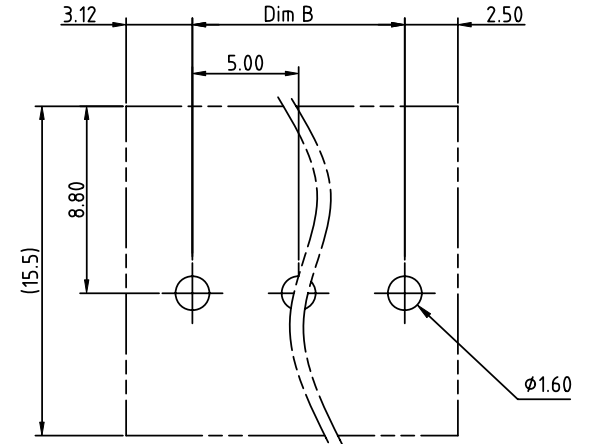
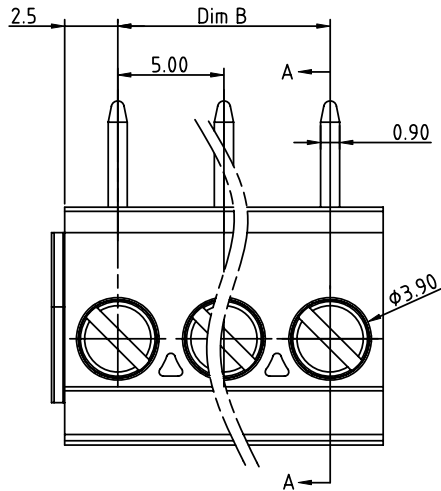
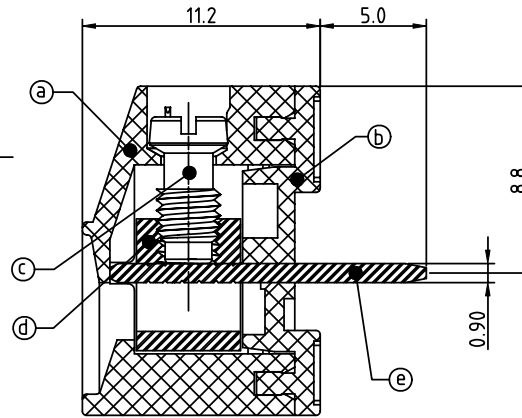
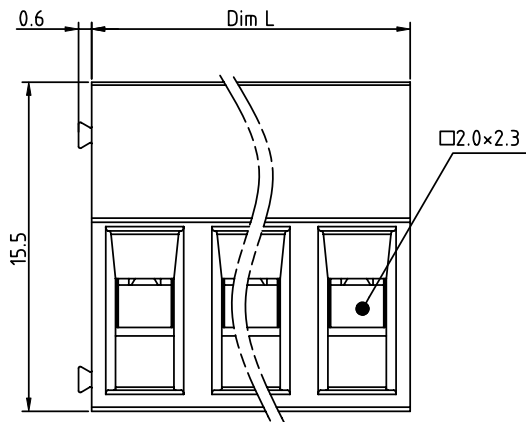


PRODUCT NUMBER	PITCH
ESxx01x000J0G	5.00 mm



RECOMMENDED P.C.B LAYOUT  
TOP VIEW



SECTION A-A

Material

- Item (a) Terminal housing : Thermoplastic ( UL94V-0 )
- Item (b) Terminal cover : Thermoplastic ( UL94V-0 )
- Item (c) Terminal screw : Steel Zinc plating "-" slot type
- Item (d) Clamp : Brass, Ni plated
- Item (e) Solder pin : Brass, Tin plated

Electrical cULus

- Voltage rating: 300VAC
- Current rating: 15A
- Wire range:
- Solid wire(AWG): 14-30
- Stranded wire(AWG): 14-30
- Torque(Lb-In): 4.3
- Screw: M3
- Wire strip length: 6-7mm
- Withstanding Voltage: 1.6KV
- Operating temperature: -40°C to +115°C
- Soldering temperature: 260°C±5°C/5 Sec
- Safety Approval:

DIMENSION

Dim L	NX5.0
Dim B	(N-1)X5.0

N=Number of poles

Poles	Tolerance
2p-6p	±0.15
7p-12p	±0.20
13p-18p	±0.25
19p-24p	±0.30

PART NO.: ES xx 0 1 x 0 00J0 G

End stackable  
No. of poles

Color  
0 Black (RAL9005)  
2 Red (RAL3001/D)  
3 Orange(RAL2011/P)  
4 Yellow(RAL1018/A)  
5 Green(RAL6018/T)  
6 Blue (RAL5015/A)  
8 Grey(RAL7035/D)  
9 White(RAL1102)  
C Green(RAL6018/U)

RoHS compliant  
(lead<4%)  
In copper Alloy

mat'l. code		surface ASME Y14.5	tolerance ASME Y14.5	projection 	product family TERMINAL BLOCK
ltr	ecn no	dr	date	tolerances unless otherwise specified	title TERMINAL BLOCK
				angles X°±1'	scale RISING CLAMP,90D WIRE INLET,END STACABLE
				dr EVIN ZHONG 040814	dwg no ESxx01x000J0G
				enr EVIN ZHONG 040814	sheet 1 of 1 size A4
				chr HANKE FENG 040814	type CUSTOMER Drawing
				appd SHI JUN 040814	
sheet index	revision sheet	A	1		