

VAL-SQ CC 40-120/240S


This item is no longer available. Should you have any questions, please contact our Sales Team.

Order No.: 2803991



<http://eshop.phoenixcontact.de/phoenix/treeViewClick.do?UID=2803991>

Surge protection device for 120/240 V AC split phase configuration
Uses a compact, NEMA rated enclosure that connects easily to an existing enclosure. Hybrid Sine Wave Tracking provides 40 kA surge protection.

Commercial data	
GTIN (EAN)	4 046356 317115 
Note	Made-to-order
sales group	J103
Pack	1 pcs.
Customs tariff	85363030
Catalog page information	Page 72 (TT-2009)

<http://www.download.phoenixcontact.com>
Please note that the data given here has been taken from the online catalog. For comprehensive information and data, please refer to the user documentation. The General Terms and Conditions of Use apply to Internet downloads.

Product description

Surge protection device for 120/240 V AC systems with 40 kA protection

Technical data

Standards	
Housing material	Metal
Degree of protection	IP40 / NEMA 1
Mounting type	3/4 inch NPT male

Design	Parallel hybrid
Ambient temperature (operation)	-40 °C ... 60 °C
Ambient temperature (storage/transport)	-40 °C ... 85 °C
Altitude	3658 m
Message: Surge protection fault	Optical
Direction of action	3L-N & N-GND
Width	190.00 mm
Height	108.00 mm
Length	63.00 mm

Protective circuit

Arrester rated voltage U_c	150 V
Response time	< 1 ns

Connection, protective circuit

Type of connection	#10 AWG/5.26 mm ² wires (24 in./61 cm long)
Connection method	4-wire + Gnd
Conductor cross section AWG/kcmil min.	10
Conductor cross section AWG/kcmil max	10

Environmental conditions

Standards/regulations	UL 1449 2 nd edition, February 2007
	UL 1283
	IEEE C62.41
	IEEE C62.45

NEMA / UL data

UL type	type 2
Maximum Surge Current per Phase	40 kA
Short-circuit current rating (SCCR)	22 kA
Maximum Circuit Breaker	30 A

Certificates / Approvals

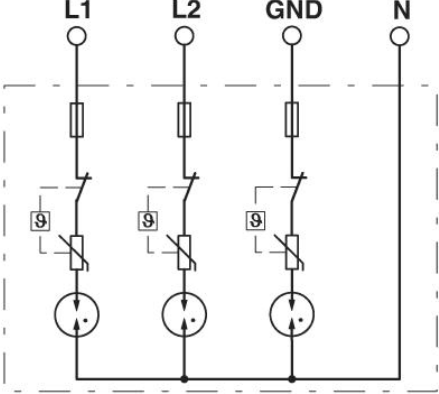


Certification

GOST

Diagrams/Drawings

Circuit diagram



Address

PHOENIX CONTACT Deutschland GmbH
Flachmarktstr. 8
32825 Blomberg, Germany
Phone +49 5235 3 12000
Fax +49 5235 3 41200
<http://www.phoenixcontact.de>



© 2011 Phoenix Contact
Technical modifications reserved;