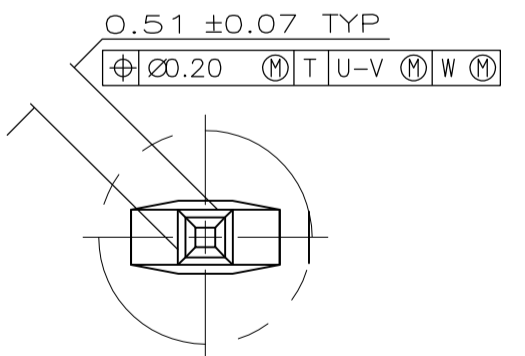
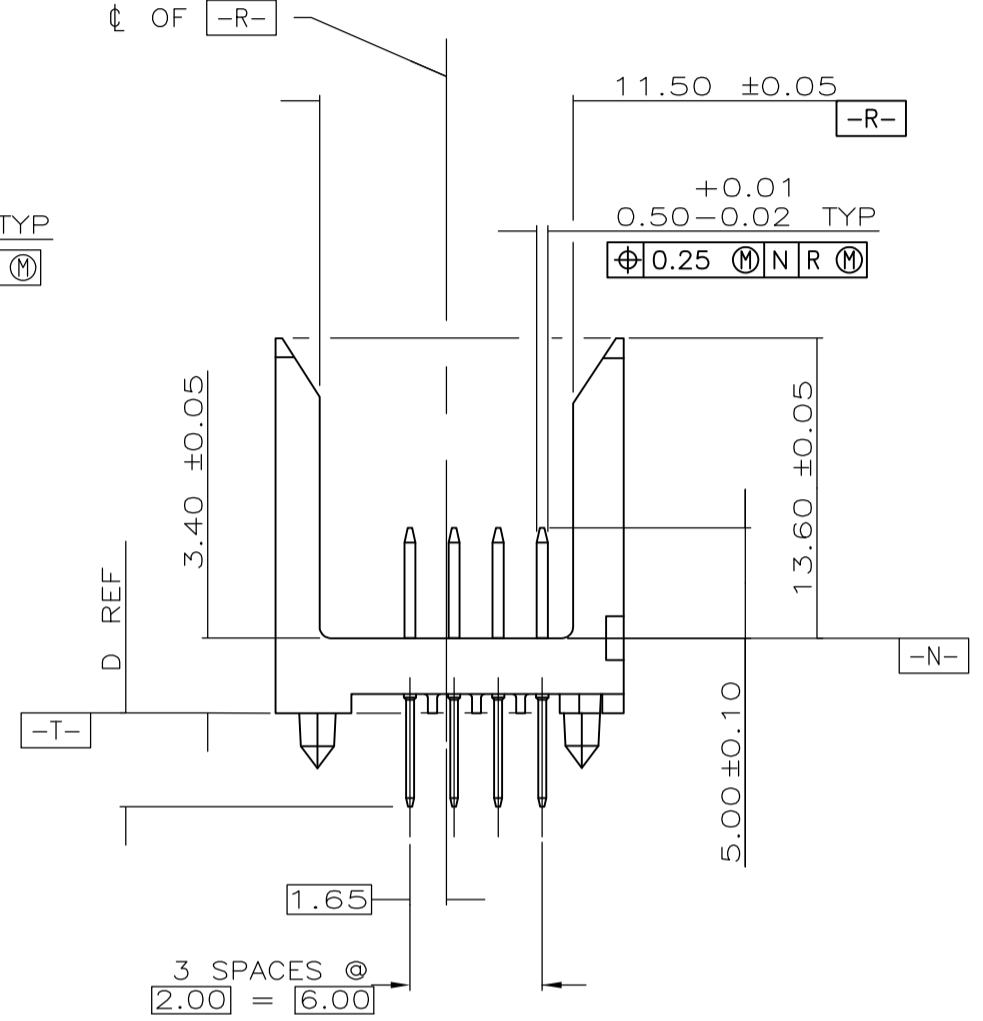
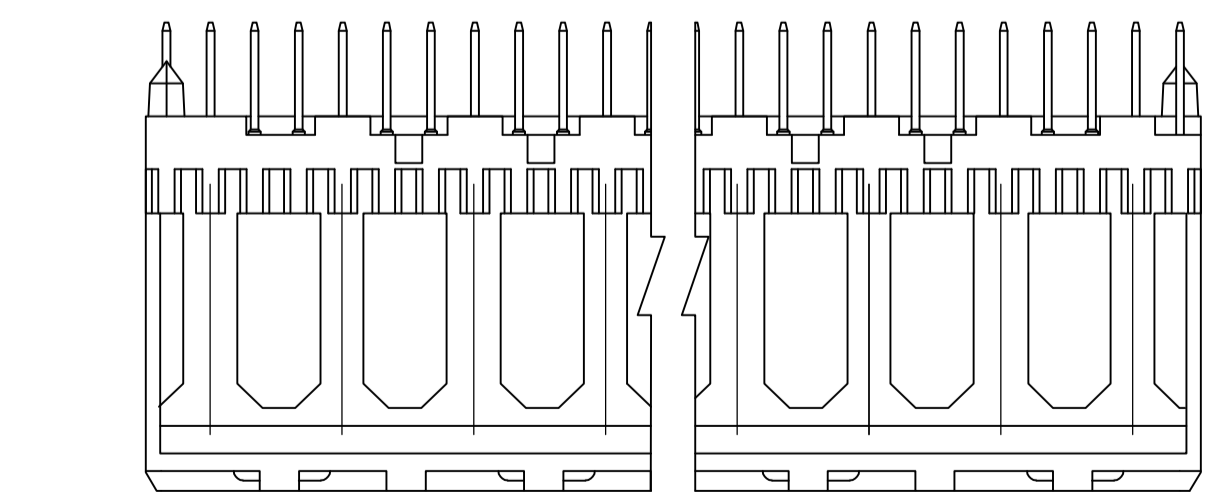
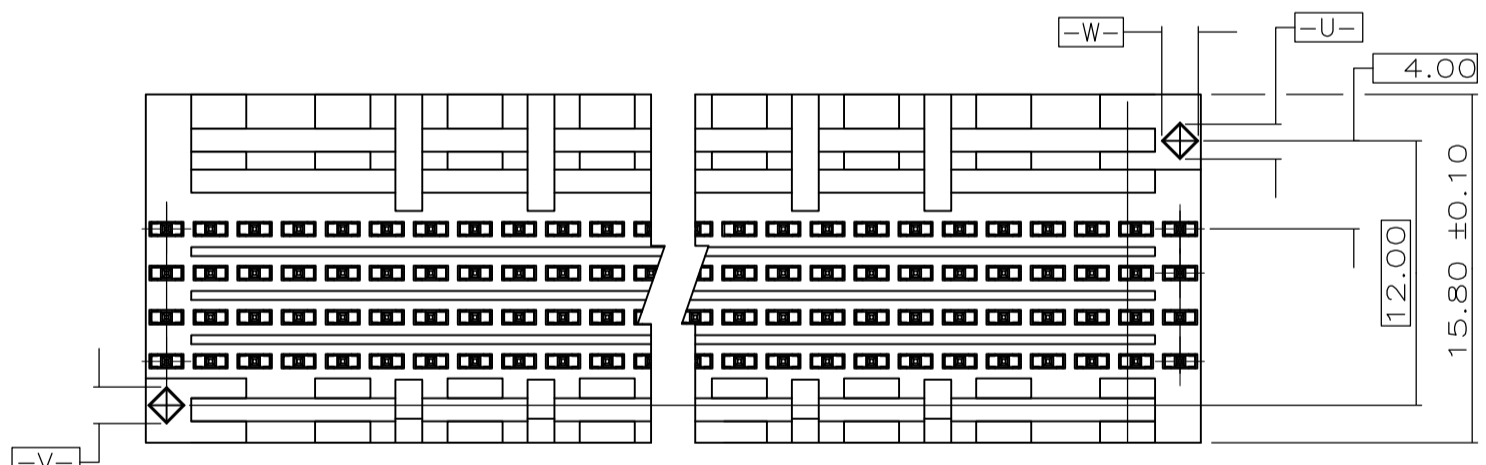
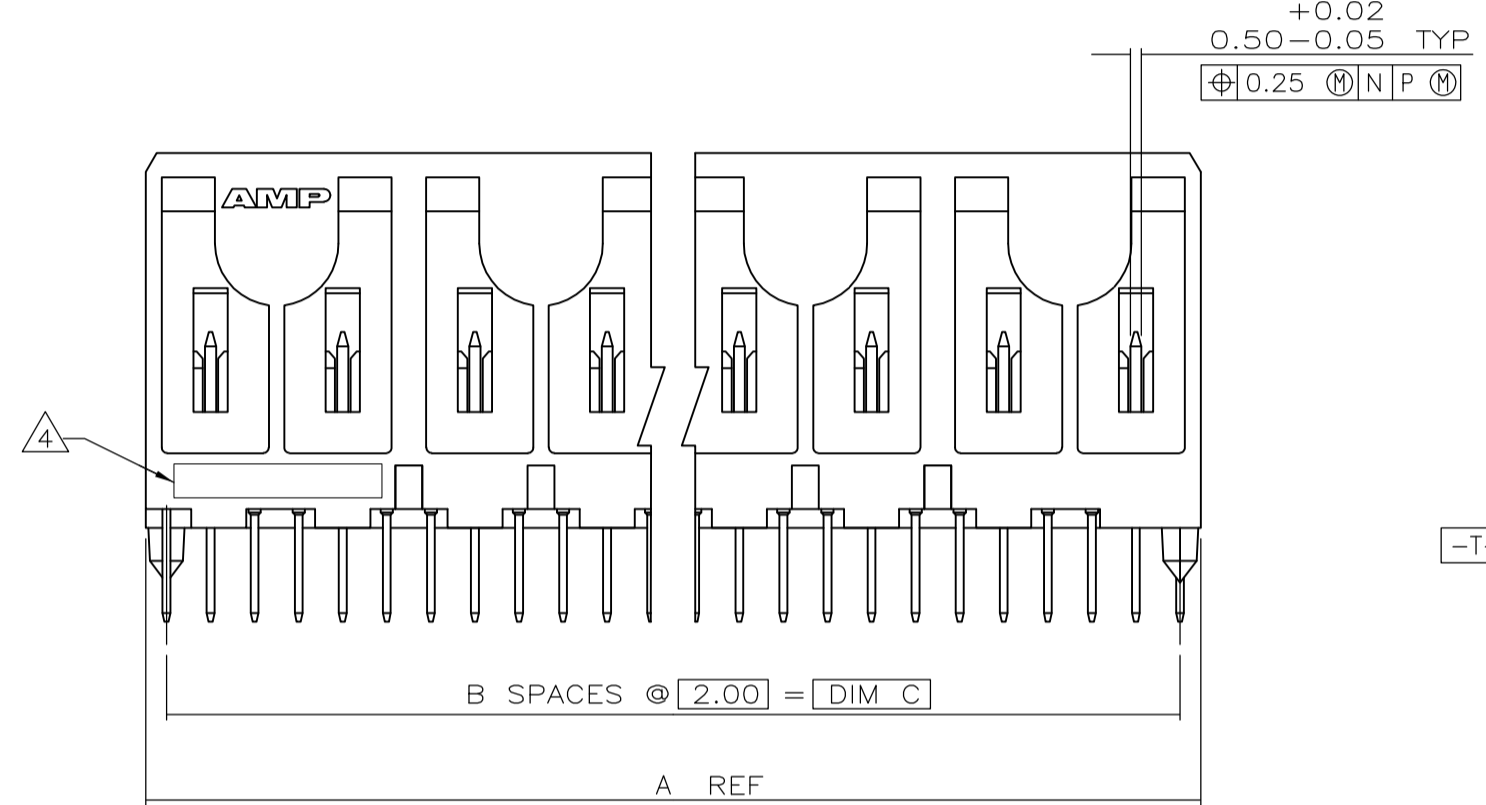
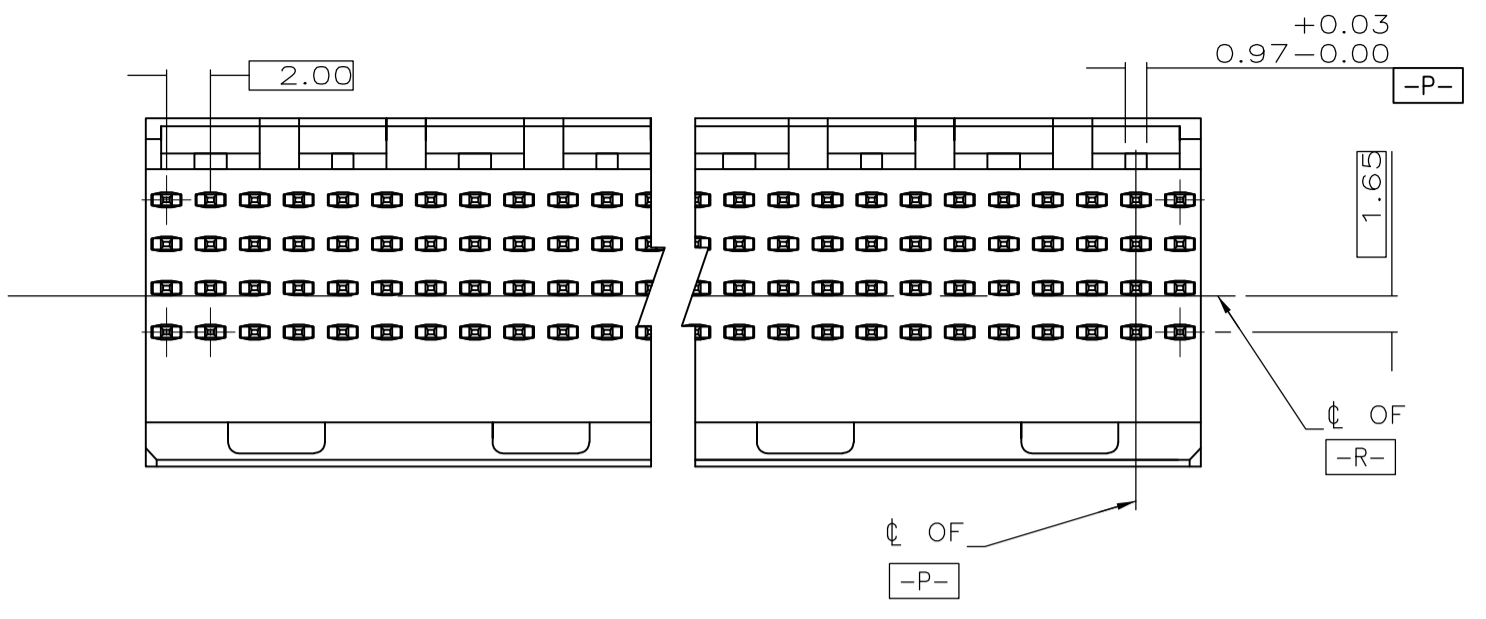


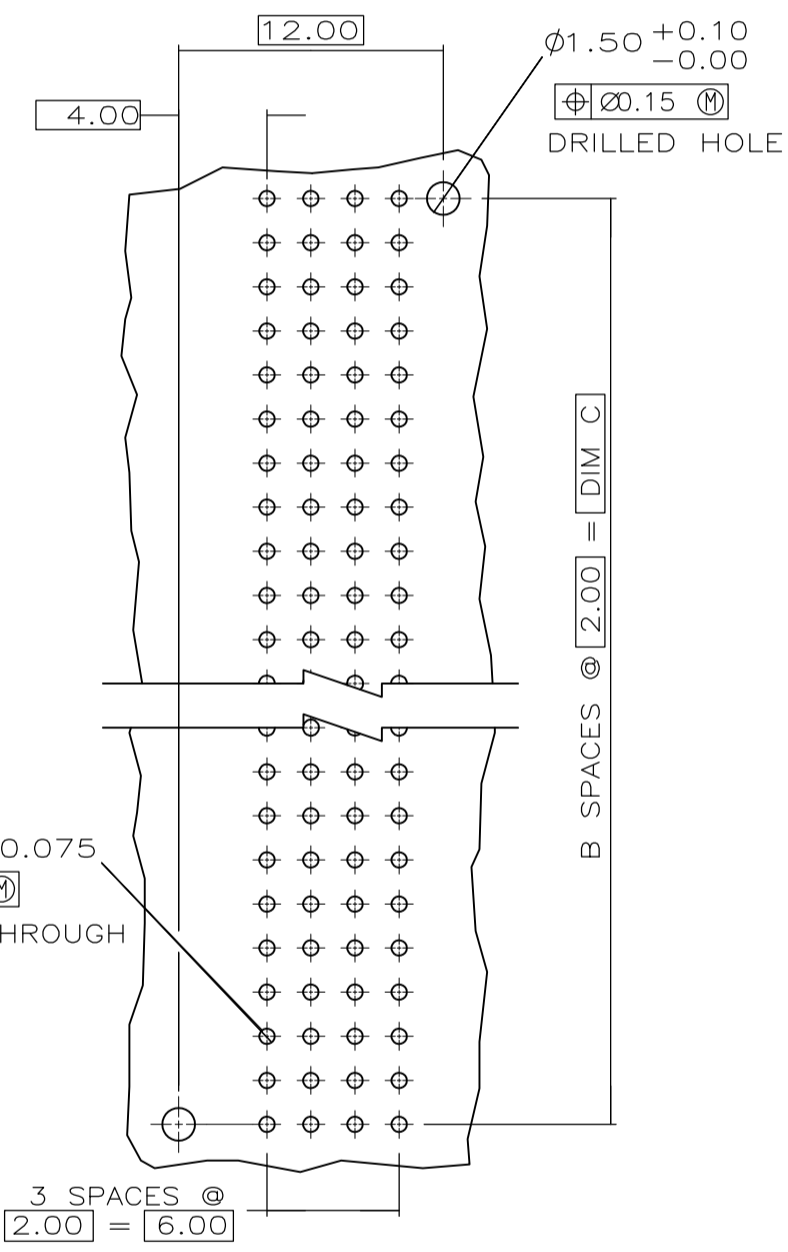
THIS DRAWING IS UNPUBLISHED. RELEASED FOR PUBLICATION  
 © COPYRIGHT BY TYCO ELECTRONICS CORPORATION. ALL INTERNATIONAL RIGHTS RESERVED.

LOC		DIST		REVISIONS			
P	LTR	DESCRIPTION	DATE	DWN	APVD		
AD	47	M1	REVISED PER ECO-08-019086	05DEC08	DH	AS	



DETAIL Z  
SCALE 20:1

- 1 HOUSING MATERIAL: LIQUID CRYSTAL POLYMER PER ASTM D5138 LCPO00 G30A 32250.
- 2 CONTACT MATERIAL: PHOSPHOR BRONZE.
- 3 CONTACT FINISH:  
 UNDERPLATE (ENTIRE CONTACT):  
 0.00127 MIN NICKEL.  
 ON MATING SURFACES:  
 CONFORMS TO ALL TESTING SPECIFIED FOR TELCORDIA  
 UNCONTROLLED ENVIRONMENT.  
 ON LEADS  
 0.00381 MIN TIN-LEAD OVER UNDERPLATE.  
 LUBRICATION (ENTIRE CONTACT):  
 SURFACE CONDITIONER PER AMP SPEC 112-1002 AFTER PLATING.
- 4 PART MARKING PER AMP INCORPORATED SPECIFICATION 115-9009, LOCATED APPROXIMATELY AS SHOWN.



RECOMMENDED CIRCUIT PATTERN  
 PER IPC-D300 TYPE II, CLASS C  
 (COMPONENT SIDE)

4.25	70.00	35	71.88	3	144	536513-5
4.25	94.00	47	95.88	3	192	536513-4
4.25	46.00	23	47.88	3	96	536513-3
4.25	22.00	11	23.88	3	48	536513-2
4.25	10.00	5	11.88	3	24	536513-1
D	C	B	A	FINISH	NO OF POSN	NUMBER

THIS DRAWING IS A CONTROLLED DOCUMENT.

DWN	D.R.BENDER	04/01/93
CHK	S.HEADER	04/05/93
APVD	D.BAFCHTLE	04/02/93

Tyco Electronics Corporation  
 Harrisburg, PA 17105-3608

NAME: PIN ASSEMBLY, SIGNAL MODULE, Z-PACK 2mm FB  
 2mm

SIZE	CAGE CODE	DRAWING NO	RESTRICTED TO
A2	00779	C=536513	-

SCALE: 4:1 SHEET: 1 of 1 REV: M1