

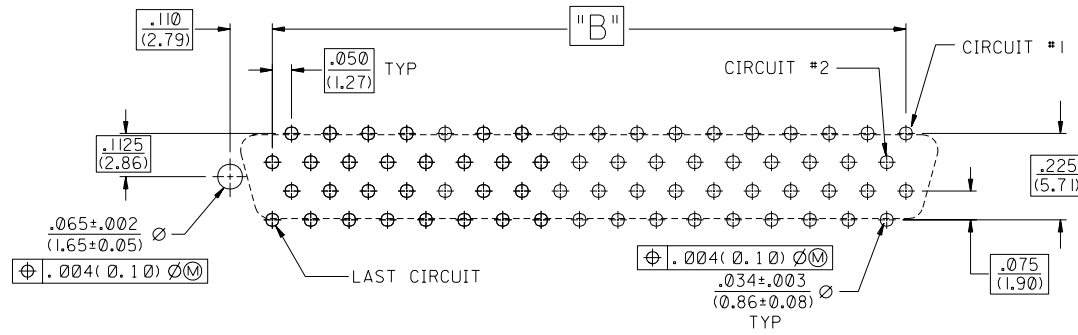
73631-30** SERIES

GENERAL NOTES:

- SEE SHEET 2 FOR ITEM NO'S, CHARTED DIMENSIONS, PACKAGING, MATERIAL SPEC'S AND P.C. BOARD LAYOUT FOR SERIES 73631-30**.
- TAIL PATTERN FIXED AT CIRCUIT NO. (1) POSITION FOR ALL CIRCUIT SIZES LISTED IN CHARTS FOR ALL SERIES.
- FOR SERIES 73631-31** REFER TO SHEETS 3 AND 4.

OBSOLETE PART # G	REV	DESCRIPTION	QUALITY SYMBOLS	GENERAL TOLERANCES: (UNLESS SPECIFIED)	SCALE	DESIGN UNITS	THIRD ANGLE PROJECTION	DIMENSIONS: <input type="checkbox"/> mm <input checked="" type="checkbox"/> INCH <input type="checkbox"/> mm ONLY	SHT	REV
					4 : 1	<input type="checkbox"/> mm <input checked="" type="checkbox"/> INCH			4	G
EC NO. UCP2005-0311		DRAWN BY & DATE		DRAWN BY & DATE		TITLE:		SALES ASSEMBLY SCSI		
DRW: BSMART 04/08/06		CHECKED BY & DATE		CHECKED BY & DATE		MOLEX INCORPORATED		VERTICAL RECEPTACLE		
CHK: BBARKER 04/08/06		APPROVED BY & DATE		APPROVED BY & DATE		MATERIAL NO.		DRAWING NO.		
APPR: SMILLER 04/08/06		BRINKMAN 96/11/15		BRINKMAN 96/11/15		SEE SH'T 2		SD-73631-006		
CAD FILENAME		S7363131.DGN		DRAWING NO.		SD-73631-006		SHEET NO.		
DRAFT WHERE APPLICABLE MUST REMAIN WITHIN DIMENSIONS		THIS DRAWING CONTAINS INFORMATION THAT IS PROPRIETARY TO MOLEX INCORPORATED AND SHOULD NOT BE USED WITHOUT WRITTEN PERMISSION.		SIZE		C		1 OF 4		

MATERIAL NO.	CIRCUIT SIZE	DIM. A		DIM. B		DIM. D		DIM. P		RECOMMENDED PCB	
		INCH	MM	INCH	MM	INCH	MM	INCH	MM	INCH	MM
73631-3002	68	2.115	53.72	1.650	41.91	1.816	46.13	.125	3.18	.062 OR .093	1.57 OR 2.36
73631-3022	68	2.115	53.72	1.650	41.91	1.816	46.13	.125	3.18	.062 OR .093	1.57 OR 2.36



TYPE I 68 CIRCUIT PC BOARD LAYOUT
CONNECTOR SIDE

NOTES:

- MATERIAL:**
RECEPTACLE HOUSING: GLASS FILLED LIQUID CRYSTAL POLYMER;
COLOR: BLACK; UL 94V-0
TERMINALS: PHOSPHOR BRONZE
- FINISH:**
TERMINALS: SEE LIST BELOW
- REFER TO PS-79058 PRODUCT SPEC. FOR ELECTRICAL, MECHANICAL AND ENVIRONMENTAL SPECIFICATIONS.**
- PACKAGING:**
PARTS PACKAGED IN TUBES PER PK-70873-0427.

TERMINAL FINISH:

SELECTIVE GOLD: THICKNESS= 30 MICROINCHES/(0.76 MICROMETERS) MINIMUM.
SELECTIVE TIN: THICKNESS= 75 MICROINCHES/(1.90 MICROMETERS) MINIMUM.
NICKEL UNDERPLATE OVERALL.

NOTE FOR LEAD FREE CONVERSION:
THE PRIMARY SHIPPING CARTON WILL BE LABELED "COMPLIANT TO ROHS DIRECTIVE 2002/95/EC AND ELV ANNEX II OF DIRECTIVE 2000/53/EC". CARTONS WITHOUT THIS LABEL MAY CONTAIN PRODUCT WITH LEAD.

73631-30** SERIES

OBSOLETE PART # EC No. UCP2005-0311 DRAWN: BSMART 04/08/06 CHK: BBARKER 04/08/06 APPR: SWILLER 04/08/06	DESCRIPTION REV	QUALITY SYMBOLS	GENERAL TOLERANCES: (UNLESS SPECIFIED)	SCALE 4:1	DESIGN UNITS <input type="checkbox"/> mm <input checked="" type="checkbox"/> INCH	DIMENSIONS: <input type="checkbox"/> mm <input checked="" type="checkbox"/> INCH <input type="checkbox"/> mm ONLY	SHT	REV
		MAJOR =0	4 PLACES ±0. ±.	DRAWN BY & DATE <i>J. Long</i> 96/11/13	TITLE: SALES ASSEMBLY SC5I VERTICAL RECEPTACLE W/LATCHES & POLZTN PEG			
		CRITICAL /C=0	3 PLACES ±0. ±.005	CHECKED BY & DATE <i>J. Long</i> 96/11/14	MATERIAL NO. SEE CHART			
			2 PLACES ±0.13 ±.	APPROVED BY & DATE BRINKMAN 96/11/15	DRAWING NO. SD-73631-006			
		1 PLACE ±0. ±.	ANGULAR: ± 1/2°	CAD FILENAME S7363132 .DGN	MATERIAL NO. SEE CHART		SHEET NO. 2	SIZE C
DRAFT WHERE APPLICABLE MUST REMAIN WITHIN DIMENSIONS			THIS DRAWING CONTAINS INFORMATION THAT IS PROPRIETARY TO MOLEX INCORPORATED AND SHOULD NOT BE USED WITHOUT WRITTEN PERMISSION.					