

5

4

3

2

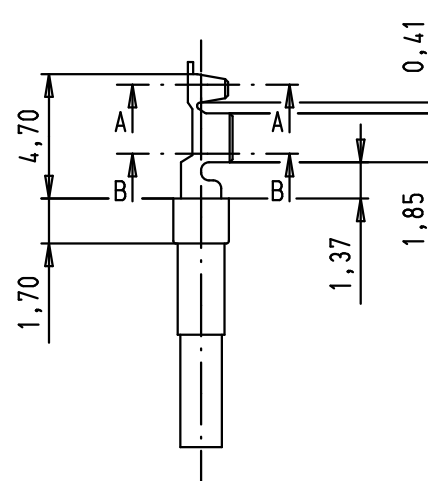
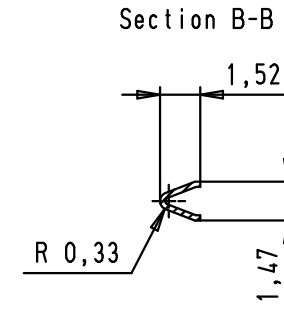
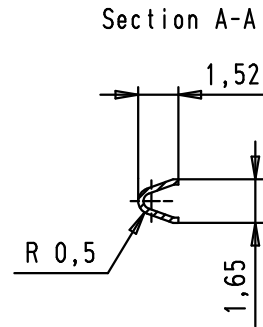
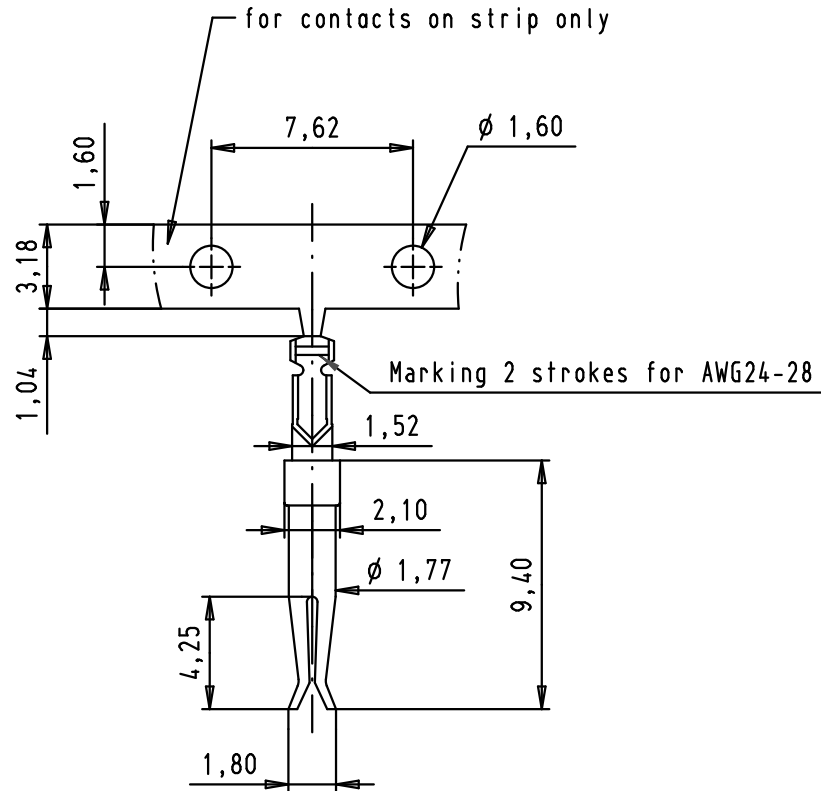
1

D

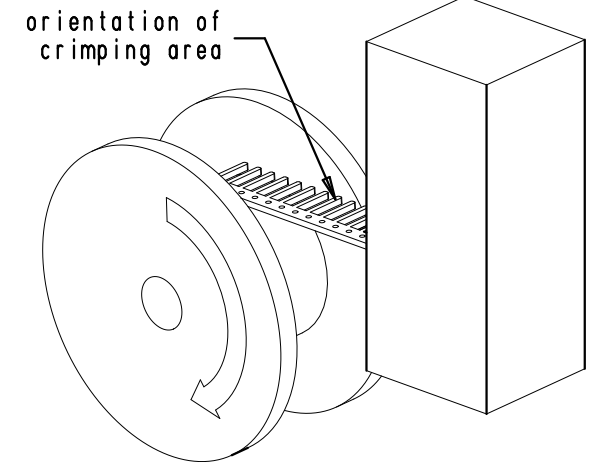
C

B

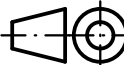

A



Reel unrolling left reversed



Base material: brass
 Plating: sliding contact selective gold plated over nickel
 nickel plated crimp area
 Number of contacts per reel: 10000

			Dat.		Name	
			Detail.	24/03/03	PP	 All Dim. in mm Orig. Size DIN A 4
36288	13/01/12	SD	Insp.	13/01/12	JB	
33986	24/04/07	PK	Stand.			
33242	17/10/05	JMDR				
31476	24/03/03	PP	HARTING EURL F-95972 Paris			
Mod.	Dat.	Name				

D-Sub, stamped female AWG 24-28 crimp contact, reel unrolling left reversed		Maßstab/ Scale 3,5:1
TB 09 67 000 724X		Blatt/ Page 1 / 1
Sub.		

09 67 000 7248	PL2
09 67 000 7247	PL3
09 67 000 7246	PL1
Part number	Performance level