

DLP100-24-1 SPECIFICATIONS

CA734-01-01/2-B

This specifications sheet also apply to option model /EJ

ITEMS		MODEL	DLP100-24-1	
1	Nominal Output Voltage	V	24	
2	Maximum Output Current	A	4.1	
3	Maximum Output Power	W	98.4	
4	Efficiency (100/230VAC) (Typ) (* 1)	%	83	
5	Input Voltage Range (* 2)	-	85~132/170~265VAC (Auto selectable) / 47~63Hz	
6	Input Current (100/230VAC) (Typ) (* 1)	A	2.5/1.1	
7	Inrush Current (100/230VAC) (Typ) (* 3)	-	20A at 100VAC, 45A at 230VAC, Ta=25°C, Cold Start	
8	PFHC	-	Built to meet IEC61000-3-2	
9	Output Voltage Range	V	21.6~28	
10	Maximum Ripple & Noise (* 4)	0≤Ta≤60°C	mV	240
		-10≤Ta<0°C	mV	360
11	Maximum Line Regulation (* 4, 5)	mV	120	
12	Maximum Load Regulation (* 4, 6)	mV	192	
13	Temperature Coefficient	-	Less than 0.05%/°C	
14	Over Current Protection (* 7)	A	4.3~	
15	Over Voltage Protection (* 8)	V	30.0~35.0	
16	Hold-Up Time (100/230VAC) (* 1)	-	20ms /30ms	
17	Leakage current (* 9)	-	Less than 0.75mA	
18	Parallel Operation	-	-	
19	Series Operation	-	Possible	
20	Operating Temperature (* 10)	-	- 10 ~ + 60 °C Convection: -10 ~ +50°C ( 100% ); 60°C ( 70% )	
21	Operating Humidity	-	30 ~ 90 %RH (No dewdrop)	
22	Storage Temperature	-	- 30 ~ +85°C	
23	Storage Humidity	-	10 ~ 95%RH (No dewdrop)	
24	Cooling	-	Convection cooling	
25	Withstand Voltage	-	Input - Output : 3.0kVAC, Input - FG : 2.0kVAC (20mA) for 1min Output - FG : 500VAC (100mA) for 1min.	
26	Isolation Resistance	-	More than 100MΩ at Ta=25°C and 70%RH, Output - FG : 500VDC	
27	Vibration	-	At no operating and with DIN RAIL, 10~55Hz (Sweep for 1min) 9.8m/s <sup>2</sup> Constant, X, Y, Z each 1hour	
28	Shock (In package)	-	Less than 196m/s <sup>2</sup>	
29	Safety	-	Approved by UL60950, CSA60950, EN60950, UL508, CSA C22.2 No.14, EN50178 CATEGORY III(Primary). Built to meet DENAN. Class 2 power supply approved by UL508&NFPA725.41	
30	EMI	-	Built to meet VCCI-B, FCC-ClassB, EN55011/EN55022-B	
31	Immunity	-	Built to meet IEC61000-6-2 (IEC61000-4-2,-3,-4,-5,-6,-8,-11)	
32	Weight (Typ)	g	540	
33	Size ( W.H.D.)	mm	60x97x110 (Refer to Outline Drawing)	

\* Read instruction manual carefully , before using the power supply unit.

= NOTES=

- \* 1 : At 100/230VAC and maximum output power, Ta = 25°C.
- \* 2 : For cases where conformance to various safety specs ( UL, CSA, EN ) are required, to be described as 100-120VAC/200-240VAC, 50 / 60Hz on name plate.
- \* 3 : Not applicable for the in-rush current to Noise Filter for less than 0.2ms.
- \* 4 : Please refer to Fig A for measurement of line & load regulation and output ripple voltage. (Measure with JEITA RC-9131 probe)
- \* 5 : 85-132VAC/170-265VAC, constant load.
- \* 6 : No load - Full load(Maximum power), constant input voltage.
- \* 7 : Constant current limit with automatic recovery.  
Avoid to operate at overload or dead short for more than 30seconds.
- \* 8 : OVP circuit will shutdown output, manual reset. (Re Power on)
- \* 9 : Measured by each measuring method of UL, CSA, EN and DENAN (at 60Hz).
- \*10: At standard mounting method, Fig B.
  - Load(%) is percent of maximum output load ( Item2 and 3 ), do not exceed derating in both Maximum Output Current and Power.
  - For standard mounting, refer to derating curve (CA734-01-02/2\_)

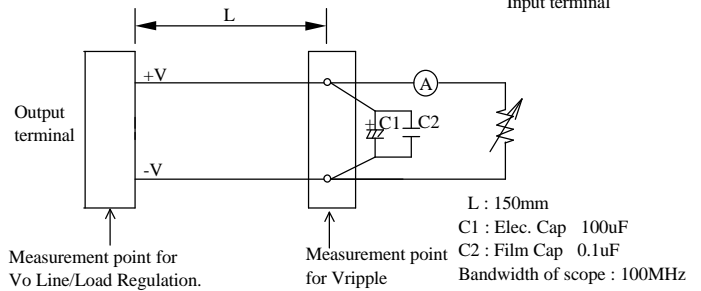
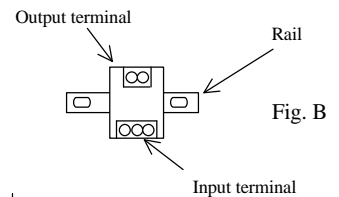


Fig. A

**DLP100-24-1 OUTPUT DERATING**

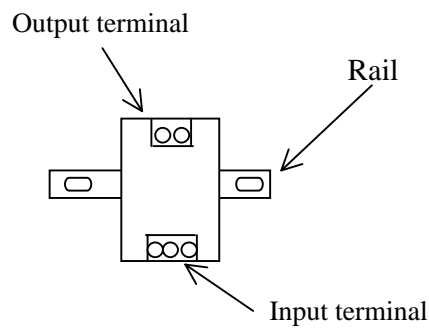
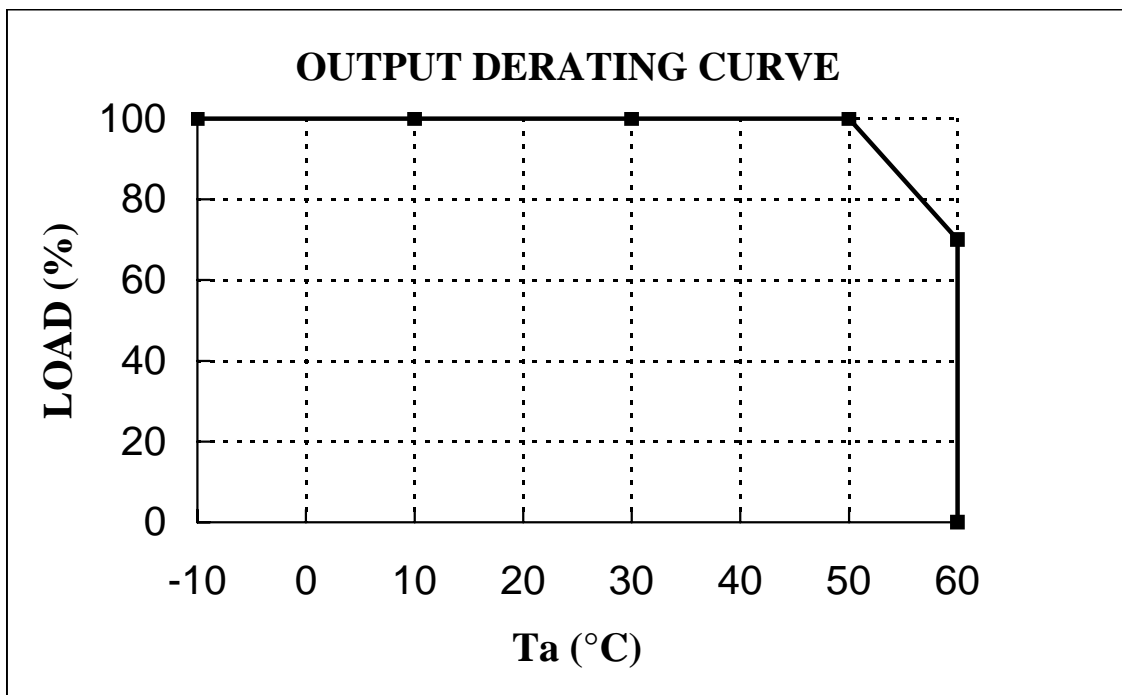
CA734-01-02/2

(This specifications sheet also apply to option model /EJ)

**DLP100-24-1**

\*COOLING: CONVECTION COOLING

Ta(°C)	LOADING CONDITION(%)
	Standard Mounting
-10~50	100
60	70



STANDARD MOUNTING