

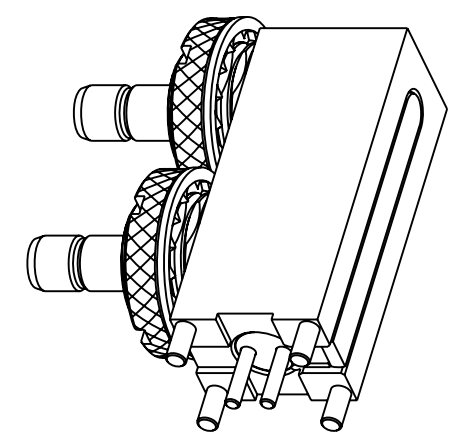
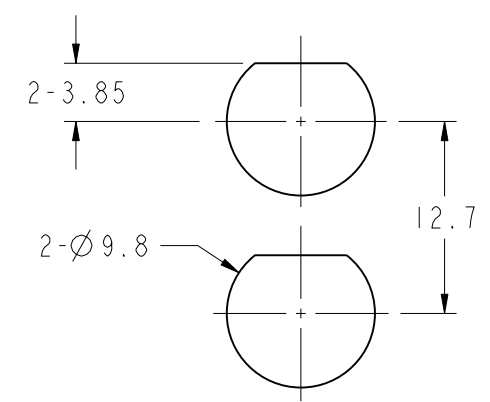
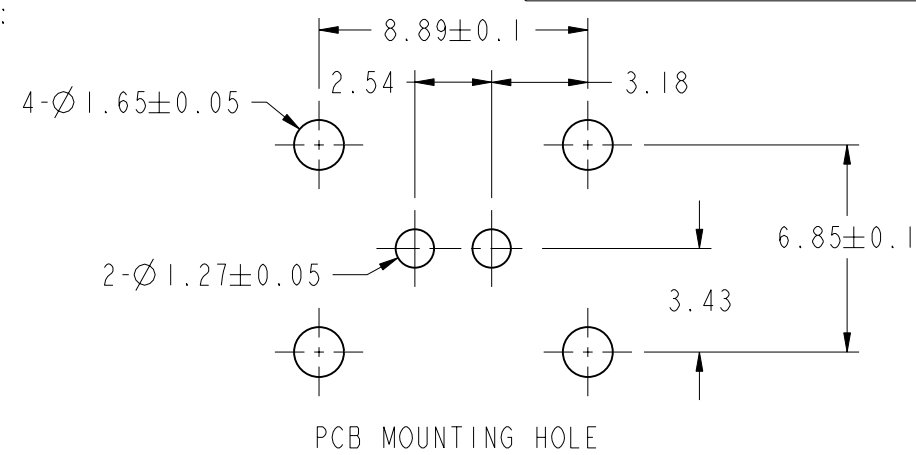
NOTES:

1. MATERIALS AND FINISHES(PLATING THICKNESS IN MICRO-INCHES):
 BODY - BRASS, GOLD PLATING
 HOUSING - BRASS,NICKEL PLATING
 CONTACT PIN- BRASS, GOLD PLATING
 INSULATOR - PTFE, NATURAL
2. ELECTRICAL:
 A. IMPEDANCE: 75 OHM
 B. FREQUENCY RANGE: DC - 100 MHz
 C. DIELECTRIC WITHSTANDING VOLTAGE: 1000 VRMS, MIN.
3. MECHANICAL:
 A. DURABILITY: 500 CYCLES MIN.
 B. TEMPERATURE RANGE: -40° C TO +85° C

THIRD ANGLE PROJ.

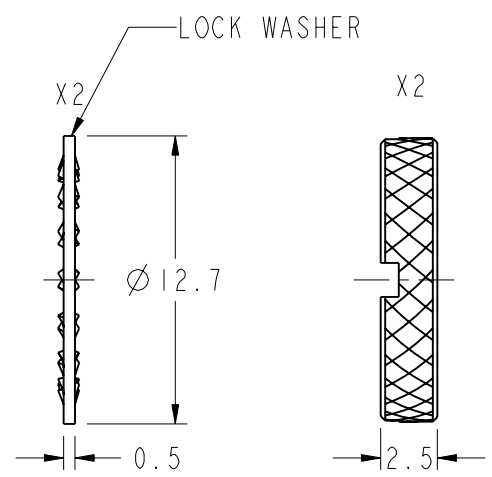
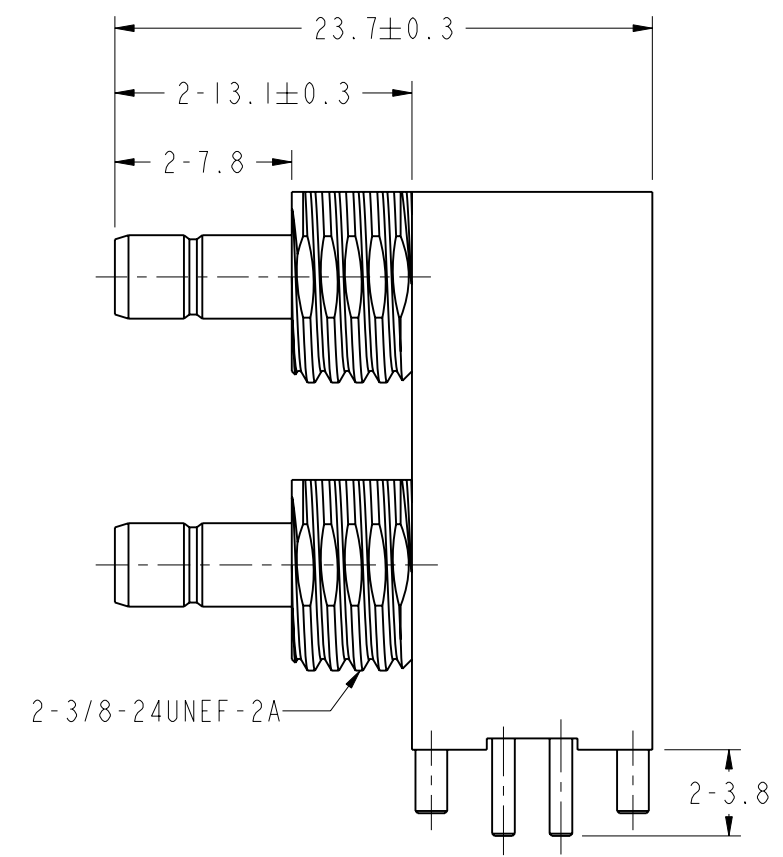
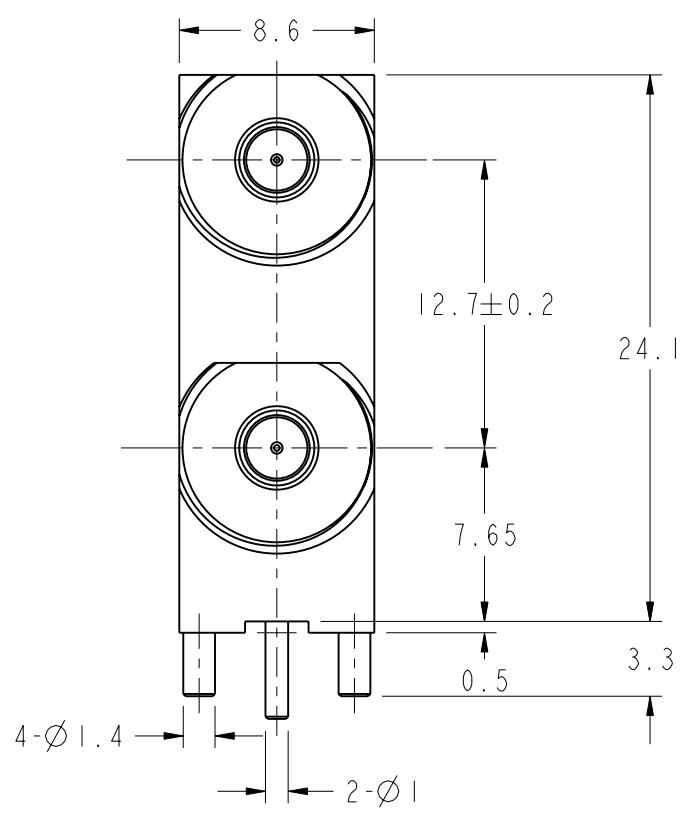
REVISIONS

REV	DESCRIPTION	DATE	ECO	APPR
A	RELEASE TO MFG.	10-Mar-11	---	MZ
B	STRUCTURE WAS CHANGED	18-May-11	---	S.H
C	LOCK WASHER WAS CHANGED	01-Jun-11	48547	IVAN
D	LOCK WASHER WAS CHANGED \RD-DM1121501F	30-Dec-11	48832	SH



RECOMMENDED MOUNTING HOLE

SCALE 2.000



CUSTOMER OUTLINE DRAWING

ALL OTHER SHEETS ARE FOR INTERNAL USE ONLY

UNLESS OTHERWISE SPECIFIED, DIMENSIONS ARE IN METRIC AND TOLERANCES ARE: < 0.5mm ± 0.05mm 0.5 - 6mm ± 0.1mm 6 - 30mm ± 0.2mm 30 - 120mm ± 0.3mm ANGLES ± 1° NOTICE - These drawings, specifications, or other data (1) are, and remain the property of Amphenol corp. (2) must be returned upon request; and (3) are confidential and not to be disclosed to any person other than those to whom they are given by Amphenol Corp. the furnishing of these drawings, specifications, or other data by Amphenol Corp., or to any other person to anyone for any purpose is not to be regarded by implication or otherwise in any manner licensing, granting rights to permitting such holder or any other person to manufacture, use or sell any product, process or design, patented or otherwise, that may in any way be related to or disclosed by said drawings, specifications, or other data.	MATERIAL	DRAWN I.XU	DATE 01-Jun-11	TITLE DUAL PORT MINI 75 OHM SMB R/A P.C.B. JACK	Amphenol RF Danbury CT USA, Tainan, Taiwan, Shenzhen, China www.amphenolrf.com
	REFERENCE EAR#4192	ENGINEER S.LI	DATE 10-Mar-11		
	FINISH	APPROVED S.HSIEH	DATE 01-Jun-11	ITEM NO. 122252AABAINP7F	
		CAD FILE I:\SMB\SMB2252MI-002-NX3GT30G-75	SCALE: 3.0:1.0	SHEET 2 OF 2	