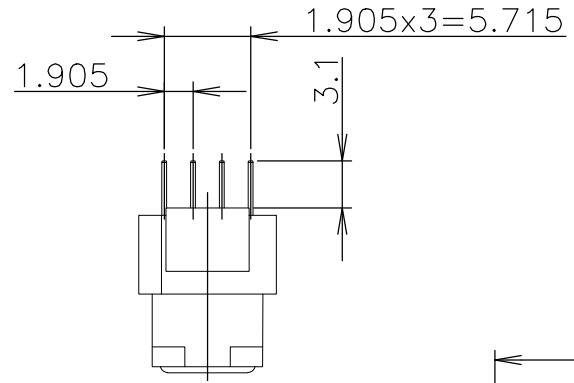
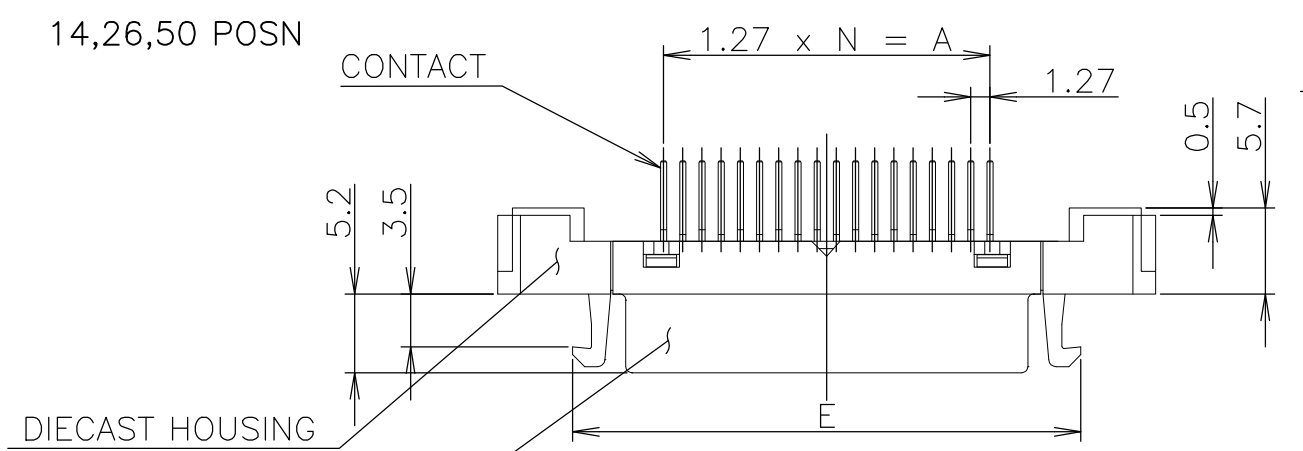
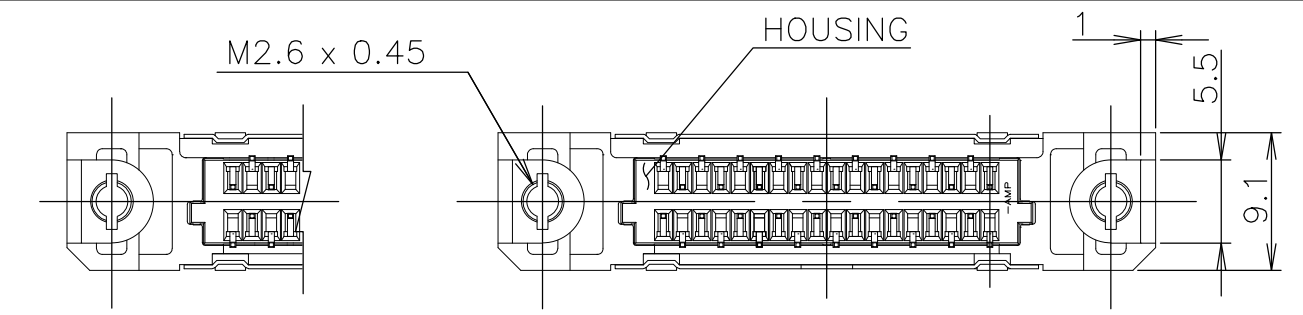
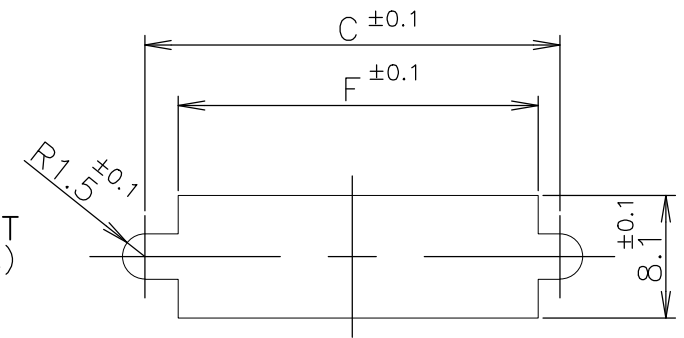
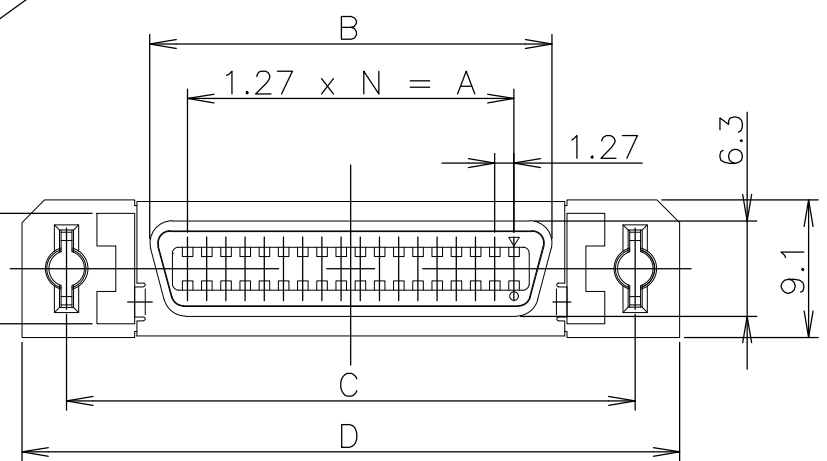


THIS DRAWING IS UNPUBLISHED. RELEASED FOR PUBLICATION .SEP 2004  
 © COPYRIGHT 2004 By - ALL RIGHTS RESERVED.

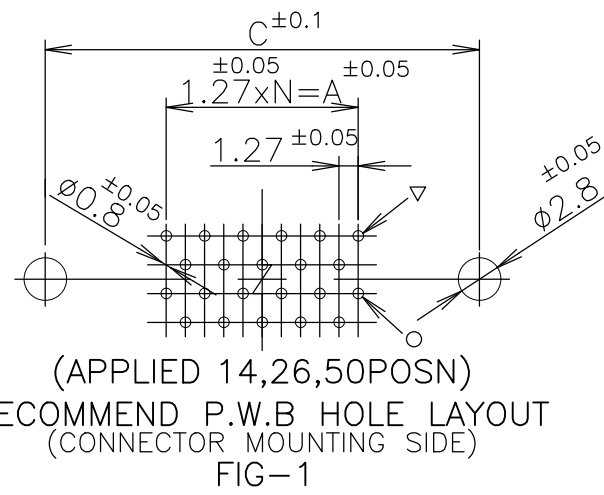
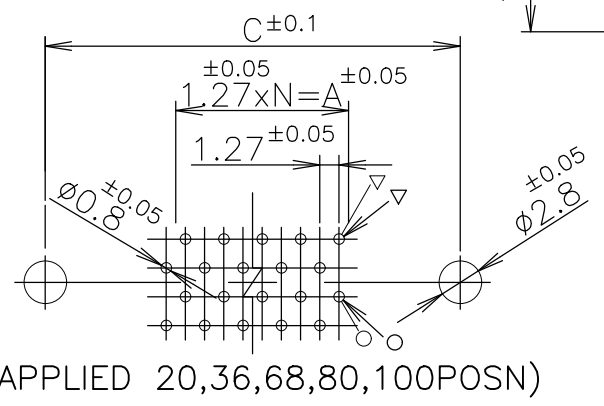
REVISIONS					
P	LTR	DESCRIPTION	DATE	DWN	APVD
	R	REVISED PER ECO-17-008763	23JAN2018	RG	SH



- 1 USED SCREW SIZE; M2.6 PANHEAD SCREW.
- 2 CONNECTOR TO BE MATED; 175677,517571
- △ MATERIAL AND FINISH;
  - \* CONTACT; PHOS-BRONZE  
FINISH: Au PLATING OVER Ni UNDER PLATING ON CONTACT AREA.  
TIN PLATING OVER Ni UNDER PLATING ON SOLDER TINE AREA.
  - \* METAL SHELL: STEEL  
FINISH: Ni PLATING OVER COPPER UNDER PLATING.
  - \* DIECAST HOUSING; ZINC  
FINISH: Ni PLATING OVER COPPER UNDER PLATING.
  - \* HOUSING; THERMOPLASTIC, UL94V-0, BLACK
- 4 RECOMMEND P.W.B THICKNESS; 1.6mm



PANEL CUTOUT (THK; 2mm MAX.) FIG-2



LEAD FREE

POSN	39	49	33	24	17	12	9	6	39	49	33	24	17	12	9	6	POSN	PART NO.	
0.00076	-39	61.90	61.55	71.45	65.55	54.53	49.53	80	3-5175887-0	49	74.60	74.25	84.15	78.25	67.23	62.23	100	2-5175887-9	
	33	54.20	53.93	63.83	57.93	46.91	41.91	68	2-5175887-8	24	42.80	42.50	52.40	46.50	35.48	30.48	50	2-5175887-7	
	24	42.80	42.50	52.40	46.50	35.48	30.48	50	2-5175887-7	17	33.90	33.61	43.51	37.61	26.59	21.59	36	2-5175887-5	
	17	33.90	33.61	43.51	37.61	26.59	21.59	36	2-5175887-5	12	27.60	27.26	37.16	31.26	20.24	15.24	26	2-5175887-4	
	12	27.60	27.26	37.16	31.26	20.24	15.24	26	2-5175887-4	9	23.80	23.45	33.35	27.45	16.43	11.43	20	2-5175887-2	
	9	23.80	23.45	33.35	27.45	16.43	11.43	20	2-5175887-2	6	19.90	19.64	29.54	23.64	12.62	7.62	14	2-5175887-1	
	6	19.90	19.64	29.54	23.64	12.62	7.62	14	2-5175887-1	0.0003	39	61.90	61.55	71.45	65.55	54.53	49.53	80	1-5175887-0
	39	61.90	61.55	71.45	65.55	54.53	49.53	80	1-5175887-0	49	74.60	74.25	84.15	78.25	67.23	62.23	100	5175887-9	
	49	74.60	74.25	84.15	78.25	67.23	62.23	100	5175887-9	33	54.20	53.93	63.83	57.93	46.91	41.91	68	5175887-8	
	33	54.20	53.93	63.83	57.93	46.91	41.91	68	5175887-8	24	42.80	42.50	52.40	46.50	35.48	30.48	50	5175887-7	
	24	42.80	42.50	52.40	46.50	35.48	30.48	50	5175887-7	17	33.90	33.61	43.51	37.61	26.59	21.59	36	5175887-5	
	17	33.90	33.61	43.51	37.61	26.59	21.59	36	5175887-5	12	27.60	27.26	37.16	31.26	20.24	15.24	26	5175887-4	
	12	27.60	27.26	37.16	31.26	20.24	15.24	26	5175887-4	9	23.80	23.45	33.35	27.45	16.43	11.43	20	5175887-2	
	9	23.80	23.45	33.35	27.45	16.43	11.43	20	5175887-2	6	19.90	19.64	29.54	23.64	12.62	7.62	14	5175887-1	
	6	19.90	19.64	29.54	23.64	12.62	7.62	14	5175887-1	AU PLATING	N	F	E	D	C	B	A	POSN	PART NO.

THIS DRAWING IS A CONTROLLED DOCUMENT.

DIMENSIONS: mm

TOLERANCES UNLESS OTHERWISE SPECIFIED:

0 PLC	± 0.2
1 PLC	± 0.2
2 PLC	± 0.2
3 PLC	± 0.2
4 PLC	± 0.2
ANGLES	± 3°

MATERIAL: SEE NOTE 3

FINISH: SEE NOTE 3

DWN: COREL WANG 01SEP04

CHK: STEVEN YAO 01SEP04

APVD: I. ENOMOTO 01SEP04

PRODUCT SPEC: 108-60043

APPLICATION SPEC:

NAME: REC HEADER ASSY, VERTICAL CHAMP .050 SERIES (II) STD-TYPE (M2.6)

SIZE: A3

CAGE CODE: 00779

DRAWING NO: C-5175887

RESTRICTED TO:

WEIGHT: 0.000000

CUSTOMER DRAWING

SCALE: 2:1

SHEET: 1 OF 1

REV: R