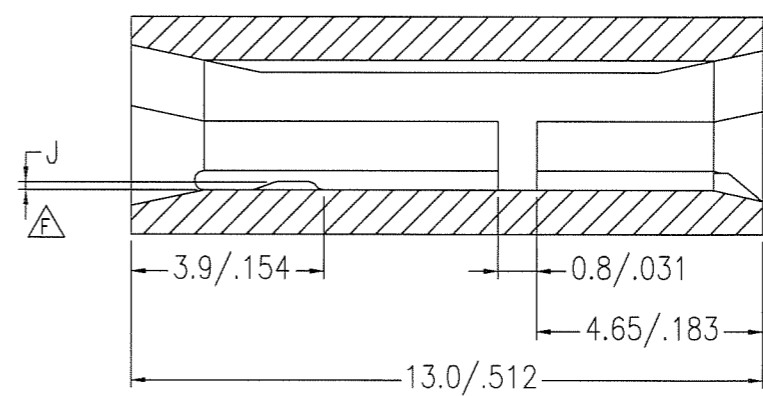
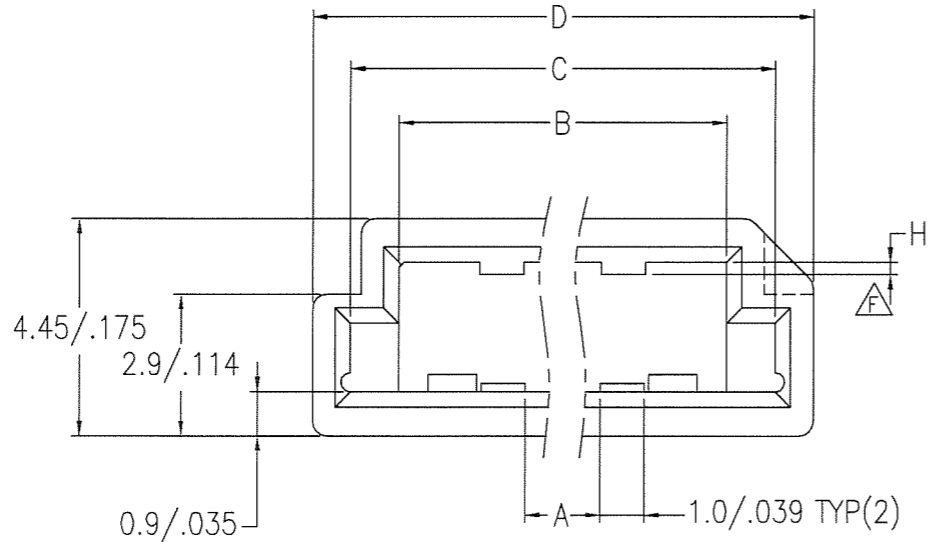
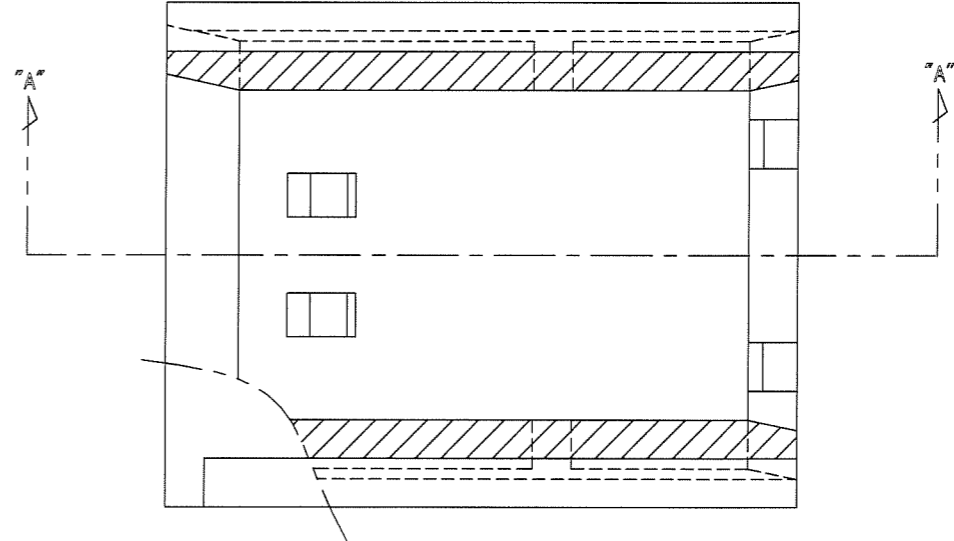
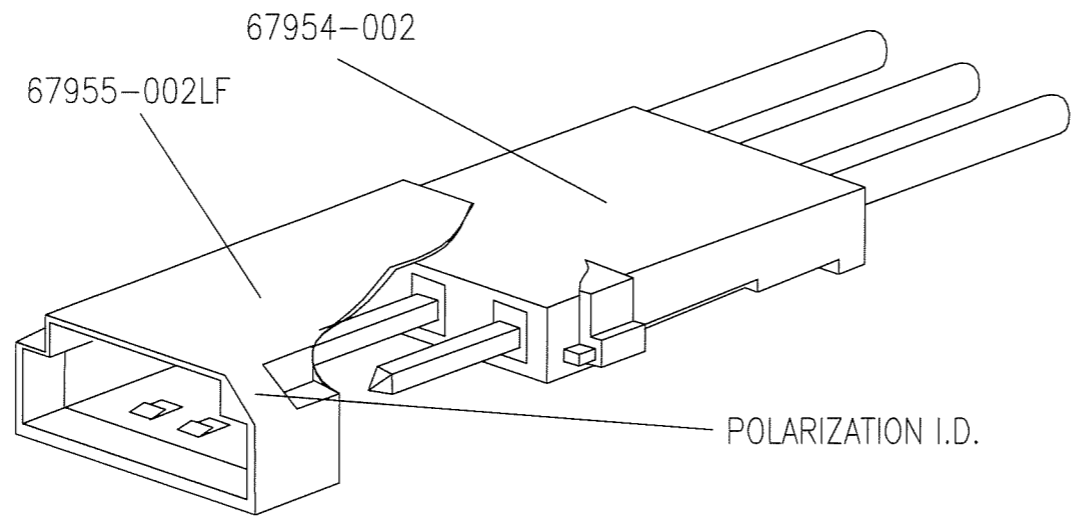


PRODUCT NO.	MATERIAL
67955-XXXLF	PLAIN NORIL, COLOR: BLACK, UL94V-1
67955-XXXHLF	Zytel: FR-50, COLOR: BLACK, UL94V-0



SECT "A" - "A"

FCI CONFIDENTIAL



mat'l. code		surface		tolerance		projection		product family		CODE	
---		iso 1302		iso 406		MM/INCH		5NGF - PV HOUSINGS		JP	
tolerances unless otherwise specified		angles		linear		scale		title			
D	REVISED	J05-0525	R.S	2005-8-19	0.X	±0.25	1:1	POLARIZED M/L HSG SHROUD			
E	REVISED	J06-0279	R.S	2006-7-25	0.XX	±0.25		dwg no		sheet 1 of 2	size
F	REVISED	J10-0121	S.W	2010-5-20	0.XXX	±0.25		67955		A3	5
sheet index		revision sheet		F C				type		Rev.	
1 1								PRODUCT CUSTOMER Drawing		F	

67955-003LF	4	5.08/.200	10.27/.404	12.27/.483	13.84/.545		
67955-003HLF							
67955-002LF	3	2.54/.100	7.73/.304	9.73/.383	11.3/.445	0.25/.010	0.17/.007
67955-002HLF							
67955-001LF							
67955-101HLF	2	0/.0	5.19/.204	7.19/.283	8.76/.345		
67955-001HLF						0.15/.006	0.1/.004
P/N	NO. of POS	A	B	C	D	H	J

NOTE.

- FIG.1 SHOWS 67955-002LF MATED WITH POLARIZED MINI LATCH HOUSING. 67954-002 LOADED WITH CTW MALE PIN.
- THIS PRODUCT MEETS EUROPEAN UNION DIRECTIVES AND OTHER COUNTRY REGULATIONS AS DESCRIBED IN GS-22-008.
- THIS PRODUCT IS NOT INTENDED TO BE EXPOSED TO A MANUFACTURING SOLDER PROCESS.

FCI CONFIDENTIAL



Copyright FCI

mat'l. code		surface		tolerance		projection		product family		CODE	
----		ISO 1302		ISO 406 ISO 1101				5NGF - PV HOUSINGS		JP	
litr		description		ecn no		dr		date		title	
A		RELEASED		J05-0525		R.S		2005-8-18		POLARIZED M/L HSG SHROUD	
B		REVISED		J06-0279		R.S		2006-7-25			
C		REVISED		J10-0121		S.W		2010-5-20			
										dwg no	
										sheet 2 of	
										size	
										A3	
										type	
										PRODUCT CUSTOMER Drawing	
sheet index		revision sheet								Rev. C	