

THIS DRAWING IS UNPUBLISHED. RELEASED FOR PUBLICATION. ALL RIGHTS RESERVED.

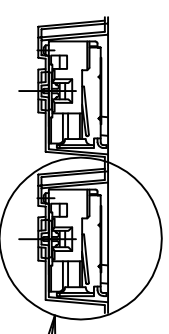
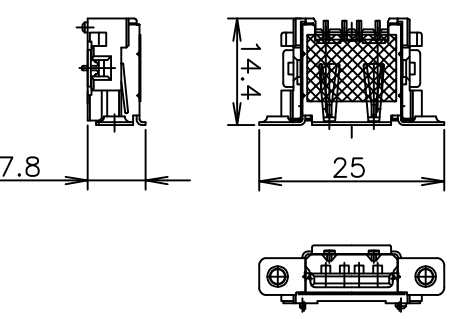
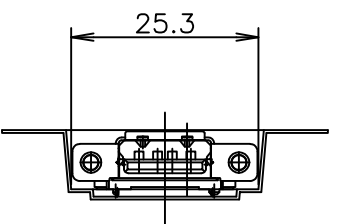
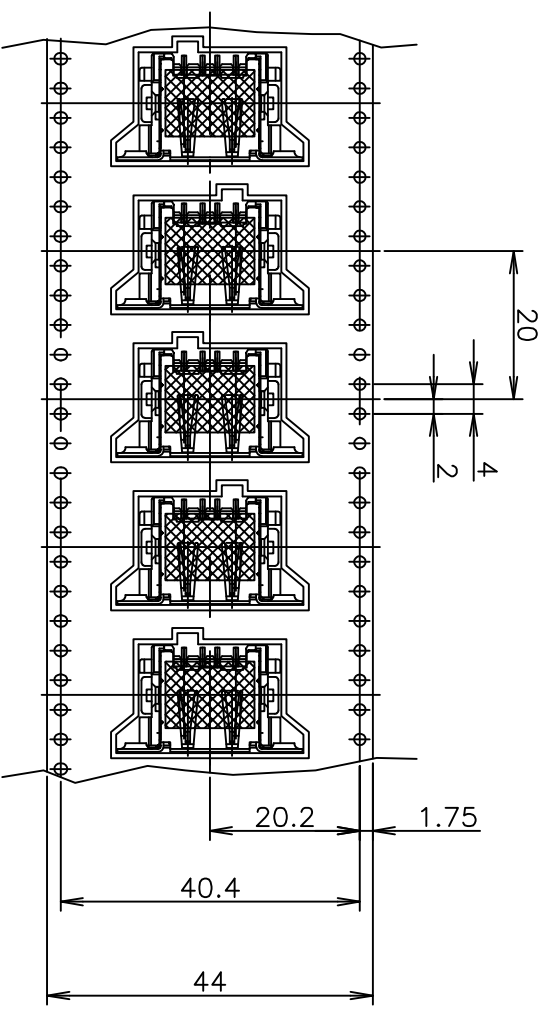
© COPYRIGHT BY TYCO ELECTRONICS CORPORATION.

Loc J DIST -

REVISIONS

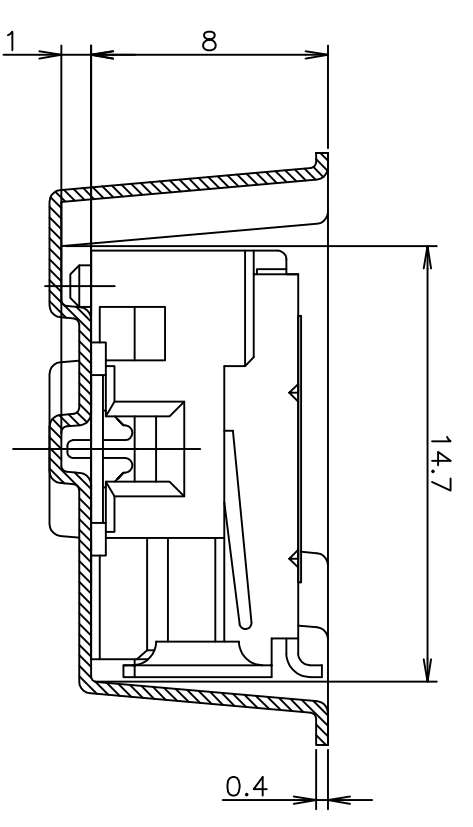
P	LTR	DESCRIPTION	DATE	DWN	APVD
A		RELEASED ECR-07-023898	09OCT07	T.Z	S.Y

DIRECTION OFF TOP OF REEL

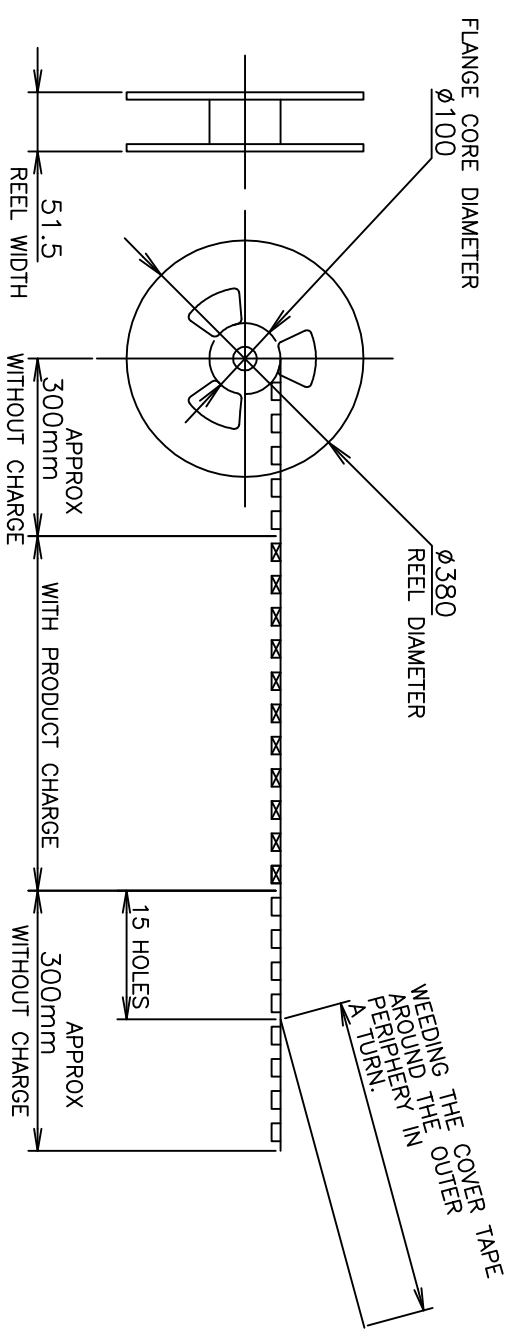


SEE DETAIL A

CONNECTOR DETAIL

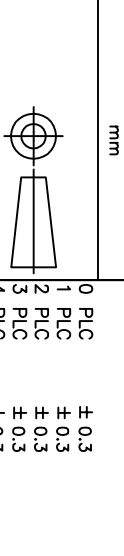


DETAIL A (SCALE 4:1)



THIS DRAWING IS A CONTROLLED DOCUMENT.

DIMENSIONS: mm



TOLERANCES UNLESS OTHERWISE SPECIFIED:

0	PLC	± 0.3
1	PLC	± 0.3
2	PLC	± 0.3
3	PLC	± 0.3
4	PLC ANGLES	± 0.3
		± 5°

DESCRIPTION	QTY	POS	EMBOSS P/N	PART NO.
BLACK	350	4	1-912070-8	5353928-2
WHITE	350	4	1-912070-8	5353928-1

DWN G. ZHANG 24MAR06
 CHK S. YAO 24MAR06
 APVD J. QU 24MAR06
 PRODUCT SPEC
 APPLICATION SPEC
 WEIGHT
 CUSTOMER DRAWING

NAME: Tyco Electronics
 Tyco Electronics AMP K.K.
 Kawasaki, Japan

EMBOSS ASSY
 REVERSE TYPE USB CONN. REC.
 WITH COVER TYPE

SIZE: A3
 CAGE CODE: 00779
 DRAWING NO: 5353928

SCALE: 1:1 SHEET: 1 OF 2 REV: A

