

**Ratings**

Temperature: 0 ~ 70 °C  
Voltage: 150 V

**Conductor**

Gauge: 24 AWG, 0.20 mm<sup>2</sup>  
Material: tinned copper strands  
Stranding:  $\varnothing 0.08 \times 41$   
Resistance at 20 °C: 95  $\Omega$ /km max

**Insulator**

Material: HDPE  
Color: black, white, red  
Outer diameter:  $\varnothing 1.05 \pm 0.10$  mm  
Nominal thickness: 0.20 mm  
Resistance at 20 °C: 1000 M $\Omega$ /km min

**Shield**

Type: spiral  
Material: tinned copper strands  
Strand size:  $\varnothing 0.08$  mm  
Coverage: 90 % minimum

**Outer jacket**

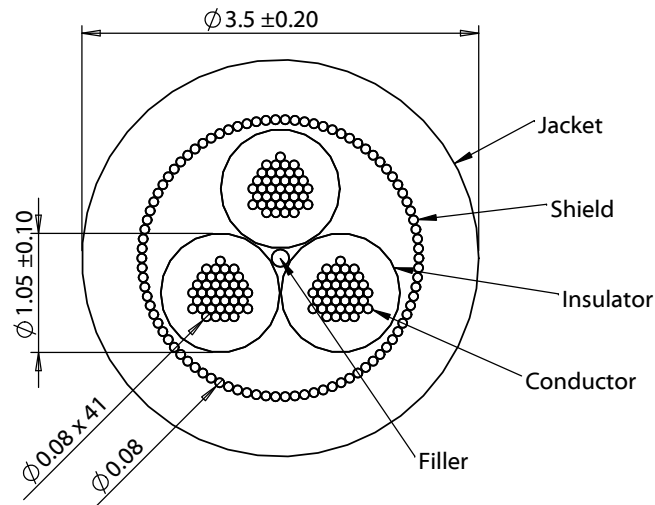
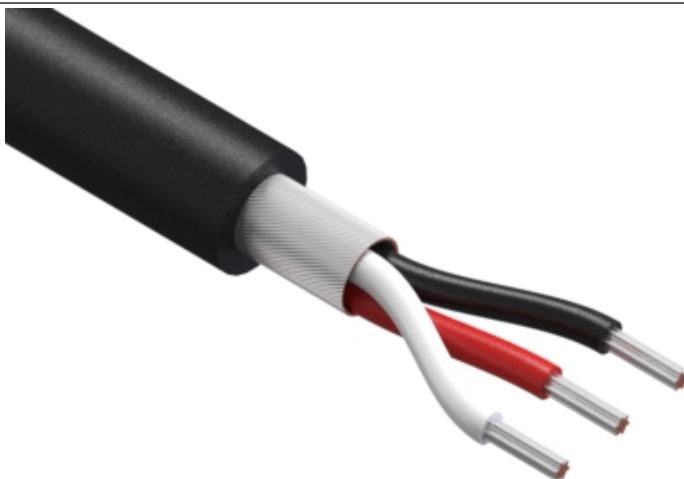
Material: TPU, 70 °C  
Color: black  
Nominal thickness: 0.50 mm  
Diameter:  $\varnothing 3.5 \pm 0.20$  mm

**Filler**

Material: kevlar

**Tests**

Tensile strength: 35.7 kgf  
Dielectric test: 1500 V dc for 1 minute without breakdown  
Bend test at 200 g,  $\pm 90^\circ$ , 30 cycles /min: 15,000 cycle minimum



REVISION	DATE	DESCRIPTION
A	9/29/2015	Initial release
A1	1/13/2016	Updated notes, corrected tolerances

PREPARED:  
  
VERIFIED:  
  
DIMENSIONS ARE IN MILLIMETERS  
  
TOLERANCES:  
X:  $\pm 0.5$  mm  
X.X:  $\pm 0.3$  mm  
X.XX:  $\pm 0.05$  mm

NOTES  
RoHS and REACH compliant  
Jacket meets ISO 10993 Biological Compatibility  
Phthalate and halogen free  
Function test: no open, no short, no intermittent  
  
DESCRIPTION:  
Wire, 3C TS, 24 AWG, 150V, 70C, 3.5 mm, spiral shield, TPU

**TENSILITY**  
20802 Sockeye Place #130  
Bend, OR 97701 USA  
tel 541.323.3228 fax 541.323.4202  
800 877.670.7118 www.tensility.com

SIZE	PART NUMBER
A	30-00497

SCALE: 1:1 SHEET 1 OF 1