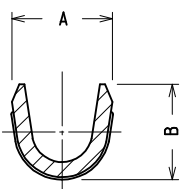
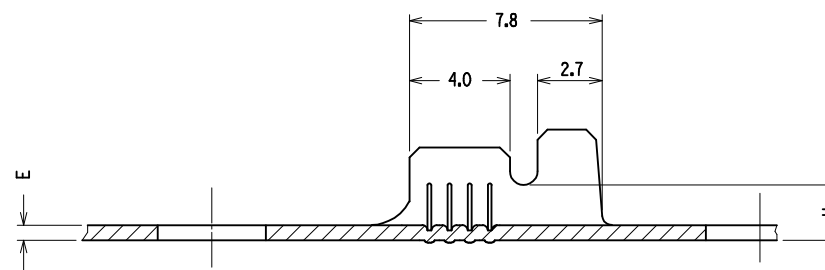
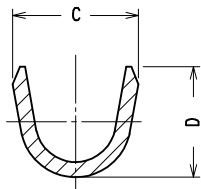


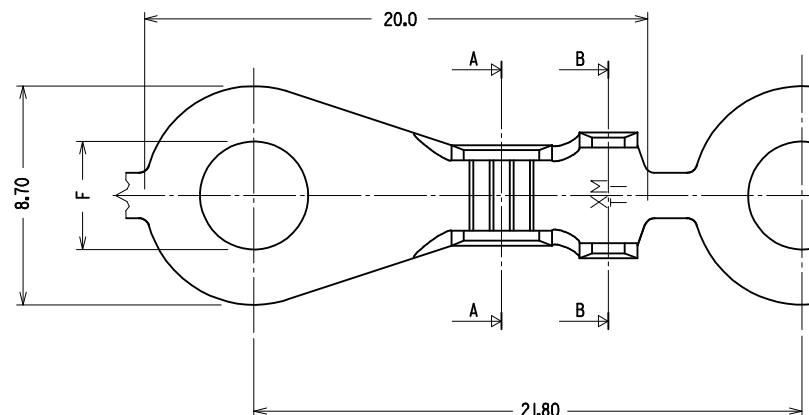
Sez. A - A



Sez. B - B



CODICE P/N	FINITURA PLATING	SEZ. RAME WIRE RANGE (mm <sup>2</sup> )	Ø ISOLANTE INS. RANGE (mm)	DIMENSIONI / DIMENSIONS (mm)								SPQ (pcs)
				A	B	C	D	E	F	H		
94511 - 1310	greggio/ <i>pln</i>	0.5 - 2.0	2.2 - 4.0	4.0	3.7	5.0	4.4	0.6	3.10	1.7	18.000	
94511 - 1311	stagnato/ <i>fln</i>											
94511 - 1410	greggio/ <i>pln</i>	0.5 - 2.0	2.2 - 4.0	4.0	3.7	5.0	4.4	0.6	4.30	1.7	18.000	
94511 - 1411	stagnato/ <i>fln</i>											
94511 - 1420	greggio/ <i>pln</i>	0.5 - 1.5	2.2 - 3.2	4.0	3.9	5.0	4.6	0.8	4.30	1.7	18.000	
94511 - 1421	stagnato/ <i>fln</i>											
94511 - 1510	greggio/ <i>pln</i>	0.5 - 2.0	2.2 - 4.0	4.0	3.7	5.0	4.4	0.5	5.20	1.7	15.000	
94511 - 1511	stagnato/ <i>fln</i>											
94511 - 1520	greggio/ <i>pln</i>	0.5 - 2.0	2.2 - 4.0	4.0	3.7	5.0	4.4	0.6	5.20	1.7	18.000	
94511 - 1521	stagnato/ <i>fln</i>											
94511 - 1610	greggio/ <i>pln</i>	0.5 - 2.0	2.2 - 4.0	4.0	3.7	5.0	4.4	0.6	6.30	1.7	18.000	
94511 - 1611	stagnato/ <i>fln</i>											
94511 - 2310	greggio/ <i>pln</i>	1.5 - 3.5	3.2 - 4.2	4.2	4.7	6.0	6.0	0.6	3.10	2.4	15.000	
94511 - 2311	stagnato/ <i>fln</i>											
94511 - 2410	greggio/ <i>pln</i>	1.5 - 3.5	3.2 - 4.2	4.2	4.7	6.0	6.0	0.6	4.30	2.4	15.000	
94511 - 2411	stagnato/ <i>fln</i>											
94511 - 2520	greggio/ <i>pln</i>	1.5 - 3.5	3.2 - 4.2	4.2	4.7	6.0	6.0	0.6	5.20	2.4	15.000	
94511 - 2521	stagnato/ <i>fln</i>											
94511 - 2610	greggio/ <i>pln</i>	1.5 - 3.5	3.2 - 4.2	4.2	4.7	6.0	6.0	0.6	6.30	2.4	15.000	
94511 - 2611	stagnato/ <i>fln</i>											



MATERIALE: OTTONE  
MATERIAL: BRASS

CONFEZIONE (SPQ) : 3 BOBINE poste in una SCATOLA di CARTONE.  
PACKAGING (SPQ) : 3 REELS inside a CARTON BOX.

Added SPQ & PKG notes EC NO: Z2015-0038 DRWN:L.SANTISS 2014/09/15 CHKD:L.SANTISS 2014/09/16 APPR:P.ZANGIROLAMI 2014/09/16	DESCRIPTION REV B2	QUALITY SYMBOLS	GENERAL TOLERANCES (UNLESS SPECIFIED)	DIMENSION STYLE MM ONLY	SCALE 5:1	DESIGN UNITS METRIC	FIRST ANGLE PROJECTION																															
		$\nabla_A = 0$ $\nabla_B = 0$ $\nabla_P = 0$	<table border="1"> <tr> <th></th> <th>mm</th> <th>INCH</th> </tr> <tr> <td>4 PLACES</td> <td>± ---</td> <td>± ---</td> </tr> <tr> <td>3 PLACES</td> <td>± ---</td> <td>± ---</td> </tr> <tr> <td>2 PLACES</td> <td>± 0.10</td> <td>± ---</td> </tr> <tr> <td>1 PLACE</td> <td>± 0.20</td> <td>± ---</td> </tr> <tr> <td>0 PLACE</td> <td>±</td> <td>±</td> </tr> </table>		mm	INCH	4 PLACES	± ---	± ---	3 PLACES	± ---	± ---	2 PLACES	± 0.10	± ---	1 PLACE	± 0.20	± ---	0 PLACE	±	±	<table border="1"> <tr> <th>DRAWN BY</th> <th>DATE</th> </tr> <tr> <td>FGOTTARDO</td> <td>1989/06/30</td> </tr> <tr> <th>CHECKED BY</th> <th>DATE</th> </tr> <tr> <td>MPREVIATO</td> <td>1989/06/30</td> </tr> <tr> <th>APPROVED BY</th> <th>DATE</th> </tr> <tr> <td>PZANGIROLAMI</td> <td>2014/09/16</td> </tr> </table>	DRAWN BY	DATE	FGOTTARDO	1989/06/30	CHECKED BY	DATE	MPREVIATO	1989/06/30	APPROVED BY	DATE	PZANGIROLAMI	2014/09/16	TITLE			
			mm	INCH																																		
		4 PLACES	± ---	± ---																																		
3 PLACES	± ---	± ---																																				
2 PLACES	± 0.10	± ---																																				
1 PLACE	± 0.20	± ---																																				
0 PLACE	±	±																																				
DRAWN BY	DATE																																					
FGOTTARDO	1989/06/30																																					
CHECKED BY	DATE																																					
MPREVIATO	1989/06/30																																					
APPROVED BY	DATE																																					
PZANGIROLAMI	2014/09/16																																					
		ANGULAR ± --- °	(see chart)																																			
		DRAFT WHERE APPLICABLE MUST REMAIN WITHIN DIMENSIONS																																				

CAPOCORDA AD OCCHIELLO  
RING TONGUE TERMINAL

**molex**

DOCUMENT NO. SD-94511-001

SHEET NO. 1 OF 1

THIS DRAWING CONTAINS INFORMATION THAT IS PROPRIETARY TO MOLEX INCORPORATED AND SHOULD NOT BE USED WITHOUT WRITTEN PERMISSION