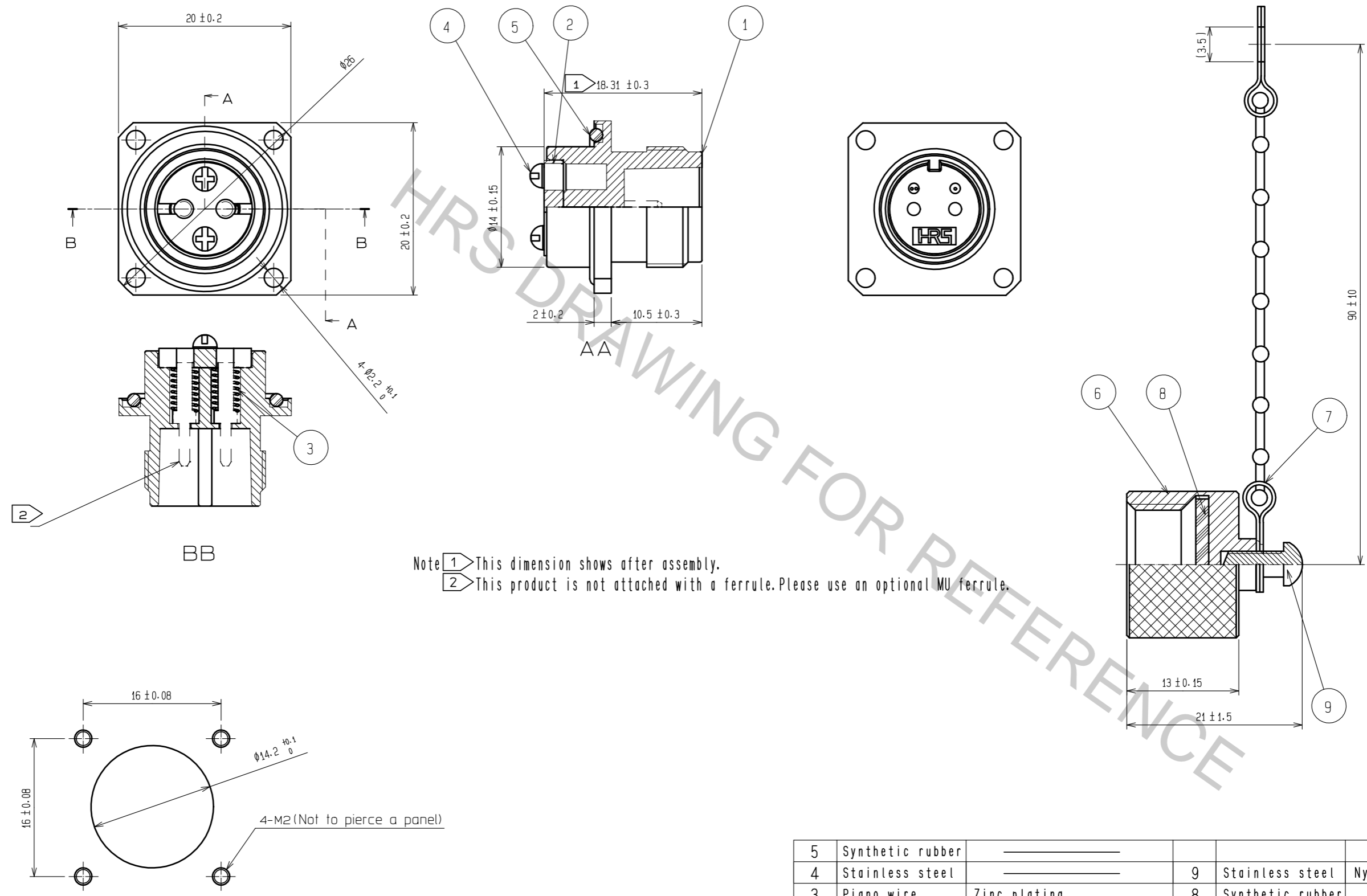


Aug.1.2018 Copyright 2018 HIROSE ELECTRIC CO., LTD. All Rights Reserved.
 In case that the application demands a high level of reliability, such as automotive,
 please contact a company representative for further information.



Note 1 This dimension shows after assembly.
 2 This product is not attached with a ferrule. Please use an optional MU ferrule.

5	Synthetic rubber						
4	Stainless steel		9	Stainless steel	Nyrock		
3	Piano wire	Zinc plating	8	Synthetic rubber			
2	Synthetic resin		7	Stainless steel			
1	Zinc die casting	Chrome plating (black)	6	Aluminum alloy	Anodic oxide coating (black)		
NO.	MATERIAL	FINISH . REMARKS	NO.	MATERIAL	FINISH . REMARKS		
UNITS	mm	SCALE	2 : 1	COUNT	DESCRIPTION OF REVISIONS	DESIGNED	CHECKED
				APPROVED	MT. SHIBUTANI	18.03.23	DRAWING NO.
				CHECKED	MT. SHIBUTANI	18.03.23	PART NO.
				DESIGNED	FS. YOSHIDA	18.03.22	NO.
				DRAWN	SR. TOYOKAWA	18.03.22	CODE NO.
						EDC-175689-31-00	
						MF10S-WDRF01-0200(31)	
						CL709-0204-5-31	1/1