

## Type 2 surge protection plug - VAL-US 120 ST - 2800739

Please be informed that the data shown in this PDF Document is generated from our Online Catalog. Please find the complete data in the user's documentation. Our General Terms of Use for Downloads are valid (<http://phoenixcontact.com/download>)



Surge protection plug type 2 with high-capacity varistor for VAL-MS base element, thermal monitoring, visual fault warning. Design: 120 V AC.

The figure shows the VAL-US 347 ST version



### Key commercial data

Packing unit	1 pc
Weight per Piece (excluding packing)	38.0 GRM
Custom tariff number	85363090
Country of origin	Germany

### Technical data

#### Dimensions

Height	52.4 mm
Width	17.5 mm
Depth	55.3 mm

#### Ambient conditions

Degree of protection	IP20
Ambient temperature (operation)	-40 °C ... 80 °C
Ambient temperature (storage/transport)	-40 °C ... 80 °C
Altitude	≤ 2000 m (amsl (above mean sea level))
Permissible humidity (operation)	5 % ... 95 %
Shock (operation)	25g
Vibration (operation)	5g

#### General

Standards/specifications	IEC 61643-11 2011
	EN 61643-11 2012

## Type 2 surge protection plug - VAL-US 120 ST - 2800739

### Technical data

#### General

IEC test classification	II
	T2
EN type	T2
SPD design	Voltage-limiting type
Mode of protection	L-PEN
	L-N
Mounting type	On base element
Color	black
Housing material	PA 6.6
Pollution degree	2
Inflammability class according to UL 94	V-0
Type	Male
Number of positions	1
Arrester can be tested with CHECKMASTER from software version:	From SW rev. 1.10
Surge protection fault message	Optical

#### Protective circuit

Nominal voltage $U_N$	120/208 V AC (TN)
Nominal frequency $f_N$	60 Hz (50 Hz)
Maximum continuous operating voltage $U_C$	175 V AC
Residual current $I_{PE}$	$\leq 0.45$ mA
Standby power consumption $P_C$	$\leq 80$ mVA
Nominal discharge current $I_n$ (8/20) $\mu$ s	20 kA
Maximum discharge current $I_{max}$ (8/20) $\mu$ s	40 kA
Short-circuit current rating $I_{SCCR}$	25 kA
Voltage protection level $U_p$	$\leq 0.9$ kV
Residual voltage $U_{res}$	$\leq 0.9$ kV (at $I_n$ )
	$\leq 0.75$ kV (at 10 kA)
	$\leq 0.6$ kV (at 5 kA)
	$\leq 0.55$ kV (at 3 kA)
TOV behavior at $U_T$	208 V AC (5 s / withstand mode)
	240 V AC (120 min / safe failure mode)
Response time $t_A$	$\leq 25$ ns
Max. backup fuse with branch wiring	125 A AC (gG)

#### Connection data

Connection method	VALVETRAB plug-in system
-------------------	--------------------------

## Type 2 surge protection plug - VAL-US 120 ST - 2800739

### Technical data

#### NEMA/UL protective circuit

UL class	Type 4 SPD for Type 2 applications
Maximum continuous operating voltage MCOV (L-N)	150 V AC
Nominal voltage $U_N$	120 V AC
Mode of protection	L-N
Power distribution system	1
Nominal frequency	50/60 Hz
Voltage protection rating VPR (L-N)	0.7 kV
Nominal discharge current $I_n$ (L-N)	20 kA

### Classifications

#### eCl@ss

eCl@ss 4.0	27140201
eCl@ss 4.1	27130801
eCl@ss 5.0	27130801
eCl@ss 5.1	27130801
eCl@ss 6.0	27130803
eCl@ss 7.0	27130803
eCl@ss 8.0	27130803

#### ETIM

ETIM 3.0	EC000472
ETIM 4.0	EC000472
ETIM 5.0	EC000472

#### UNSPSC

UNSPSC 6.01	30212010
UNSPSC 7.0901	39121610
UNSPSC 11	39121610
UNSPSC 12.01	39121610
UNSPSC 13.2	39121620

### Approvals

#### Approvals

---

#### Approvals

UL Recognized / cUL Recognized / CSA / cULus Recognized

# Type 2 surge protection plug - VAL-US 120 ST - 2800739

## Approvals

Ex Approvals

Approvals submitted

## Approval details

UL Recognized

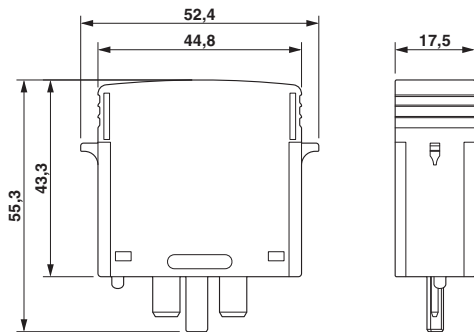
cUL Recognized

CSA

cULus Recognized

## Drawings

Dimensioned drawing



Circuit diagram

