

FIG 2
 PET-04-02-X-RA-LC SHOWN
 (SAME AS FIG 1, UNLESS OTHERWISE STATED)

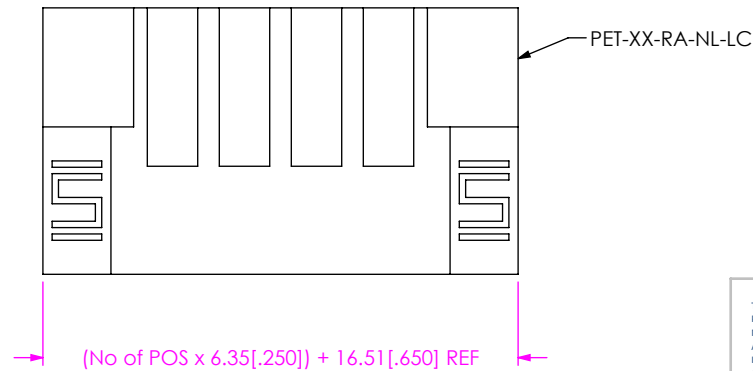
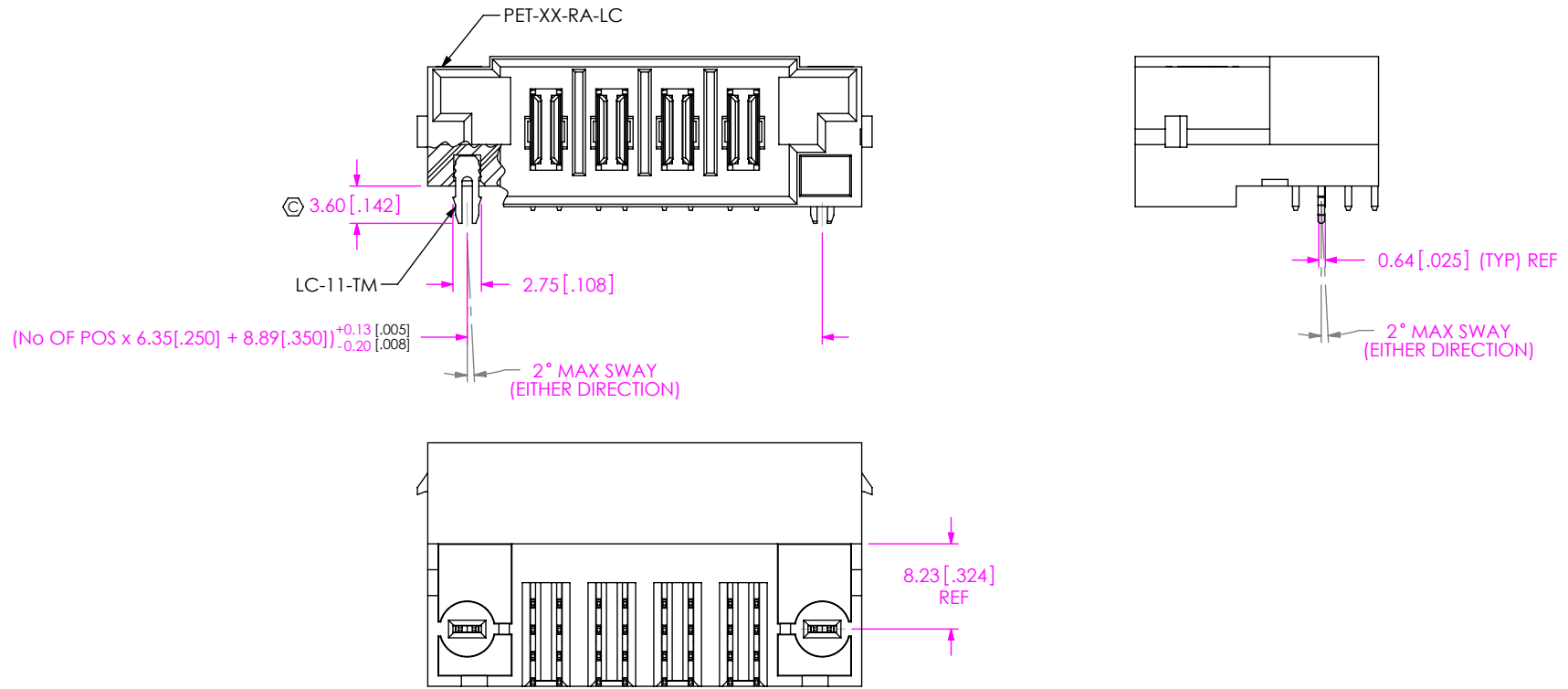
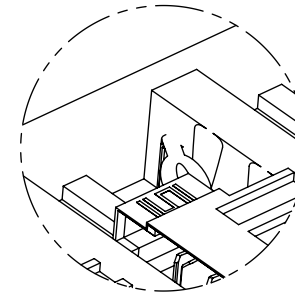
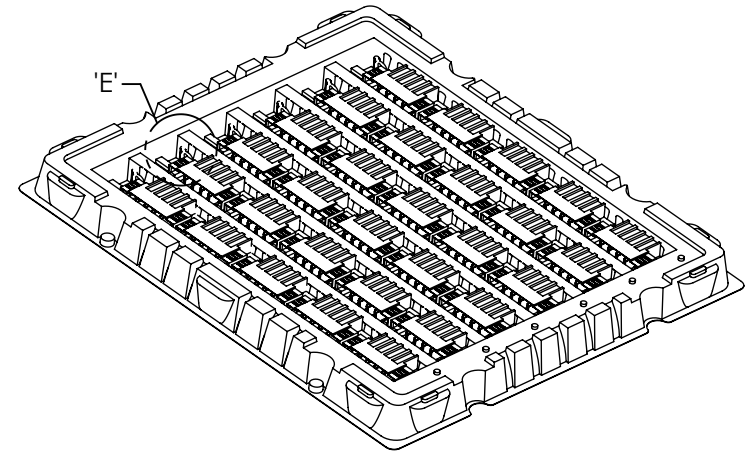
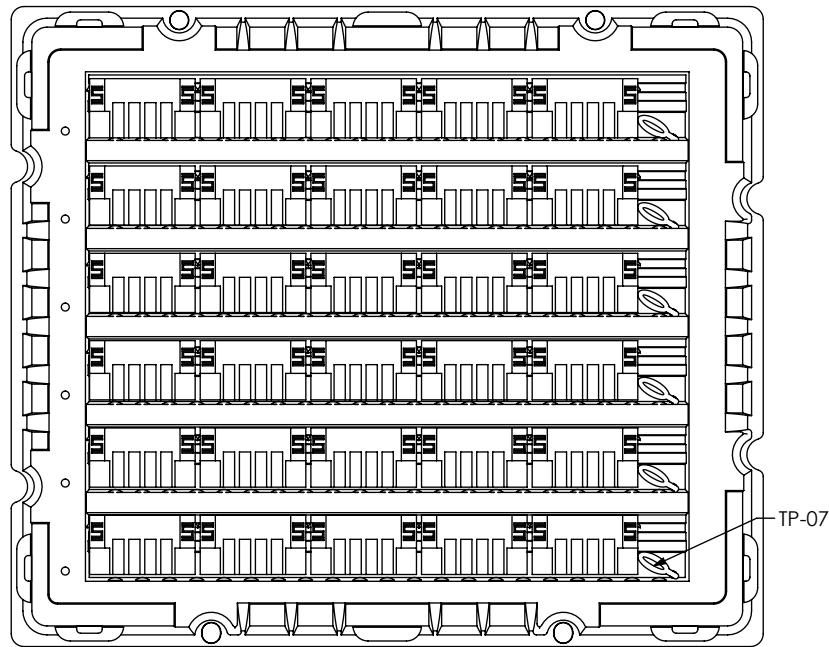


FIG 3
 -NL: OPTION
 PET-04-02-X-RA-NL-LC SHOWN
 (SAME AS FIG 1, UNLESS OTHERWISE STATED)

<p>DO NOT SCALE DRAWING</p> <p>SHEET SCALE: 1.5:1</p>	<p>PROPRIETARY NOTE</p> <p>THIS DOCUMENT CONTAINS CONFIDENTIAL AND PROPRIETARY INFORMATION AND ALL DESIGN, MANUFACTURING, REPRODUCTION, USE, PATENT RIGHTS AND SALES RIGHTS ARE EXPRESSLY RESERVED BY SAMTEC, INC. THIS DOCUMENT SHALL NOT BE DISCLOSED, IN WHOLE OR PART, TO ANY UNAUTHORIZED PERSON OR ENTITY NOR REPRODUCED, TRANSFERRED OR INCORPORATED IN ANY OTHER PROJECT IN ANY MANNER WITHOUT THE EXPRESS WRITTEN CONSENT OF SAMTEC, INC.</p>	<p>samtec</p> <p>520 PARK EAST BLVD, NEW ALBANY, IN 47150 PHONE: 812-944-6733 FAX: 812-948-5047 e-Mail: info@SAMTEC.com code: 55322</p>
	<p>DESCRIPTION:</p> <p>RIGHT ANGLE POWER TERMINAL</p>	<p>DWG. NO.</p> <p>PET-XX-XX-X-RA-XX-XX</p>
	<p>BY: CHAD F 3/28/2005</p>	<p>SHEET 2 OF 3</p>



DETAIL 'E'
SCALE 1:1

FIG 4
PACKAGE IN TRAYS AS SHOWN
TRAY VIEW
(SEE NOTE 5)

<p>PROPRIETARY NOTE</p> <p>THIS DOCUMENT CONTAINS CONFIDENTIAL AND PROPRIETARY INFORMATION AND ALL DESIGN, MANUFACTURING, REPRODUCTION, USE, PATENT RIGHTS AND SALES RIGHTS ARE EXPRESSLY RESERVED BY SAMTEC, INC. THIS DOCUMENT SHALL NOT BE DISCLOSED, IN WHOLE OR PART, TO ANY UNAUTHORIZED PERSON OR ENTITY NOR REPRODUCED, TRANSFERRED OR INCORPORATED IN ANY OTHER PROJECT IN ANY MANNER WITHOUT THE EXPRESS WRITTEN CONSENT OF SAMTEC, INC.</p>	<p>samtec</p> <p>520 PARK EAST BLVD, NEW ALBANY, IN 47150 PHONE: 812-944-6733 FAX: 812-948-5047 e-Mail: info@SAMTEC.com code: 55322</p>
<p>DO NOT SCALE DRAWING</p>	<p>DESCRIPTION: RIGHT ANGLE POWER TERMINAL</p>
<p>SHEET SCALE: 1:3</p>	<p>DWG. NO. PET-XX-XX-X-RA-XX-XX</p>
<p>BY: CHAD F</p>	<p>3/28/2005 SHEET 3 OF 3</p>