

Power Supply Cord with Shako Power (Mains) Plug, Angled



CEE 7 / VII



CEE 7 / VII / DIN
49441-R2



Description

- Power Supply Cord, Protection class I, Pin temperature 70 °C,
- Cable

Approvals

- VDE Certificate Number: 40005911

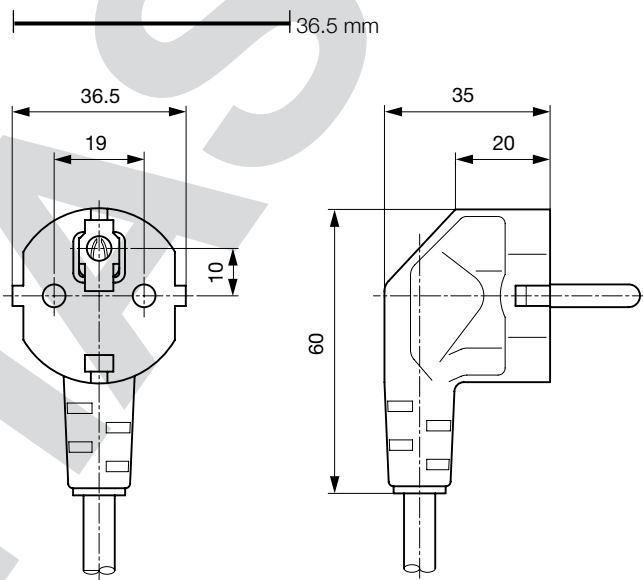
Weblinks

[pdf](#), [html](#), [General Product Information](#), [Approvals](#), [RoHS](#), [CHINA-RoHS](#), [Mating Connectors](#), [e-Shop](#), [SCHURTER-Stock-Check](#), [Distributor-Stock-Check](#), [Accessories](#), [Detailed request for product](#)

Technical Data

Ratings IEC	16 A / 250 VAC; 50 Hz
Ratings UL/CSA	16 A / 250 VAC; 60 Hz
Dielectric Strength	> 4 kVDC between L-N > 2 kVAC between L/N-PE (1 min/50 Hz)
Allowable Operation Temp.	-25 °C to 70 °C
Degree of Protection	from front side IP 20 acc. to IEC 60529
Protection Class	Suitable for appliances with protection class 1 acc. to IEC 61140
Terminal	moulded Ground terminal
Material: Housing	PVC, black or grey

Dimensions



Config. Code

422u - R - Type - D - Length

The characters are placeholders for the correspondingly keys of selections from the key tables.
Typ steht für die Dose bzw. 2. Seite, Länge ist die Leitungslänge in mm.

422u - **R** - Type - D - Length = cord type

cord type	Configuration key
H05VV-F 3G1,0mm2	I
H05VV-F 3G1,5mm2	K

Cord definition is detailed in general product information XXX

422u - R - **Type** - D - Length = Cord end 2

Cord end 2
zzzz, 1654, 2512, 2530, 3012, 3013, 3020, 3027, 3030, 311L, 312L

422u - R - Type - **D** - Length = Color

Color	Configuration key
Black	A
Grey	B
grey: RAL7032	E

Packaging unit 100 Pcs

422u - R - Type - D - **Length** = Cord length

Cord length
zzzz, 000500, 001000, 001500, 002000, 002500, 003000, 005000

Cord length in mm