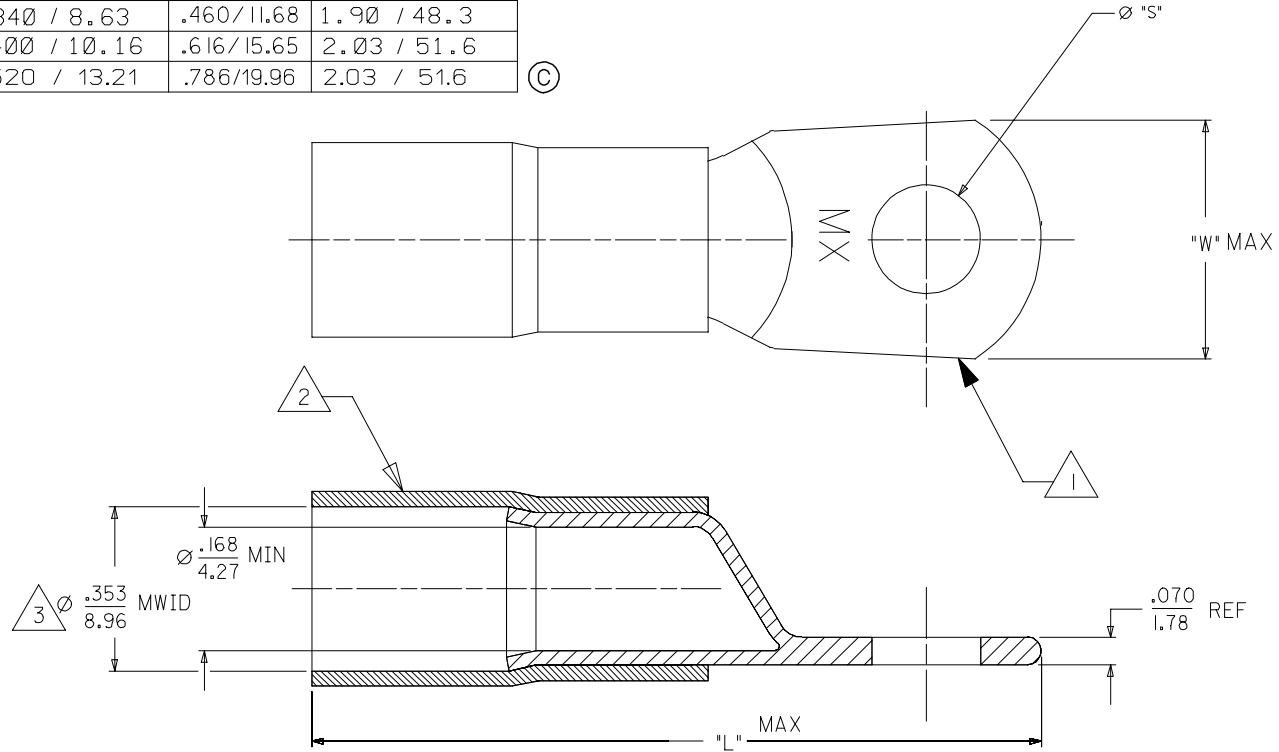


MATERIAL NUMBER	ENGINEERING NUMBER	STUD SIZE	"S" REF	"W" MAX	"L" MAX
191640840	SD-810	#10	.214 / 5.44	.460/11.68	1.90 / 48.3
191640884	SD-814	1/4	.278 / 7.06	.460/11.68	1.90 / 48.3
191640842	SD-8516	5/16	.340 / 8.63	.460/11.68	1.90 / 48.3
191640843	SD-838	3/8	.400 / 10.16	.616/15.65	2.03 / 51.6
191641007	SD-812-XWP-PL	1/2	.520 / 13.21	.786/19.96	2.03 / 51.6



NOTES:

- 1. MATERIAL: TERMINAL: COPPER. PLATING: TIN
- 2. INSULATION: HEAT SHRINKABLE TUBING W/HOT MELT ASHESIVE INNER LINER. COLOR: RED
- 3. MWID = MAXIMUM WIRE INSULATION DIAMETER.
- 4. ASSEMBLY IS ROHS COMPLIANT.

SALES DRAWING

ADDED MATL NO. & ROHS EC NO: ETC2007-0427 DRW: NEHLE 2007/05/18 CHKD: JMACNEIL 2007/05/21 APPR: JMACNEIL 2007/05/22	QUALITY SYMBOLS ▽=0 ▽=0	GENERAL TOLERANCES (UNLESS SPECIFIED)		DIMENSION STYLE	SCALE	DESIGN UNITS	THIRD ANGLE PROJECTION	
		mm	INCH	IN/MM	---	INCH		
		4 PLACES ± ---	± ---	DRAWN BY	DATE	TITLE		
		3 PLACES ± ---	± ---	BRE	04/02/11	RING TONGUE TERMINAL PERMA-SEAL 8 AWG NIAC		
2 PLACES ± ---	± ---	CHECKED BY	DATE	MATERIAL NO.			SHEET NO.	
1 PLACE ± ---	± ---	HEB	04/02/11	RWD			1 OF 1	
ANGULAR ± ---°		APPROVED BY	DATE	DOCUMENT NO.				
DRAFT WHERE APPLICABLE MUST REMAIN WITHIN DIMENSIONS		SEE CHART		SD-19164-066				
THIS DRAWING CONTAINS INFORMATION THAT IS PROPRIETARY TO MOLEX INCORPORATED AND SHOULD NOT BE USED WITHOUT WRITTEN PERMISSION								