

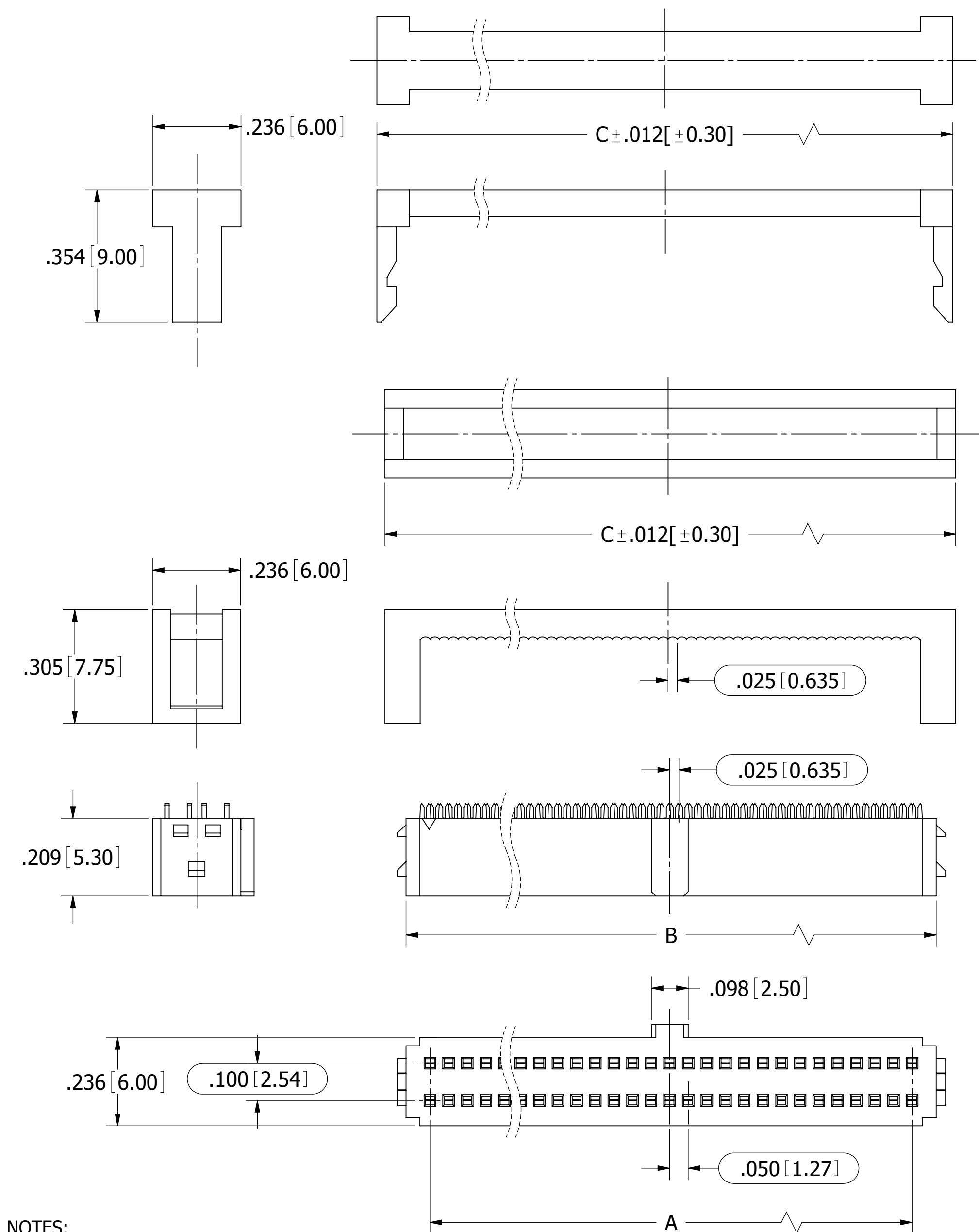
REVISIONS				
REV.	ECO. NO	DESCRIPTION	DATE	BY
E	2835	UPDATE NOTE 4(WAS OPERATING TEMP.: -40°C TO +85°C) AND NOTE 7(WAS INSULATOR RESISTANCE: 1,000M OHMS MIN.)	04/07/2014	LH
F	3009	ADD 07, 40 AND 50 POSITION OF DIMENSION IN TABLE	07/02/2014	LH
H	3219	UPDATE INSULATOR COLOR OPTIONS	12/04/2015	EP

PART NUMBER CODING SFH413-PP_B-D__-ID-BK

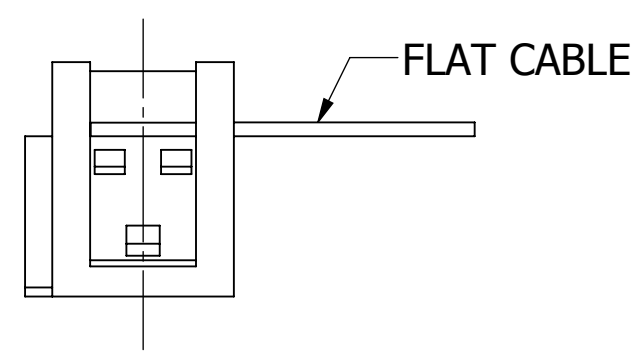
NUMBER OF POSITIONS
(CONTACTS PER ROW)

PLATING
P = GOLD FLASH OVERALL
E = .000100" PURE TIN, MATTE, OVERALL
V = GOLD FLASH ON CONTACT SURFACE,
NICKEL ON TERMINATION.

PART NUMBER	POSITIONS/ CONTACTS	A		B		C	
		INCH	MM	INCH	MM	INCH	MM
SFH413-PP_B-D05-ID-BK	05/10	0.200	5.08	0.329	8.35	0.443	11.25
SFH413-PP_B-D07-ID-BK	07/14	0.300	7.62	0.429	10.89	0.543	13.79
SFH413-PP_B-D08-ID-BK	08/16	0.350	8.89	0.479	12.16	0.593	15.06
SFH413-PP_B-D10-ID-BK	10/20	0.450	11.43	0.579	14.70	0.693	17.60
SFH413-PP_B-D13-ID-BK	13/26	0.600	15.24	0.729	18.51	0.843	21.41
SFH413-PP_B-D15-ID-BK	15/30	0.700	17.78	0.829	21.05	0.943	23.95
SFH413-PP_B-D17-ID-BK	17/34	0.800	20.32	0.929	23.59	1.043	26.49
SFH413-PP_B-D20-ID-BK	20/40	0.950	24.13	1.079	27.40	1.193	30.30
SFH413-PP_B-D25-ID-BK	25/50	1.200	30.48	1.329	33.75	1.443	36.65
SFH413-PP_B-D30-ID-BK	30/60	1.450	36.83	1.579	40.10	1.693	43.00
SFH413-PP_B-D34-ID-BK	34/68	1.650	41.91	1.779	45.18	1.893	48.08
SFH413-PP_B-D40-ID-BK	40/80	1.950	49.53	2.079	52.80	2.193	55.70
SFH413-PP_B-D50-ID-BK	50/100	2.450	62.23	2.579	65.50	2.693	68.40



- NOTES:
1. INSULATOR MATERIAL: PBT, BLACK
 2. CONTACT MATERIAL: PHOSPHOR BRONZE
 3. PLATING: SEE PART NUMBER CODING
 4. OPERATING TEMPERATURE: -40°C TO +105°C
 5. UL FLAMMABILITY RATING: 94V-0
 6. CURRENT RATING: 1 AMP
 7. INSULATION RESISTANCE: 500M OHMS MIN.
 8. DIELECTRIC WITHSTANDING: 500 VAC R.M.S. FOR ONE MINUTE
 9. CONTACT RESISTANCE: 30m OHMS MAX.
 10. MATES WITH SBH41 SERIES
 11. FOR .025" [0.635mm] PITCH FLAT CABLE, 30 AWG WIRE RANGE
 12. CONNECTOR WITH STRAIN RELIEF



UNLESS OTHERWISE SPECIFIED:
DIMENSIONS ARE IN INCHES [MM]

TOLERANCES:

ANGULAR:

DECIMALS
.XX = ± .012 [3]
.XXX = ± .008 [20]
.XXXX = ± .0040 [100]

DRAWN	DATE	NAME		
	06/03/2008	VJ		
<small>THE INFORMATION HEREIN CONTAINS PROPRIETARY INFORMATION OF SULLINS ELECTRONICS AND IS NOT TO BE REPRODUCED, USED OR DISCLOSED TO OTHERS FOR ANY PURPOSE EXCEPT AS SPECIFICALLY AUTHORIZED IN WRITING BY AN OFFICER OF SULLINS ELECTRONICS.</small>			TITLE HEADER FEMALE, .050" CC, SR	
PART NUMBER SFH413-PP_B-D__-ID-BK			REV H	
SIZE	CAGE CODE	DWG. NO.	SCALE: 4:1	
C	54453	11164	SHEET 1 OF 1	