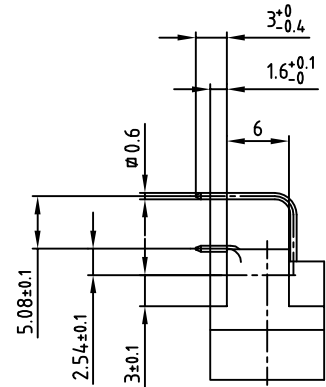
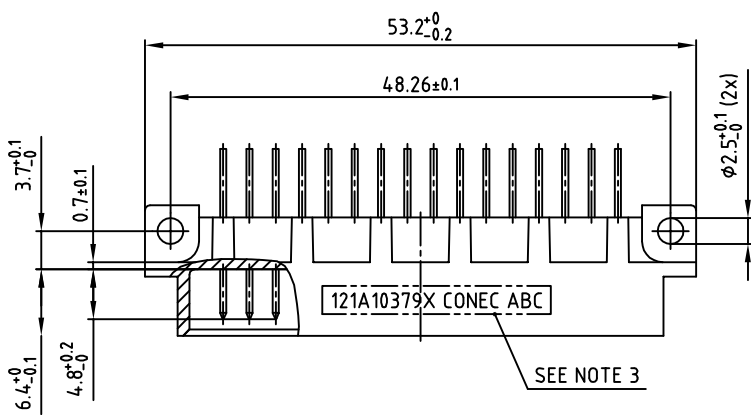
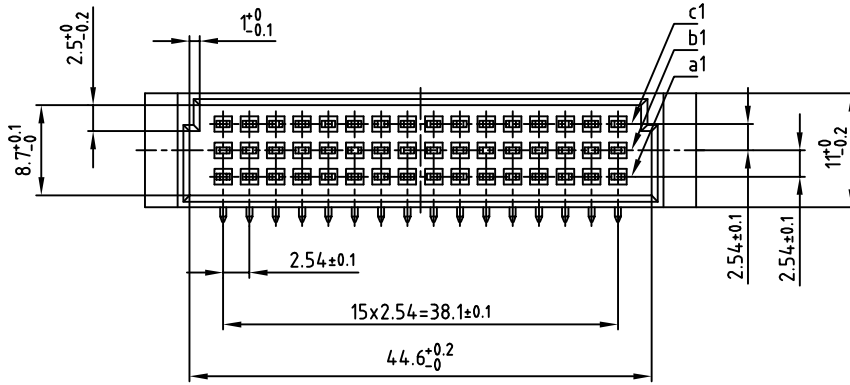


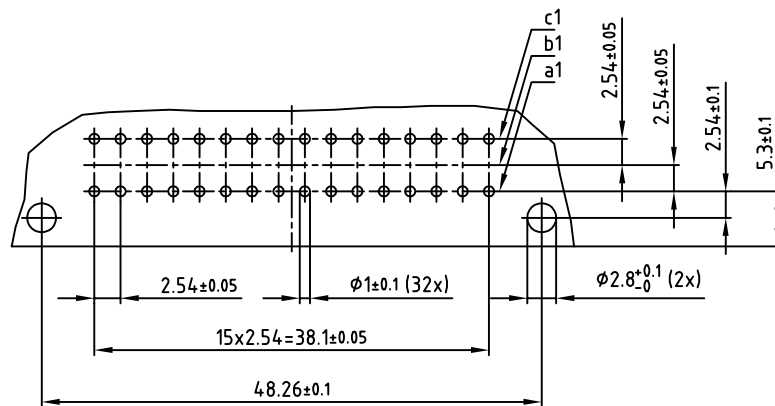
used for: DIN EN 60603-2 TYPE "C 1/2"



NOTES:

- 1. INSULATORS: PBT GF UL 94 V-0, GREY
- 2. CONTACTS: COPPER ALLOY  
PLATING: GOLD OVER NICKEL  
50 MATING CYCLES
- 3. CONNECTOR IS PART MARKED: 121A10379X CONEC ABC

P.C.B. HOLE DRILLINGS



Directive 2002/95/EC RoHS compliant

THIS DRAWING MAY NOT BE COPIED OR REPRODUCED IN ANY WAY, AND MAY NOT BE PASSED ON TO A THIRD PARTY, WITHOUT WRITTEN PERMISSION. OWNERSHIP AND COPYRIGHT OF CONEC Gmbh DO NOT ALTER CAD DRAWING BY HAND

rev.	description	date	name
a	Original		

tolerance		dim. in mm	
2011	date	name	
drawn	23.03.	Henneboel	
appd.	23.03.	Mickenbecker	
norm	DIN EN 60603-2		
d-old			

scale:	2:1	
material:	SEE NOTES	
title:	MALE CONNECTOR TYPE "C 1/2" 32pos. ANGLED	
dwg no:	12K1A721	DIN-A 3 sh: 1/1
part no:	121A10379X	