

6

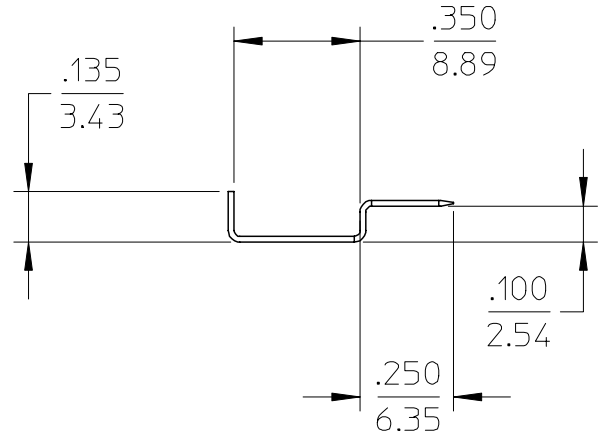
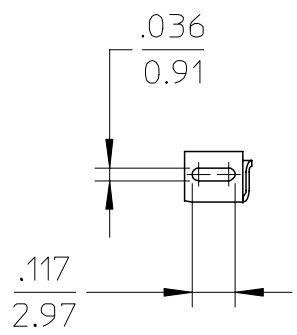
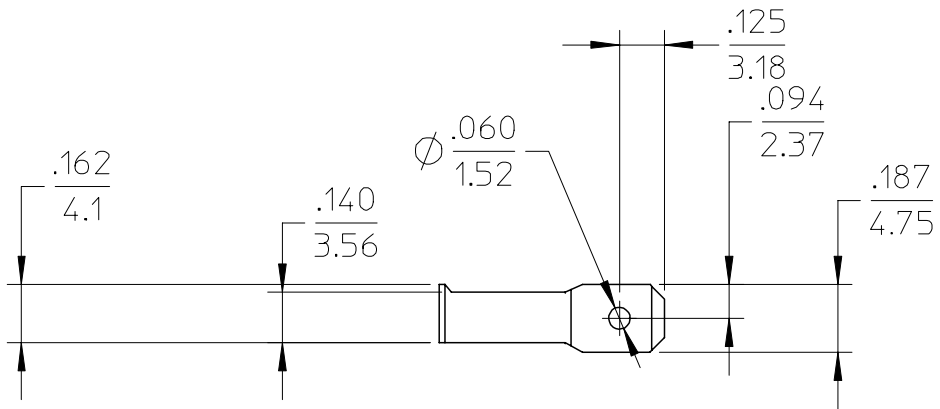
5

4

3

2

1



SALES DRAWING

MATERIAL:
CDA 26000 BRASS
THICKNESS: .016

RELEASE FOR PROD EC NO: ETC2006-0039 DRWN: JLOMASTRO 2005/09/13 CHKD: RDEROSS 2005/09/13 APPR: JPAWLICK 2005/09/14	DESCRIPTION
	QUALITY SYMBOLS
	▼=0
	▽=0
	REV

GENERAL TOLERANCES (UNLESS SPECIFIED)	mm	INCH
	4 PLACES ± ---	± ---
	3 PLACES ± ---	± .005
	2 PLACES ± 0.13	± .01
	1 PLACE ± 0.25	± ---
ANGULAR ± 1/2°		
DRAFT WHERE APPLICABLE MUST REMAIN WITHIN DIMENSIONS		

DIMENSION STYLE	
IN/MM	
DRAWN BY	DATE
JLOMASTRO	05/09/08
CHECKED BY	DATE
RDEROSS	05/09/08
APPROVED BY	DATE
RDEROSS	05/09/08
MATERIAL NO.	
190430007	
SIZE	
A	

SCALE	DESIGN UNITS	THIRD ANGLE PROJECTION
2:1	INCH	
TITLE		
BLADE MINI FUSE CONNECTOR		
MOLEX INCORPORATED		
DOCUMENT NO.	SHEET NO.	
SD-19043-004	1 OF 1	
THIS DRAWING CONTAINS INFORMATION THAT IS PROPRIETARY TO MOLEX INCORPORATED AND SHOULD NOT BE USED WITHOUT WRITTEN PERMISSION		

5

4

3

2

1