

Sub-bases for ISO size 1 control valves 5/2 and 5/3



Part numbers

Single sub-base (with clips) _____
 Single sub-base with side connections _____

81 543 006 **81 543 206**

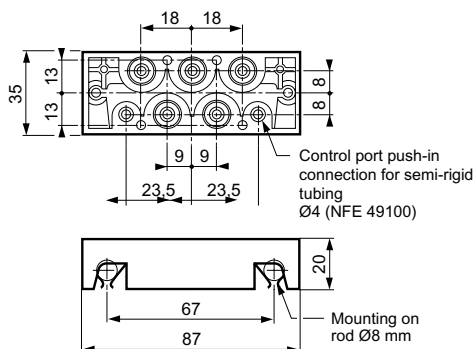
1

Characteristics

| | | | |
|------------|---|--------|--------|
| Connection | push-in for semi-rigid tubing (NFE49100) tapped hole | Ø 6 mm | Ø 8 mm |
| Weight | (grams) | 950 | 950 |

Dimensions

81 543 006 - 81 543 206



- Port
- 1= supply
 - 2= output port at rest
 - 3= exhaust port 2
 - 4= output port on actuation
 - 5= exhaust port of 4
 - 12= rest pilot
 - 14= actuation pilot

use (metric) dimensions for critical data

| Other information | To order, specify : | | | | |
|-------------------------------|--|-------------------|---|-------------------------------|--|
| | <table border="1" style="width: 100%;"> <tr> <td style="background-color: #e0e0e0;">Standard products</td> <td style="text-align: right;"> 1 Part number Example : Sub-bases for ISO control valves - 81 543 006 </td> </tr> <tr> <td style="background-color: #e0e0e0;">Standard products non-stocked</td> <td></td> </tr> </table> | Standard products | 1 Part number Example : Sub-bases for ISO control valves - 81 543 006 | Standard products non-stocked | |
| Standard products | 1 Part number Example : Sub-bases for ISO control valves - 81 543 006 | | | | |
| Standard products non-stocked | | | | | |

Products and specifications subject to change without notice.

Order/Technical Support – Tel: (800) 677-5311 / FAX: (800) 677-3865 / www.crouzet-usa.com