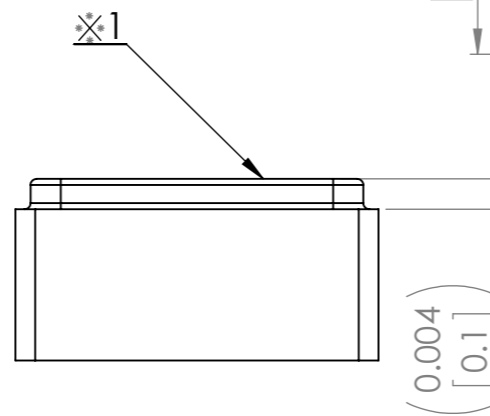
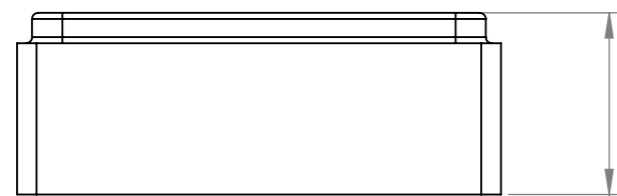
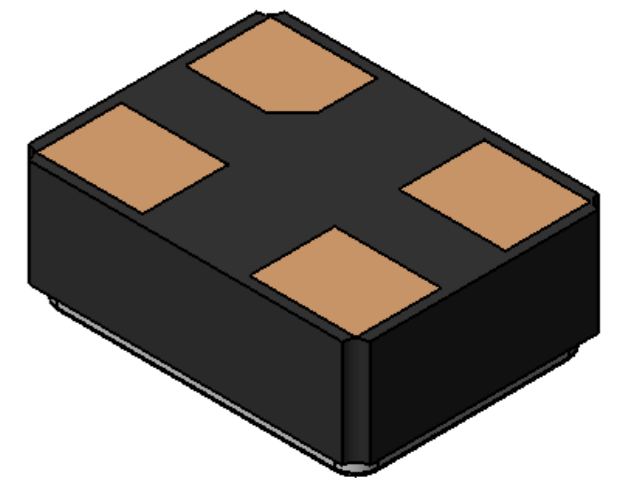
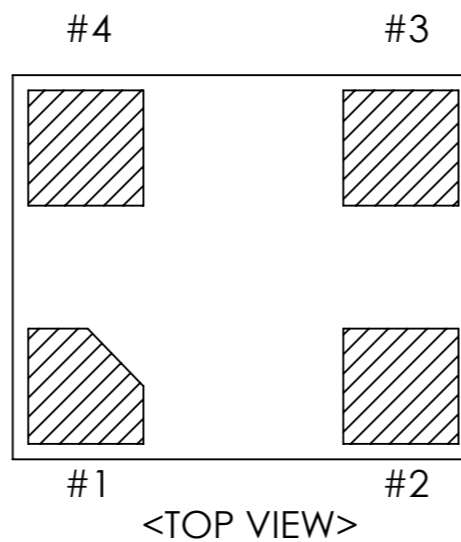
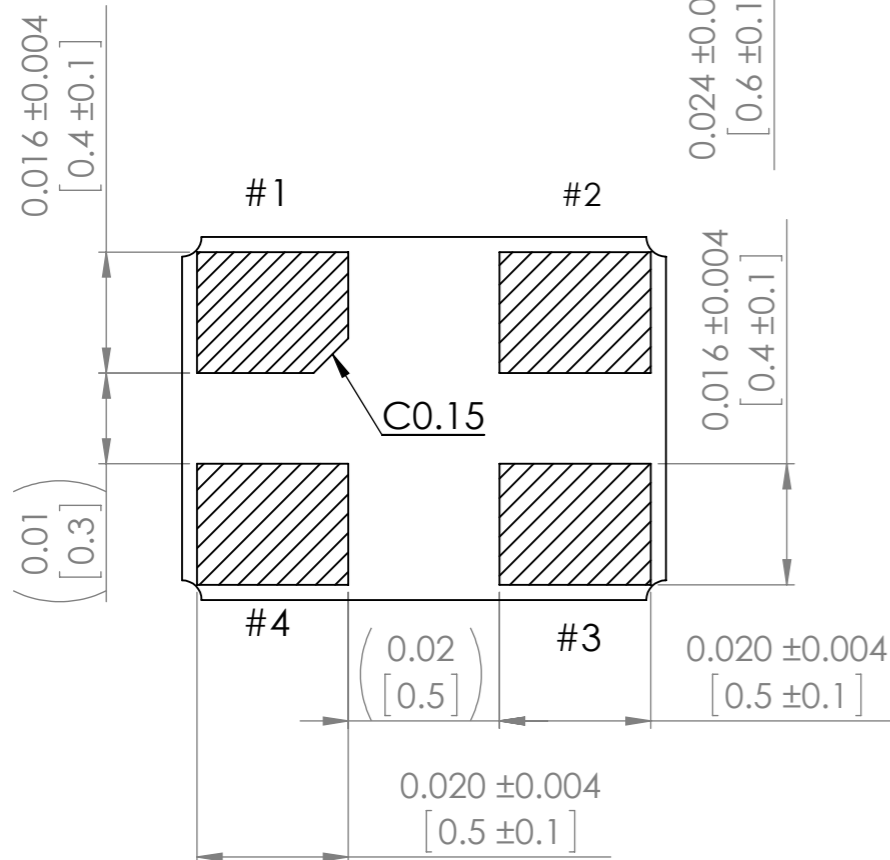


Land dimensions



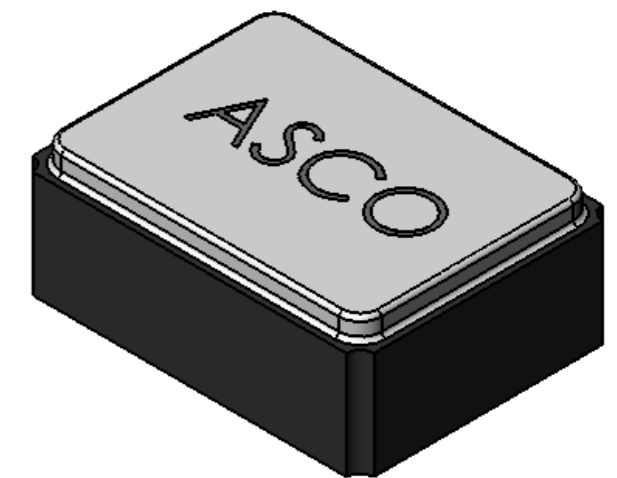
Terminal assignment




- #1: Stand-by
- #2: GND
- #3: Output
- #4: VDD

#2 IS CONNECTED TO
THE METAL LID (※1).

**TOP PACKAGE MARKING IS
FOR ILLUSTRATION PURPOSES ONLY**



UNLESS OTHERWISE SPECIFIED: DIMENSIONS ARE IN INCH(MM) SURFACE FINISH: TOLERANCES: LINEAR: ANGULAR:				FINISH:		DEBUR AND BREAK SHARP EDGES		DO NOT SCALE DRAWING		REVISION	
DRAWN SAAZVAT				SIGNATURE		DATE		 30332 Esperanza, Rancho Santa margarita, California 92688			
CHK'D XXXXXX								TITLE: ULTRA MINIATURE SMD CRYSTAL CLOCK OSCILLATOR			
APP'VD								DWG NO.		A3	
MFG								SCALE:40:1		SHEET 1 OF 1	
Q.A						MATERIAL:		ASCO			
						WEIGHT:					